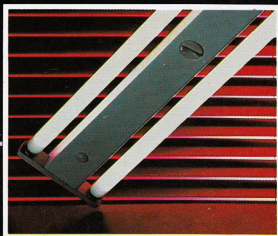
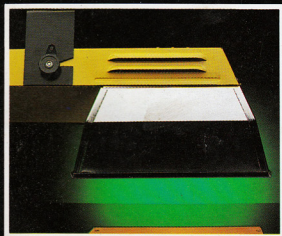
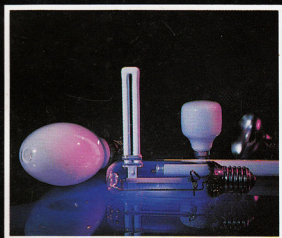
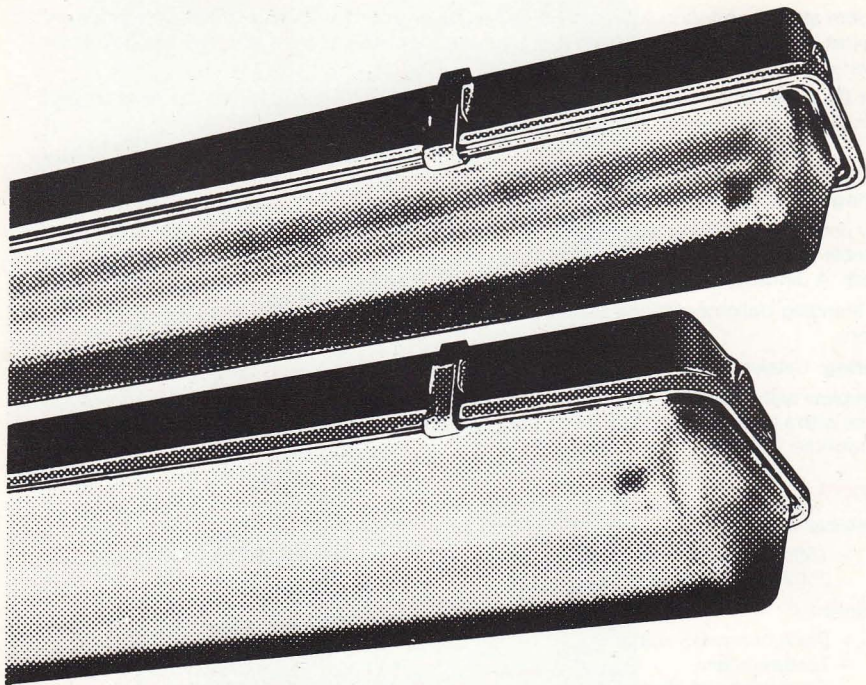


Osram-GEC

LIGHTING CATALOGUE

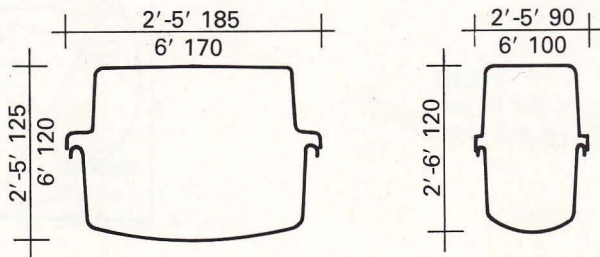


**LOOKING AT ENERGY SAVING
IN A DIFFERENT LIGHT.**



Typical Photometric Data

		FGRPSS15	FGRPSS25
Light output ratio	Up	18%	9%
	Down	56%	56%
Spacing to mounting height ratio		1.75 : 1	1.75 : 1
BZ Classification		6	5/1.5/6



A range of corrosion resistant fluorescent luminaires for use in adverse conditions of high humidity and corrosive atmospheres.

They are dustproof, splashproof and suitable for both indoor and outdoor use.

SPECIFICATION

Body: Single piece glass fibre reinforced polyester moulding. Each end has a 20mm plugged entry which can be removed for fitting a cable gland. Conduit entries can be drilled at standard fixing centres and washers are provided for sealing the entries. Holes, sealed by plugs are also provided, for screw fixing.

Reflector/Gear Tray: The stove enamelled white gear tray carries rotary type lampholders, and is fitted with 240V 50Hz switch start high power factor control gear prewired to a mains terminal block capable of accepting conductors having a total area of 6mm². Safety cords are fitted between the body and gear tray for ease of installation and maintenance.

Diffuser: The lamp compartment is enclosed by a clear internally patterned acrylic diffuser. This diffuser is held to the body against a Neoprene gasket by hinged polycarbonate toggles held captive to the body.

(Toggle catches are replaceable.)

DURALITE conforms to BS4533 101 1981.

Ingress Protection I.P.54.

Duralite with switch start control gear; supplied without tubes.

RANGE

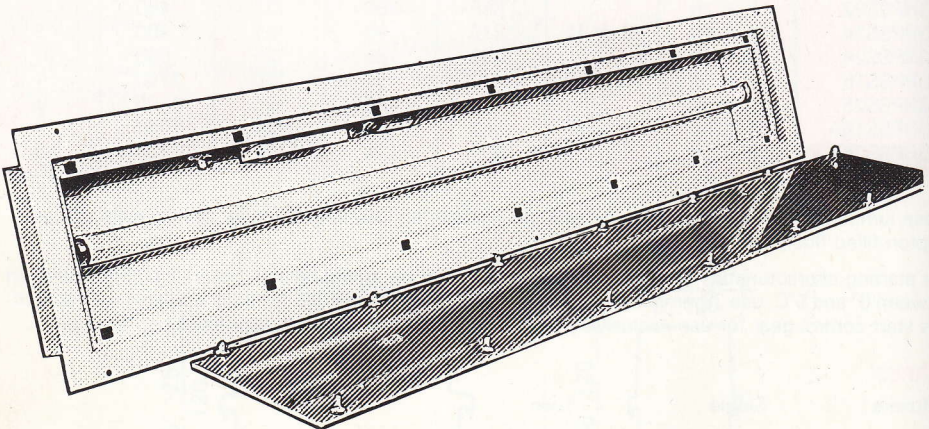
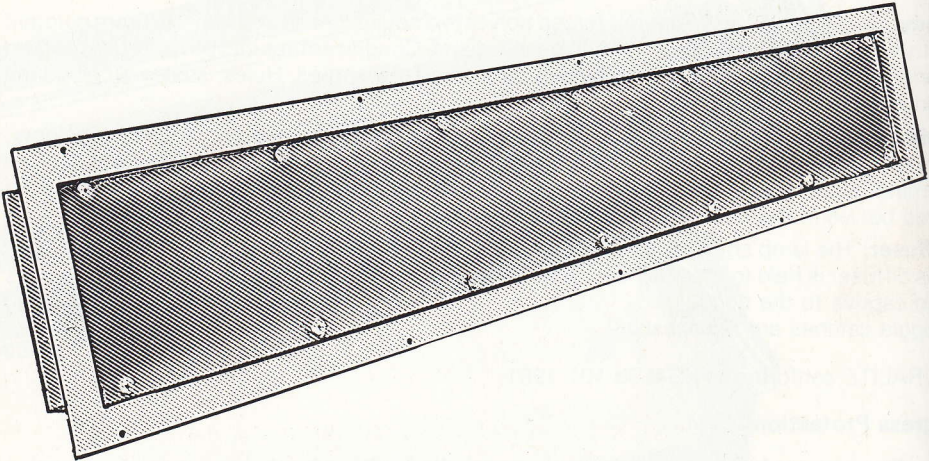
Catalogue No.	No & Size of Tubes	Tube Wattage	Overall Length mm	Overall Width mm	Overall Depth mm	Fixing Centres mm	Weight kg
FGRPSS12	1 × 2ft	18 or 20	660	90	120	500	2
FGRPSS22	2 × 2ft		685	185	125	460	4
FGRPSS14	1 × 4ft	36 or 40	1270	90	120	800	3
FGRPSS24	2 × 4ft		1295	185	125	800	6
FGRPSS15	1 × 5ft	58 or 65	1570	90	120	1100	4
FGRPSS25	2 × 5ft		1595	185	125	1100	8
FGRPSS16A	1 × 6ft	70 or 75	1850	100	120	1100	5
FGRPSS26A	2 × 6ft		1850	170	120	1100	10

These luminaires using switch start circuits are suitable for use with the new 26mm high efficacy Krypton filled fluorescent tubes.

The starting characteristics of these new tubes may not be totally reliable below 5°C. For operation between 0° and 5°C, use 38mm diameter tubes. Duralite luminaires are currently available with switchless start control gear for use exclusively with 38mm tubes. Details are available upon application.

SPARES

Diffusers:	Single	Twin
	FGRGRP12D	FGRGRP22D
	FGRGRP14D	FGRGRP24D
	FGRGRP15D	FGRGRP25D
	FGRGRP16D	FGRGRP26D
	FGRP16DA	FGRP26DA



Although designed as a luminaire for use in maintenance pits it can be used in many situations where a recessed fitting is specified which can be cleaned by hosing. It is suitable for indoor use in subways and under canopies.

Two versions are available.

F62285R with thick opal acrylic panel.

F62285RPC with thick polycarbonate panel. (Impact Resistant).

Note: It may not be used in an area specified as hazardous due to the presence of flammable vapours (i.e. Zones 1 and 2).

SPECIFICATION

Body: Fabricated from 1mm mild steel stove enamelled white. High power factor switchless start control gear to operate a 5' 65W tube is mounted on a channel welded to the body. A three way fused terminal block is fitted for use on 240V 50Hz supply.

Gear for other voltages and frequencies can be installed.

The front flange has five fixing holes down each side at 387mm centres. Two 20mm knockouts are provided for each end plate.

Glazing Panel: Held in a recess by seven nylon fasteners down each side against a closed polythene gasket.

The luminaires must be mounted with the drain holes at the bottom of the fitting.

Complies with BS4533.

Ingress Protection I.P.45

To meet I.P. 45 rating the fixing flange of the luminaire and supporting surface must be sealed.

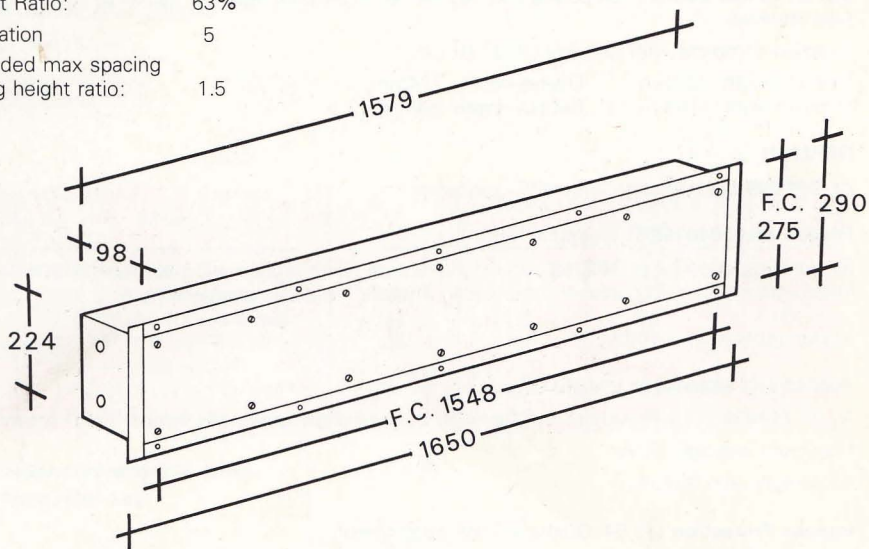
Ambient temperature 25°C.

Typical Photometric Data

Light Output Ratio: 63%

BZ Classification 5

Recommended max spacing to mounting height ratio: 1.5



For fluorescent tubes see pages 198 to 201.