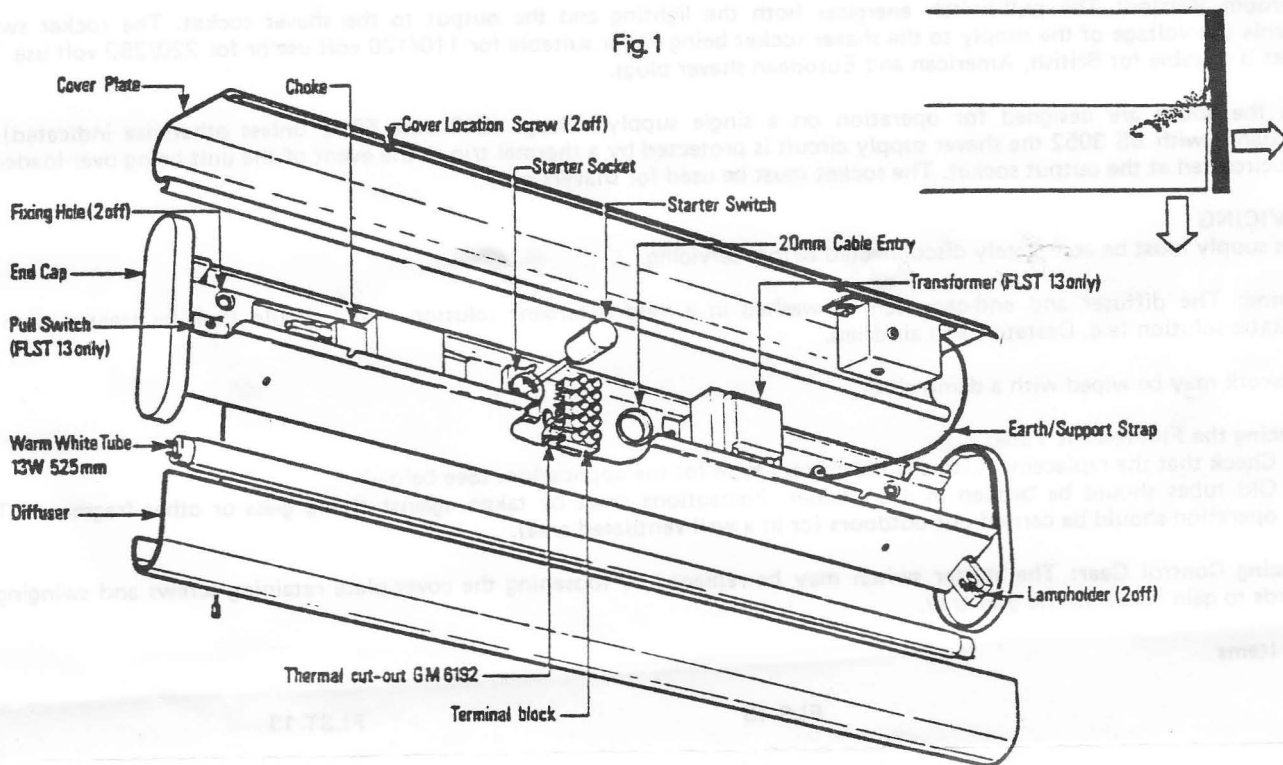


Installation and Wiring Instructions for

VIEWPOINT 2 FLS/FLST

THORN

Fig. 1



In the interests of Safety it is essential that the mains supply is disconnected before relamping or servicing the luminaire. If in doubt consult a qualified electrician.

APPLICATIONS

Designed for use in hotels, hostels and homes.

The bedroom version (catalogue number FLS 13) is suitable for normal dry atmospheres. It must not be used in bathrooms.

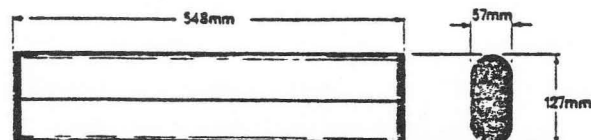
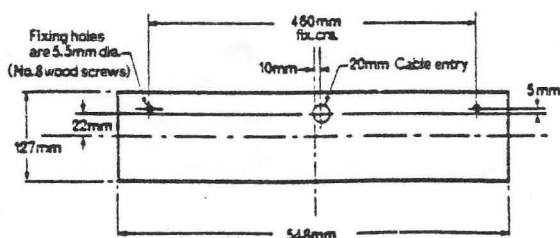
For bathrooms the dual output voltage version with safety isolating transformer (catalogue number FLST 13) must be used.

Maximum ambient temperature = 25°C.

INSTALLATION

1. Remove diffuser by easing back the spring-loaded end-caps.
2. Remove fluorescent tube by rotating it through 90° in the lampholder.
3. Slacken the retaining screws which hold the aluminium cover-plate in position. Swing cover-plate upwards and remove from back-plate (The two parts will remain joined by the support strap).
4. Switch off mains supply.
5. Fix luminaire. Fig. 2 shows the mains cable entry and fixing centres.
6. Connect mains supply ensuring correct cables are put into live (L), Earth and Neutral (N) terminals.
7. Replace aluminium cover-plate ensuring that supply wires to shaver socket and rocker switch are not trapped. The cover-plate is replaced by reversing the operations in stage 3 above.
8. Insert fluorescent tube. Check that it is fully located before continuing.
9. Fit diffuser attachment.
10. Switch on Mains and test.

Fig. 2



SAFETY

These luminaires have been manufactured in accordance with BS 4533.2.2.

CLASSIFICATION OF PROTECTION

1. Against electric shock – Class 1 earthed metalwork – this luminaire must be adequately earthed.
2. Ingress of dust and moisture – IP20 ordinary luminaire.

IN USE

Bedroom Version: The rocker switch energises both the lighting and the output to the shaver socket. The socket is suitable for British, American and European shaver plugs.

Bathroom Version: The pull-switch energises both the lighting and the output to the shaver socket. The rocker switch controls the voltage of the supply to the shaver socket being either suitable for 110/120 volt use or for 220/250 volt use. The socket is suitable for British, American and European shaver plugs.

Both the above are designed for operation on a single supply voltage (240 volt 50Hz unless otherwise indicated). In accordance with BS 3052 the shaver supply circuit is protected by a thermal trip in the event of the unit being over-loaded or short-circuited at the output socket. The socket must be used for shavers only.

SERVICING

Mains supply must be completely disconnected before servicing.

Cleaning: The diffuser and end-caps can be washed in a mild detergent solution. They should then be treated with an anti-static solution (e.g. Destatol) and air-dried.

Metalwork may be wiped with a damp cloth.

Replacing the Fluorescent Tube:

1. Check that the replacement tube is the correct type for the application. (See below).
2. Old tubes should be broken in a container. Precautions must be taken against flying glass or other fragments. The operation should be carried out outdoors (or in a well-ventilated area).

Replacing Control Gear: The starter switch may be replaced by loosening the cover-plate retaining screws and swinging it upwards to gain access to the gear tray.

Spare Items

	FLS 13	FLST 13
Choke	GCJX 13	GCJX 13
Lampholder	GB 1598	GB 1598
Starter Switch	155/500	155/500
Starter Socket	GA 5132	GA 5132
Transformer	—	3230/5010
Diffuser (including end-caps)	FLS 4600	FLS 4600
Pull Switch	—	GS 5139
Rocker Switch	GS 5154	GS 5162
Shaver Socket	FTD 1314	FTD 1313
Fluorescent Tube	Warm White 21" 13W (525mm)	Warm White 21" 13W (525mm)

The right is reserved to change specifications without prior notification or public announcement.