

**THORN
LIGHTING
LTD.**

**COMPREHENSIVE
LIGHTING
CATALOGUE
1971/72**



Introduction

The lighting fittings illustrated in these pages cover an enormous range: there is a fitting for every purpose and to suit every pocket.

The leading position of Atlas fittings is due to exceptional standards of design and of production. Only the best materials are used, and all fittings are designed to please the eye. All fittings are initially subjected to rigorous photometric and physical tests, and periodic tests are also made and all are designed to please the eye.

The following ranges are shown in this section.

1. Popular Pack (pp 1:3 to 1:20) A range of inexpensive but well made and elegant fittings suitable for most commercial and industrial installations. A simple backspine forms the basis for a variety of diffusers and light controllers.

2. New Arrowslim Minipack & Nomad (pp 1:21 to 1:28) Slender backspines designed to take the smaller diameter and shorter fluorescent lamps. These fittings have a number of applications in the commercial field.

3. Invincible Range (pp 1:30 to 1:42) Special purpose fittings designed to give satisfactory performance under arduous conditions. Flameproof, dust-tight, weatherproof and similar types.

4. New Atlantic Range (p.1:41 to 1:63) A wide range of commercial and industrial fittings for situations where price is less important than elegant appearance, silent operation, rugged construction and fitness of purpose.

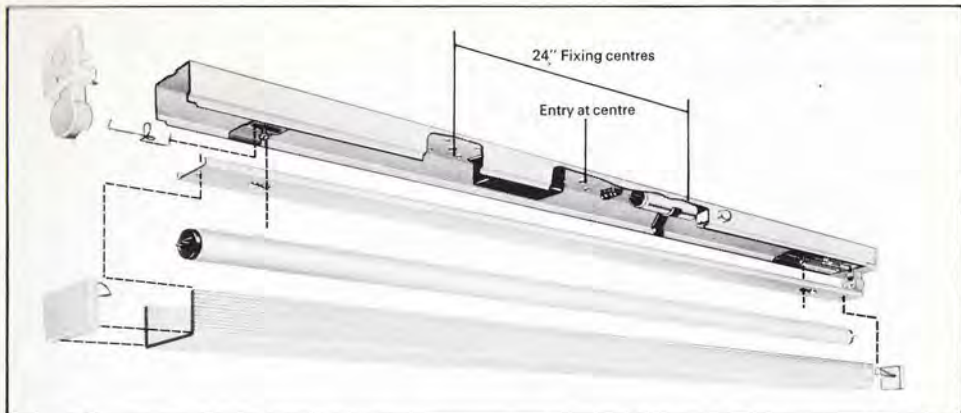
Format Range (pp 1:65 to 1:75) Modular fittings, both recessed and surface-mounted, designed to suit both metric and imperial modular ceilings. Diffusing and prismatic enclosures are securely held by simple yet effective methods.

Airlume (pp 1:76 to 1:79) A range of low brightness and diffusing air-handling modular fittings.

Metrilux Ceiling System (pp 1:80 to 1:81) An integrated ceiling grid and lighting system.

Trunking Systems (1:82 to 1:90) Trakline, the most versatile busbar trunking system sold at the most economical price and the well tried and proved lightweight trunking, Liteline and Atlantic trunking systems.

Index	Atlas Popular Pack Fittings
1:3	Introduction – the top ten
1:4	Popular Pack (PP) single and wide twin batten fittings
1:5	Popular Pack (XPP) Slim Twin batten fitting
1:6	Popular Pack (PPA & PPTA) single and twin Angle reflector fittings
1:7	Popular Pack (PPC) single and twin Prismatic controller fittings
1:8	Popular Pack (PPL) single Prismatic controller fittings
1:9	Popular Pack (PPD) single and twin Plastic diffuser fittings
1:10	Popular Pack (PPM) single Plastic diffuser fittings
1:11	Popular Pack (PPE) single and twin Opal sided prismatic controller fittings
1:12	Popular Pack (PPO & PPTO) single and twin Plastic trough reflector fittings
1:13	Popular Pack (PPR) single and twin Metal reflector fittings
1:14	Popular Pack (PPT) 'Twindustrial' Twin Reflector fittings
1:15	Popular Pack (PPU) "Sentinel" single and twin anti corrosive fittings
1:16	Popular Pack One-Plus-One attachment
1:17	Popular Pack Clipluve Sectional louvres
1:18	Popular Pack Accessories
1:19	Popular Pack Circuits Data
	New Arrowslim Minipack and Nomad Ranges
1:20	New Arrowslim batten fittings, AS30 & AS50.
1:21	New Arrowslim and attachments ASG, ASD & ASC
1:22	New Arrowslim and attachments, ASU, ASF.
1:23	New Arrowslim and attachments, ASA, ASB, ASR
1:24	New Arrowslim attachment ASK, ASKH SD
1:25	Atlas Minipack (LJ series) batten fitting
1:26	Atlas Minipack (LJA & LJN) raffia and opal plastic attachments
1:27	Nomad 12V and 24V Miniature lighting fittings
1:28	Atlas Suspension sets



TOP FEATURES

Extensive range of 8 ft., 6 ft., 5 ft., 4 ft. and 2 ft. single and twin tube fittings finished in stark white stoved enamel.

All fittings completely wired and fully tested to ensure reliable performance and quality.

Supplied complete with high efficiency white tube(s).

Diffusers and prismatic controllers in light stabilised polystyrene with spring-mounted end plates.

Spring-mounted lampholders with knock-outs for end entry.

Solid filled control gear for long life and reliable operation.

Three way mains terminal block.

Time and money is saved by the fast fixing features of Popular Packs.

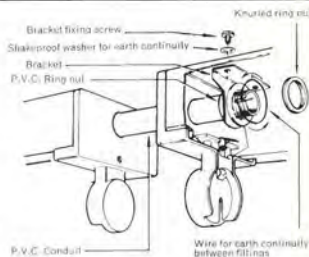
Slim-Twin types designed specifically for industrial use.

All fittings are power factor corrected except the 2 ft. single. The 8 ft. fittings operate at 0.66 leading.

Three year guarantee

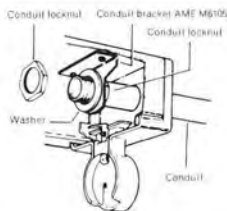
The Popular Pack is guaranteed for a period of three years from date of purchase.

The guarantee includes the metal spine, control gear, internal wiring and accessories, but excludes the starter switch and fluorescent tube which are subject to separate guarantees. In the event of the fitting, or any components thereof becoming faulty after installation and during the period of guarantee, the fitting or component (with the exception of the starter switch and fluorescent tube) will be *repaired or replaced at the Company's discretion* at no charge, provided it has been used correctly and returned carriage paid and adequately packed to the nearest Company depot.



AMEM 6100

Continuous Mounting Coupler used to maintain the correct spacing in continuous runs of single or wide twin fittings with or without attachments. This accessory can also be used for through-wiring providing the correct grade of high temperature cable is used.



AMEM 6105

End Conduit Bracket is used when single or wide twin fittings are installed on surface conduit systems or where conduit is required to enter at the end of the fitting.

This component is not needed for slim twin fittings.



AMEM 6101

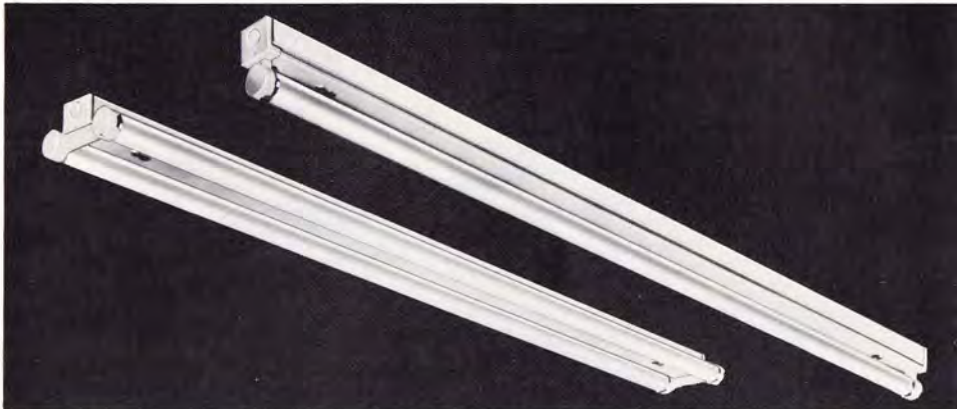
Pattress Block Cover can be used to shield a conduit box or alternatively to cover marks left on the ceiling by original fitting or ceiling plate.

atlas

Popular Pack batten fittings

PP265

PP65



The Popular Pack batten is available in 2ft, 4ft, 5ft, 6ft and 8ft single tube and twin tube fittings. The batten is packed complete with tube(s) in the same carton which effectively reduces handling costs. Spring-loaded lampholders are incorporated which embrace the lamp cap to prevent any strain on the lamp pins. Relamping from either end is possible even on 8ft fittings.

The spine totally encloses the control gear and the cover plate is speedily detached.

The starter switch is readily accessible through the side of the fitting.

End conduit entry is achieved through knock-outs in the ends of the lampholders and a bracket - Cat. no. AMEM6105 - is available free of charge to secure the conduit into the fitting.

Through-wiring facilities are available using the end entries and accessory Cat. no AMEM6100.

For continuous mounting a space of $\frac{1}{2}$ in between battens and trough reflectors and $1\frac{1}{2}$ in between diffusers is essential so that correct maintenance can be performed. Fittings are finished in stark white stove enamel for maximum reflection and efficiency.

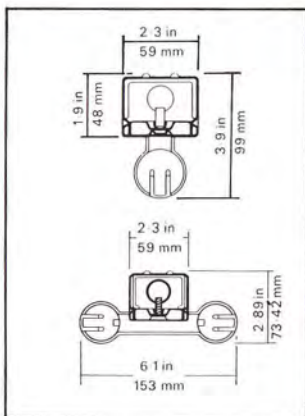
These fittings comply fully with BS 3820:1964 for Class 1, ordinary, indoor, normal atmospheres.

SUPPLY VOLTAGE

Standard fitting 230/240V 50Hz— other 50Hz voltages shown to order at no extra charge.

20W 2ft } 200/210V, 220V and 250V
40W 4ft }
65W 5ft }

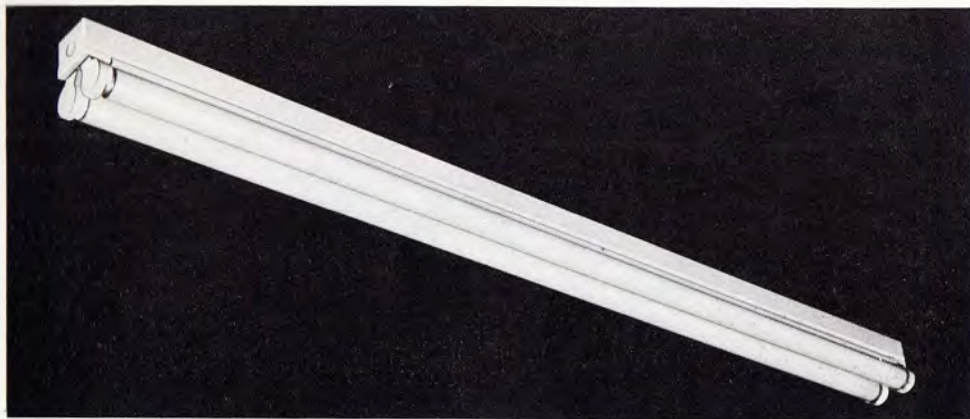
Details of fittings for other supplies on page 1:19.



RANGE.

Nom. length	Rating	Circuit	Cat. no.	Length		Weight (inc. Tubes)		Fixing centres	
				in	mm	lb	kg	in	mm
2ft	20W Single	Switchstart	PP.20	24.2	615	4.0	1.8	19.7	500
2ft	20W Twin	Switchstart	PP.220	24.2	615	4.75	2.16	19.7	500
4ft	40W Single	Switchstart	PP.40	48.2	1224	5.75	2.6	24.0	610
4ft	40W Twin	Switchstart	PP.240	48.2	1224	9.0	4.1	24.0	610
5ft	65W Single	Switchstart	PP.65	60.1	1525	7.5	3.4	24.0	610
5ft	65W Twin	Switchstart	PP.265	60.1	1525	12.0	5.45	24.0	610
6ft	85W Single	Resonant Start	PPQ.685	70.4	1788	9.5	4.32	24.0	610
6ft	85W Twin	Resonant Start	PPQ.2685	70.4	1788	14.75	6.7	24.0	610
8ft	125W Single	Switchstart	PP.125	94.4	2398	11.5	5.23	48.0	1220
8ft	125W Twin	Switchstart	PP.2125	94.4	2398	17.5	7.95	48.0	1220

Popular Pack slim twin batten fittings



This twin batten is designed with closely spaced lampholders and is the basis of a number of reflector fittings in the Popular Pack range.

Since it is intended for industrial use, the ends of the fitting are provided with knockouts permitting direct end to mounting.

Battens are made of sheet steel, bonderized and finished stark white.

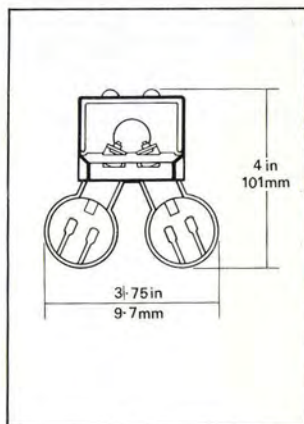
These fittings comply fully with BS 3820:1964 for Class 1 ordinary indoor, normal atmospheres.

SUPPLY VOLTAGE

Standard fittings 230/240 Hz. The fittings listed below can be supplied to order at the voltages shown at no extra charge.

4ft 40W 200/210, 220 & 250V
5ft 65W

Details of fittings for other supplies on page 1:20.



RANGE: These fittings are packed complete with white tubes.

Nom. Length	Rating	Circuit	Cat. no.	Length		Weight (inc. tubes)		Fixing Centres	
				in	mm	lb	kg	in	mm
4ft	40W Twin	Switchstart	XPP/240	48.8	1241	9.0	4.1	24	610
5ft	65W Twin	Switchstart	XPP/265	60.8	1545	12.0	5.45	24	610
6ft	85W Twin	Resonant start	XPP/Q2685	71.1	1806	14.75	6.7	24	610
8ft	125W Twin	Switchstart	XPP/2125	95.1	2416	17.5	7.95	48	1220

Popular Pack PPA and PPTA angle reflector

PPA65



These are asymmetrical metal reflectors attached to the Popular Pack spine by means of screws fitted into slideable spring nuts retained in the spine. These screws engage into keyhole slots in the reflectors. Applications – blackboards, wall charts, shop window lighting, etc. Reflectors are finished in stark white stoved enamel for maximum reflection and fittings may be close ceiling or conduit mounted.

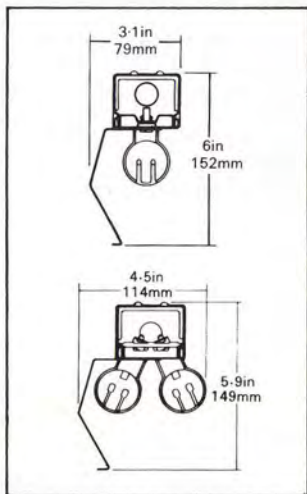
These fittings comply fully with BS 3820:1964 for Class 1, ordinary, indoor, normal atmospheres.

SUPPLY VOLTAGE

Standard fittings 230/240V 50Hz—
Fittings listed below can be supplied at the voltages shown to order at no extra charge.

40W 4ft } 200/210V, 220V and 250V
65W 5ft } 50Hz

Details of fittings for other supplies on page 1:19.



RANGE These fittings are packed complete with white tubes.

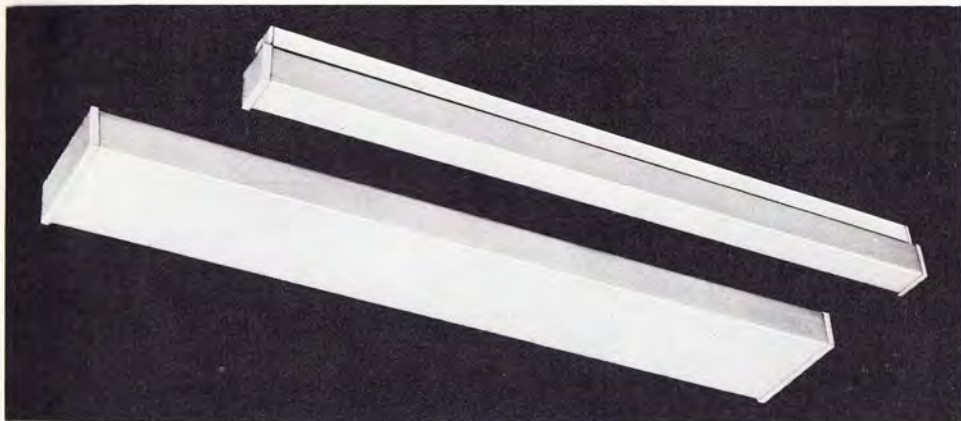
Nom. length	Rating	Circuit	Cat. no.	Length		Weight		Fixing centres		Reflector Cat. no.
				in	mm	lb	kg	in	mm	
4ft	40W Single	Switchstart	PPA/40	48.2	1124	8.75	4.0	24	610	PPA.4
4ft	40W Twin	Switchstart	PPTA/240	48.8	1241	11.0	5.0	24	610	PPA.24
5ft	65W Single	Switchstart	PPA/65	60.1	1525	11.25	5.1	24	610	PPA.5
5ft	65W Twin	Switchstart	PPTA/265	60.8	1545	13.7	6.3	24	610	PPA.25
6ft	85W Single	Resonant Start	PPA/Q685	70.4	1788	13.25	6.0	24	610	PPA.6
6ft	85W Twin	Resonant Start	PPTA/Q2685	71.1	1806	16.5	7.5	24	610	PPA.26
8ft	125W Single	Switchstart	PPA/125	94.4	2398	17.25	7.85	48	1220	PPA.8
8ft	125W Twin	Switchstart	PPTA/2125	95.1	2416	22.0	9.7	48	1220	PPA.28

atlas

Popular Pack PPC prismatic controller fittings

PPC/265

PPC/65



These attachments are made of transparent extruded plastic with side prisms, the base is embossed with a fine prismatic pattern. They are quickly attached or detached from the batten by the 'clip on' action of the endcaps.

These fittings comply fully with BS 3820:1964 for Class 1, ordinary, indoor normal atmospheres.

SUPPLY VOLTAGE

Standard fitting 230/240V 50Hz.

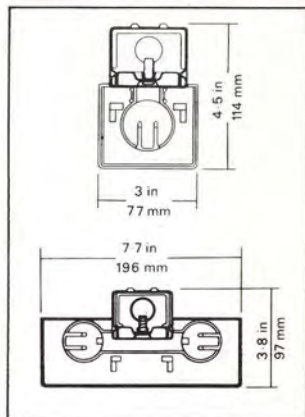
Fittings listed below can be supplied

to order at the voltages shown at

no extra charge.

20W 2ft } 200/210V, 220V and 250V
40W 4ft } 50Hz
65W 5ft }

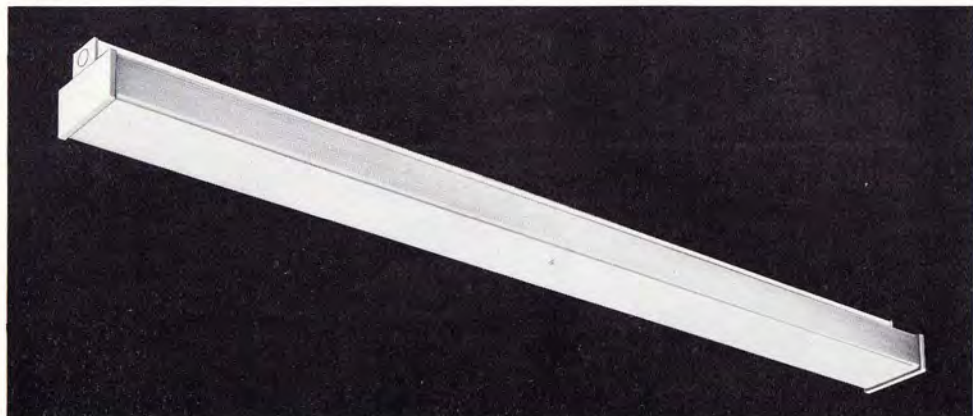
Details of fittings for other supplies on page 1:19.



RANGE. These fittings are packed complete with White tube(s).

Nom. length	Rating	Circuit	Cat. no.	Length in	mm	Weight lb	kg	Fixing centres in	mm	Diffuser Cat. no.
2ft	20W Single	Switchstart	PPC/20	25.1	638	4.64	2.1	19.7	500	PPC.2
2ft	20W Twin	Switchstart	PPC/220	25.1	638	6.25	2.84	19.7	500	PPC.22
4ft	40W Single	Switchstart	PPC/40	49.1	1248	7.0	3.2	24.0	610	PPC.4
4ft	40W Twin	Switchstart	PPC/240	49.1	1248	11.5	5.23	24.0	610	PPC.24
5ft	65W Single	Switchstart	PPC/65	61.0	1550	9.2	4.2	24.0	610	PPC.5
5ft	65W Twin	Switchstart	PPC/265	61.0	1550	13.5	6.2	24.0	610	PPC.25
6ft	85W Single	Resonant Start	PPC/Q685	71.4	1818	10.0	4.5	24.0	610	PPC.6
6ft	85W Twin	Resonant Start	PPC/Q2685	71.4	1818	14.3	6.5	24.0	610	PPC.26
8ft	125W Single	Switchstart	PPC/125	95.4	2428	14.4	6.5	48.0	1220	PPC.8
8ft	125W Twin	Switchstart	PPC/2125	95.4	2428	21.5	9.8	48.0	1220	PPC.28

PPL/Q685



This prismatic controller for single tube fitting is a larger version of the single PPC type.

The increased size makes a higher degree of light control possible and the attachment is designed to provide lower brightness lighting in situations where glare could present problems. These diffusers are quickly attachable or detachable from the batten by the 'clip on' action of the endcaps.

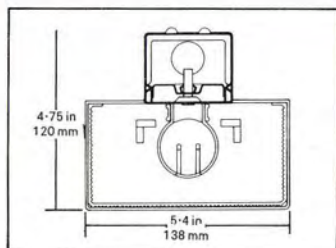
These fittings comply fully with BS 3820:1964 for Class 1, ordinary, indoor normal atmospheres.

SUPPLY VOLTAGE

Standard fitting 230/240V 50Hz –
Fittings listed below can be supplied to order at the voltages shown, at no extra charge.

40W 4ft } 200/210V, 220V and 250V
65W 5ft } 50 Hz |

Details of fittings for other supplies on page 1:19.

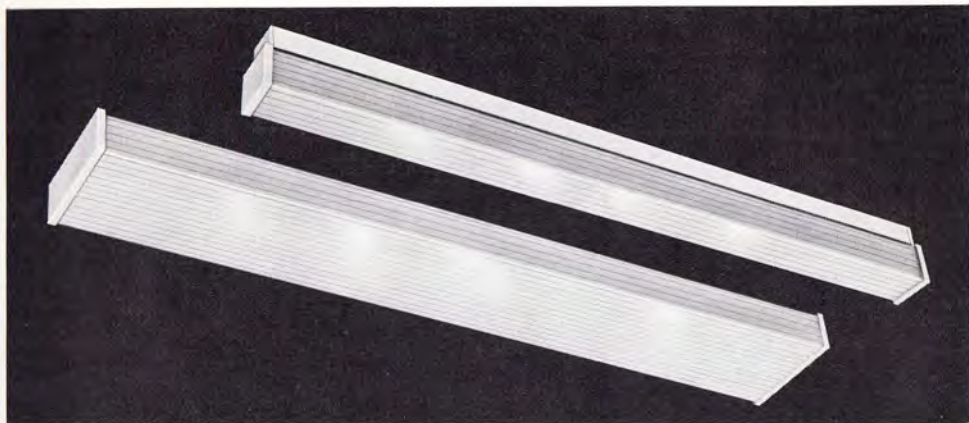


RANGE. These fittings are packed complete with White tube.

Nom. length	Rating	Circuit	Cat. no.	Length		Weight		Fixing centres		Diffuser Cat. no.
				in	mm	lb	kg	in	mm	
4ft	40W Single	Switchstart	PPL/40	49.1	1248	8.0	3.6	24.0	610	PPL.4
5ft	65W Single	Switchstart	PPL/65	61.0	1550	10.25	4.7	24.0	610	PPL.5
6ft	85W Single	Resonant Start	PPL/Q685	71.4	1818	12.75	5.8	24.0	610	PPL.6
8ft	125W Single	Switchstart	PPL/125	95.4	2428	15.5	7.0	48.0	1220	PPL.8

PPD/265

PPD/65



This white opal diffuser in extruded plastic with external reeding provides an extremely attractive and efficient fitting designed for general commercial and display use. The white plastic end-plates are simply fitted to the spine and enable the diffuser to be quickly and easily removed for cleaning and general maintenance.

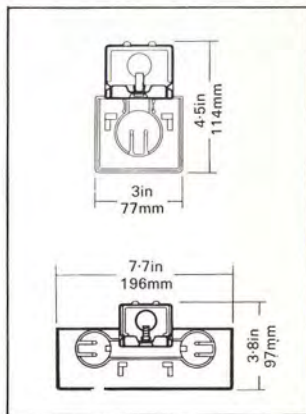
These fittings comply fully with BS 3820:1964 for Class 1, ordinary, indoor normal atmospheres.

SUPPLY VOLTAGE

Standard fitting 230/240V 50Hz—
Fittings listed below can be supplied to order at the voltages shown, at no extra charge.

20W 2ft	} 200/210V, 220V and 250V 40W 4ft	} Hz
40W 4ft		
65W 5ft		

Details of fittings for other supplies on page 1:19.



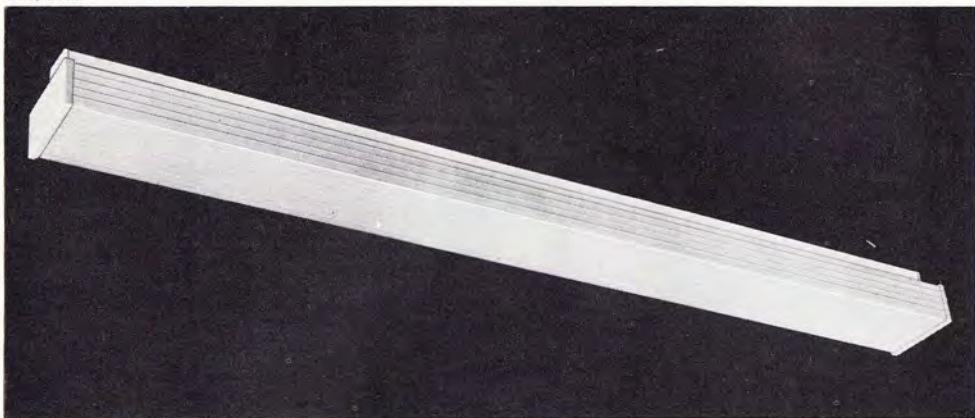
RANGE. These fittings are packed complete with White tubes).

Nom. length	Rating	Circuit	Cat. no.	Length		Weight		Fixing centres		Diffuser Cat. no.
				in	mm	lb	kg	in	mm	
2ft	20W Single	Switchstart	PPD/20	25.1	638	4.5	2.0	19.7	500	PPD.2
2ft	20W Twin	Switchstart	PPD/220	25.1	638	5.75	2.6	19.7	500	PPD.22
4ft	40W Single	Switchstart	PPD/40	49.1	1248	6.75	3.0	24.0	610	PPD.4
4ft	40W Twin	Switchstart	PPD/240	49.1	1248	11.0	5.0	24.0	610	PPD.24
5ft	65W Single	Switchstart	PPD/65	61.0	1550	8.75	4.0	24.0	610	PPD.5
5ft	65W Twin	Switchstart	PPD/265	61.0	1550	14.5	6.6	24.0	610	PPD.25
6ft	85W Single	Resonant Start	PPD/Q685	71.4	1818	10.75	4.9	24.0	610	PPD.6
6ft	85W Twin	Resonant Start	PPD/Q2685	71.4	1818	17.25	7.8	24.0	610	PPD.26
8ft	125W Single	Switchstart	PPD/125	95.4	2428	13.0	5.9	48.0	1220	PPD.8
8ft	125W Twin	Switchstart	PPD/2125	95.4	2428	21.25	9.6	48.0	1220	PPD.28

atlas Popular Pack

PPM plastic diffuser fittings

PPM/O685



These attachments for single tube fittings are a larger version of the PPD type, but have a lower BZ rating, making them suitable in situations where such a fitting is specified.

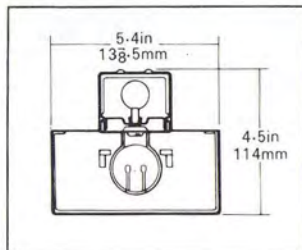
They are quickly attached and detached from the batten by the clip-on action of the endcaps.

These fittings comply fully with BS 3820:1964 for Class 1 ordinary indoor normal atmospheres.

SUPPLY VOLTAGE

Standard fittings 230/240V 50Hz. 20W 2ft, 40W 4ft and 65W 5ft fittings can be supplied to order at 200/210 and 220V 50Hz at no extra charge.

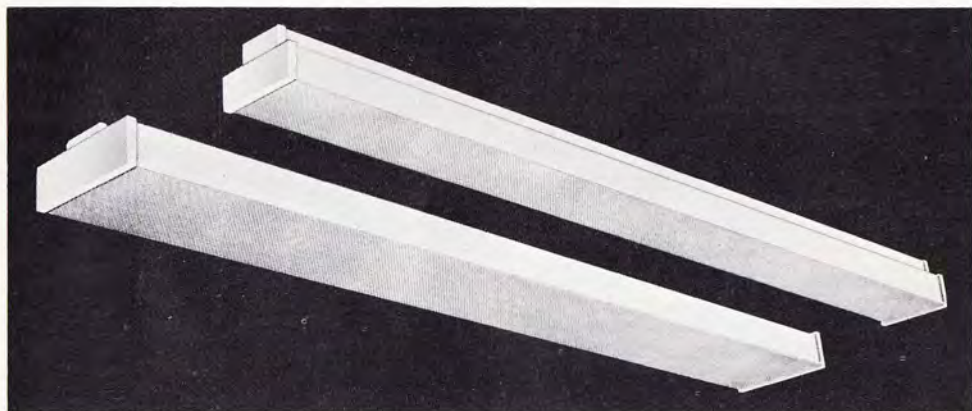
Details of fitting for other supplies on page 1:20



RANGE. These fittings are packed complete with White tube.

Nom. length	Rating	Circuit	Cat. no.	Length		Weight		Fixing centres		Diffuser Cat. no.
				in	mm	lb	kg	in	mm	
4ft	40W Single	Switchstart	PPM/40	49.1	1248	7.5	3.4	24.0	610	PPM.4
5ft	65W Single	Switchstart	PPM/65	61.0	1550	9.5	4.3	24.0	610	PPM.5
6ft	85W Single	Resonant Start	PPM/6885	71.4	1818	12.0	5.5	24.0	610	PPM.6
8ft	125W Single	Switchstart	PPM/125	95.4	2428	14.75	6.7	48.0	1220	PPM.8

atlas Popular Pack Opal sided prismatic controller fittings



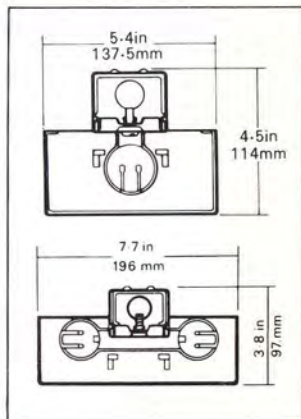
These attachments are for use in situations where visual comfort is of primary importance. The sides have an opal finish and the base is embossed with a fine prismatic pattern.

They are quickly and easily attached or detached from the batten by the "clip-on" action of the end-caps.

These fittings comply fully with BS 3820:1964 for class 1 ordinary, indoor normal atmospheres.

SUPPLY VOLTAGE

Standard fittings 220/240V 50Hz. 4ft 40W and 5ft 65W fittings can be supplied to special order at 200/210V, 220V and 250V 50Hz at no extra charge.

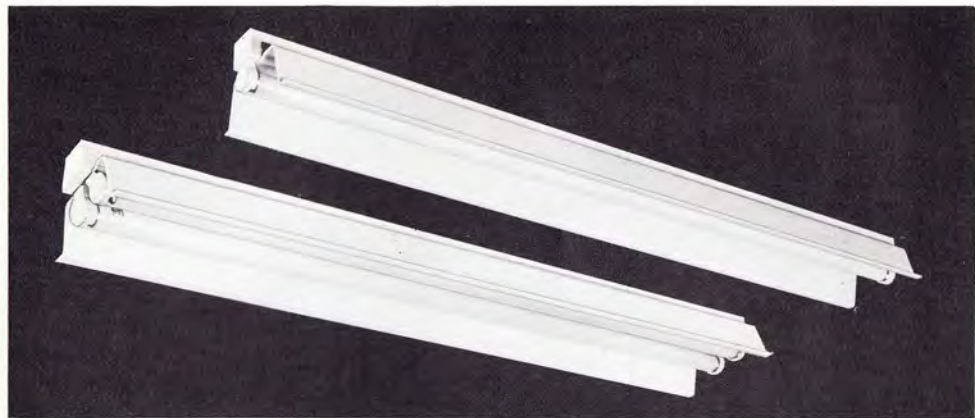


RANGE: These fittings are packed complete with white tubes.

Nom. length	Rating	Circuit	Cat. no.	Length		Weight		Fixing centres		Diffuser Cat. no.
				in	mm	lb	kg	in	mm	
4ft	40W Single	Switchstart	PPE/40	49.1	1248	7.5	3.4	24.0	610	PPE.4
4ft	40W Twin	Switchstart	PPE/240	49.1	1248	11.5	5.23	24.0	610	PPE.24
5ft	65W Single	Switchstart	PPE/65	61.0	1550	9.75	4.52	24.0	610	PPE.5
5ft	65W Twin	Switchstart	PPE/265	61.0	1550	13.5	6.2	24.0	610	PPE.25
6ft	85W Single	Resonant start	PPE/685	71.4	1818	12.25	5.67	24.0	610	PPE.6
6ft	85W Twin	Resonant start	PPE/Q2685	71.4	1818	14.3	6.5	24.0	610	PPE.26
8ft	125W Single	Switchstart	PPE/125	95.4	2428	15.0	6.8	48.0	1220	PPE.8
8ft	125W Twin	Switchstart	PPE/2125	95.4	2428	21.5	9.8	48.0	1220	PPE.28

Details of fittings for other supplies on page 1:20

PPO/65



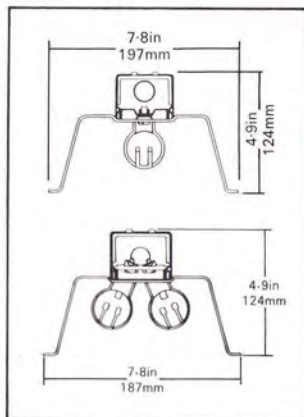
This opal plastic trough reflector provides generous upward light and an even spread of light in the downward plane. The plastic material is strong and sufficiently light-fast to maintain its efficiency with adequate maintenance throughout the life of the fitting. The reflector is easily attached to the spine by two screws retained by slideable spring nuts.

This fitting complies fully with BS 3820:1964 for Class 1, ordinary, indoor normal atmospheres.

SUPPLY VOLTAGE

Standard fitting 230/240V 50Hz—the following 50Hz voltages are also available for 4ft 40W and 5ft 65W fittings at no extra charge.

200/210V, 220V and 250V
Details of fittings for other supplies on page 119.



RANGE

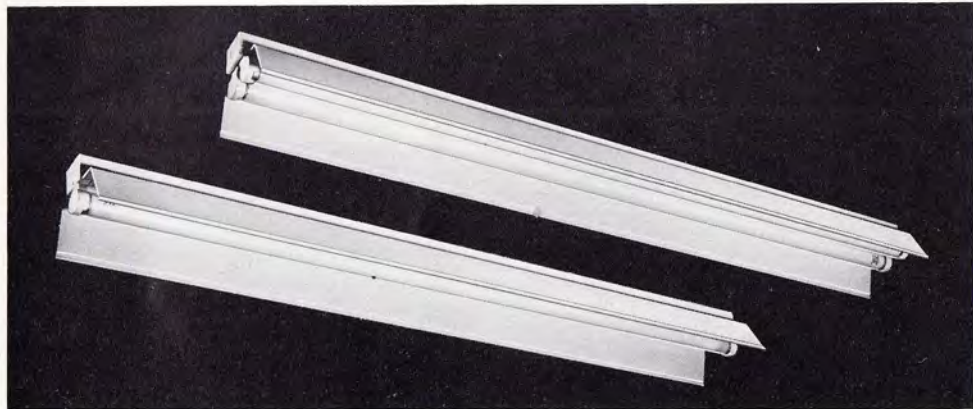
Nom. length	Rating	Circuit	Cat. no.	Length		Weight		Fixing centres		Reflector Cat. no.
				in	mm	lb	kg	in	mm	
4ft	40W Single	Switchstart	PPO/40	48.2	1224	7.7	3.5	24	610	PPO.4
4ft	40W Twin	Switchstart	PPTO/240	48.8	1241	12.0	5.2	24	610	PPO.4
5ft	65W Single	Switchstart	PPO/65	60.1	1525	10.1	4.6	24	610	PPO.5
5ft	65W Twin	Switchstart	PPTO/265	60.8	1545	15.0	7.0	24	610	PPO.5
6ft	85W Single	Resonant Start	PPO/Q685	70.4	1788	12.5	5.3	24	610	PPO.6
6ft	85W Twin	Resonant Start	PPTO/Q2685	71.1	1806	18.0	8.5	24	610	PPO.6
8ft	125W Single	Switchstart	PPO/125	94.4	2398	15.5	7.1	48	1220	PPO.8
8ft	125W Twin	Switchstart	PPTO/2125	95.1	2416	24.0	10.8	48	1220	PPO.8

atlas

Popular Pack PPR metal reflector

PPR/65

PPR/265



These open-ended slotted metal trough reflectors give generous upward lighting. Finished in stark white stoved enamel, they are easily fitted by means of sliding captive screws providing extremely attractive and efficient attachments. These reflectors are suitable for many industrial applications where high efficiency and easy maintenance are important features.

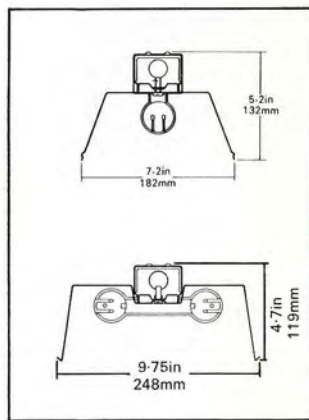
These fittings comply fully with BS.3820:1964 for Class 1, ordinary, indoor, normal atmospheres.

SUPPLY VOLTAGE

Standard fitting 230/240V 50Hz—
other 50Hz voltages shown to order
at no extra charge.

40W 4ft } 200/210V, 220V and 250V
65W 5ft }

Details of fittings for other supplies
on page 1:19.



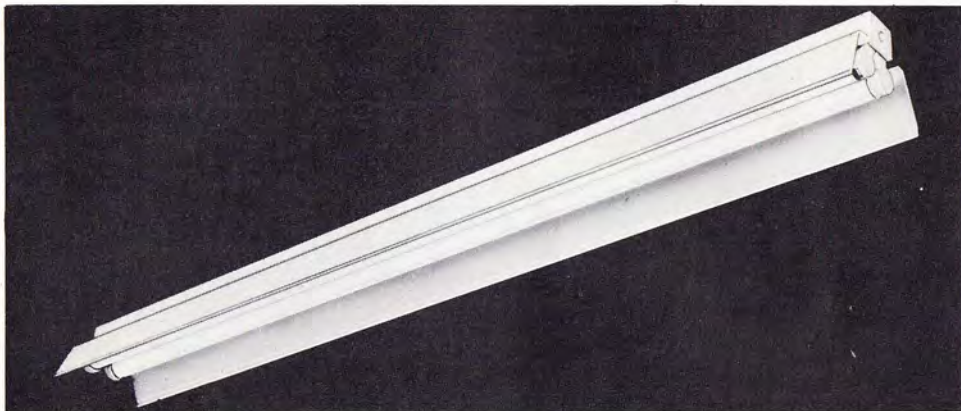
RANGE These fittings are packed complete with white tubes.

Nom. length	Rating	Circuit	Cat. no.	Length		Weight		Fixing centres		Reflector Cat. no.
				in	mm	lb	kg	in	mm	
4ft	40W Single	Switchstart	PPR/40	48.2	1224	10.5	4.75	24	610	PPR.4
4ft	40W Twin	Switchstart	PPR/240	48.2	1224	15.0	6.8	24	610	PPR.24
5ft	65W Single	Switchstart	PPR/65	60.1	1525	13.75	6.3	24	610	PPR.5
5ft	65W Twin	Switchstart	PPR/265	60.1	1525	18.3	8.3	24	610	PPR.25
6ft	85W Single	Resonant Start	PPR/Q685	70.4	1788	16.5	7.5	24	610	PPR.6
6ft	85W Twin	Resonant Start	PPR/Q2685	70.4	1788	22.5	10.2	24	610	PPR.26
8ft	125W Single	Switchstart	PPR/125	94.4	2398	20.25	9.2	48	1220	PPR.8
8ft	125W Twin	Switchstart	PPR/2125	94.4	2398	30.8	14.0	48	1220	PPR.28

atlas

Popular Pack 'Twindustrial' twin reflector fittings

PPTQ/2685



These twin, open-ended slotted metal reflector fittings incorporate all the well-proven design features of the existing Popular Pack types plus a number of additional features of maximum advantage in a fitting for industrial use.

Metal end-plates incorporating knock-outs are used and the tube spacing enables a smaller reflector to be employed.

This fitting complies fully with BS 3820:1964 for Class 1, ordinary, indoor normal atmospheres.

SUPPLY VOLTAGE

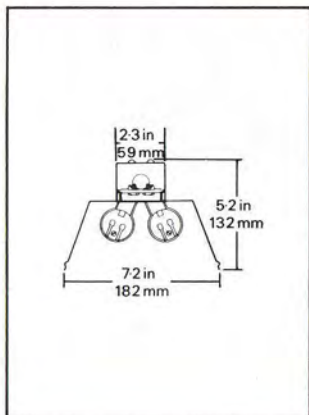
Standard fitting 230/240V 50Hz.

Fittings listed below can be supplied to order at the voltages shown at no extra charge.

40W 4ft 200/210V, 220V.

65W 5ft and 250V 50Hz.

Details of fittings for other supplies on page 1:19.



RANGE These fittings are packed complete with White tube(s).

Nom. Length	Rating	Circuit	Cat. no.	Length in	mm	Weight lb	kg	Fixing centres in	mm	Reflector Cat. no.
4ft	40W Twin	Switchstart	PPT/240	48.8	1241	13.0	5.5	24	610	PPT.24
5ft	65W Twin	Switchstart	PPT/265	60.8	1545	16.2	7.2	24	610	PPT.25
6ft	85W Twin	Resonant Start	PPT/Q2685	71.1	1806	19.25	8.8	24	610	PPT.26
8ft	125W Twin	Switchstart	PPT/2125	95.1	2416	26.0	11.0	48	1220	PPT.28

atlas

Popular Pack PPU Sentinel fittings

PPQ 685 and PPU 6

PPUQ 2685



Sentinel enclosures combined with 6ft Popular Pack fittings fulfil the protection needs for many under canopy, open building and corrosive situations.

The construction is a simple but effective 2-piece structure, formed by the combination of a grey glass fibre canopy and an acrylic lower moulding. Six captive clips provide easy, positive fastening and soft gaskets seal the enclosures from external environmental conditions.

The Sentinel is available in Single and Twin forms. The single enclosure is supplied separately for use with a standard 6ft 85 watt batten PPO 685 while the twin is supplied complete in one pack i.e. batten, tubes and enclosures.

Comparable fittings generally employ 5ft tubes as the accepted size but with the 6ft 85 watt tube the Sentinel supplies some 30% more light, which is particularly

important in situations for which this product is employed.

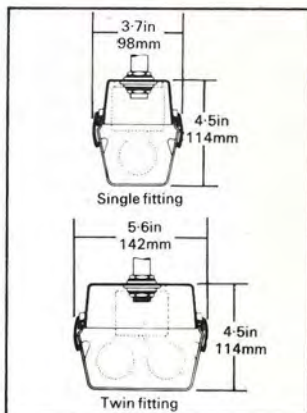
Although functional in design the grey glass fibre canopy and clear stippled lower enclosure form a combination which is attractive in appearance and tough in use.

These fittings comply fully with BS 3820:1964 for categories – Class 1, rainproof, dustproof, outdoors and chemically corrosive.

SUPPLY VOLTAGE

Standard fitting 230/240V 50Hz.

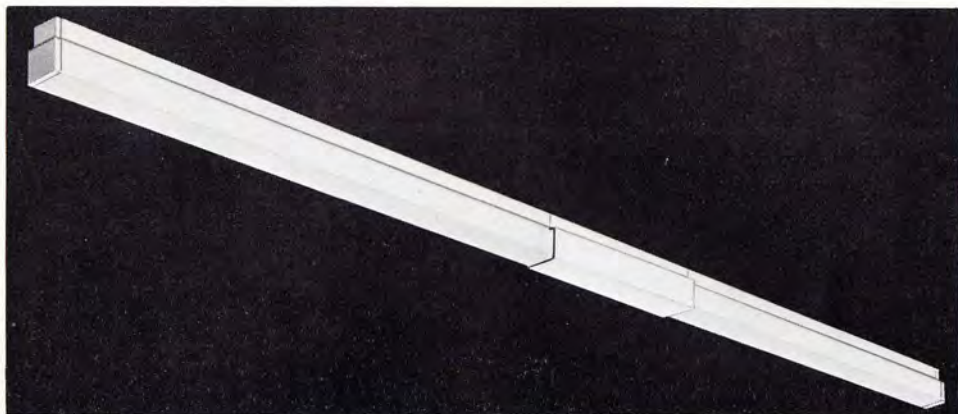
Details of fittings for other supplies on page 1:19.



RANGE. These fittings are packed complete with White tube(s).

Nom. length	Rating	Circuit	Cat. no.	Description	Length		Fixing centres		Weight	
					in	mm	in	mm	lb	kg
6ft	85W Single	Resonant Start	PPQ685	Single 6ft 85W batten	72.8	1850	24	610	13	5.9
			PPU6	Single tube enclosure	72.8	1850	24	610	13	5.9
6ft	85W Twin	Resonant Start	PPUQ2685	Twin Sentinel fitting	72.8	1850	24	610	20	9.1

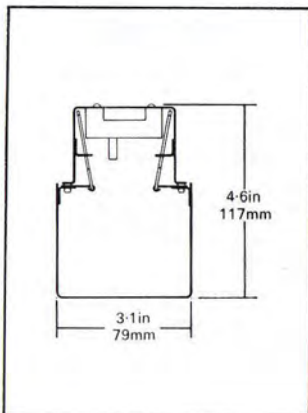
Popular Pack One-Plus-One attachment



The One-Plus-One fitting is formed from a combination of a central box housing and two individual Pop Pack fittings in tandem an arrangement that can be extended to give a continuous structure. This is particularly suitable for schools, supermarkets, shops and all indoor establishments where a good general level of illumination is required. The One-Plus-One can be used to form combinations of various sizes, dependent only on the type of Pop Pack employed, with a choice of opal diffuser (PPD) or prismatic controller (PPC) Single tube attachments.

It should be noted that the One-Plus-One is suitable for ceiling mounting only.

These fittings comply fully with BS.3820:1964 for Class 1, ordinary, indoor, normal atmospheres when used in conjunction with Popular Pack fittings mentioned.

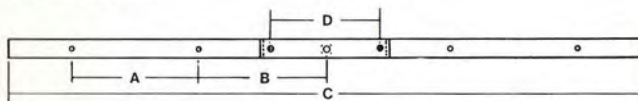


Cat. no.	Length		Weight		Fixing centres	
	in	mm	lb	kg	in	mm
AMEM 6180 One-Plus-One	24	610	3.25	1.5	18	457 and centre BS box piercing

Details of single tube fittings for use with the One-Plus-One attachment are given on pages 1.7 and 1.9.

ARRANGEMENT DATA

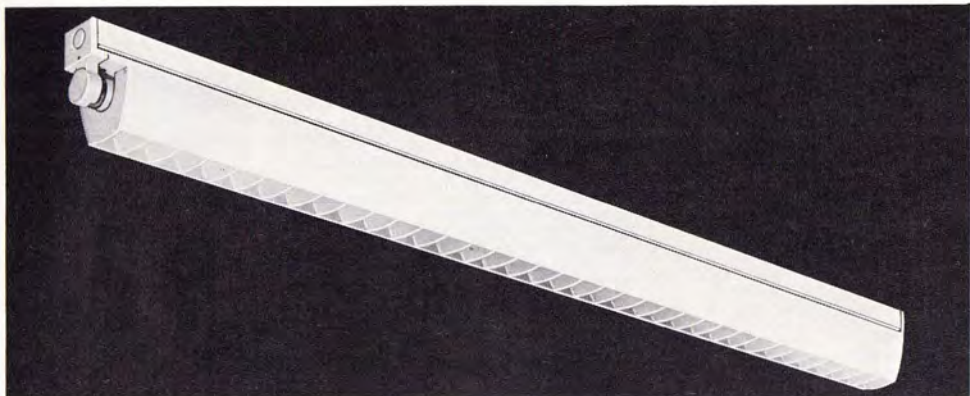
Dimensions shown include various size fittings combined with the One-Plus-One attachment.



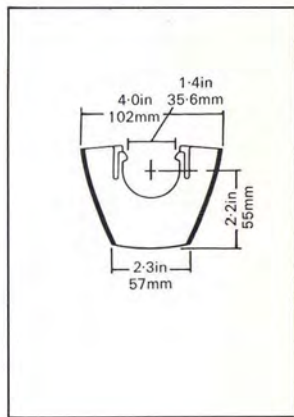
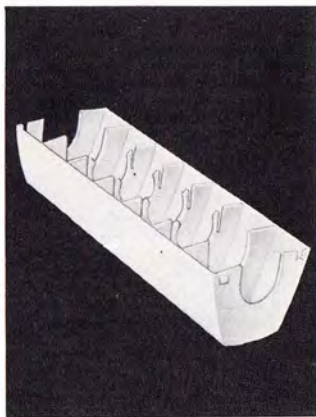
Nom. fitting size	A		B		C PPC or PPD		D	
	in	mm	in	mm	in	mm	in	mm
2ft	19.7	500	14.06	357	72.93	1852	18	457
4ft	24	610	23.91	607	120.93	3070	18	457
5ft	24	610	29.86	758	144.73	3655	18	457
6ft	24	610	35.01	889	165.33	4199	18	457
8ft	48	1220	35.01	889	213.33	5418	18	457

Popular Pack Clipluve sectional louvers

KU5.P 'Clipluve' on PP.65 Batten



Bare lamp shielding in an economical form is provided by these practical and decorative opal plastic units which clip directly on to the lamp. KU5.P pack contains five 11.5in (292mm) sections suitable for bi-pin tubes. Four, five, six or eight sections are required according to the length of tube. The sections are fully interlocking to ensure alignment and are quickly detachable in sections for easy maintenance and washing. (Patent no. 751990.) 'Clipluve' meets the maximum brightness requirements set by the 'Standards for School Regulations 1959'.



Cat. no.	Description
KU5.P	5 piece pack

atlas

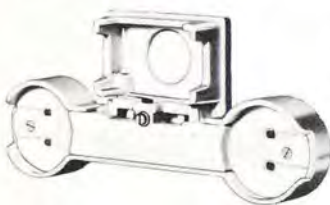
Popular Pack accessories



AME B1562
Single bi-pin white plastic grip-pin lampholder.



AMEB 1548/A3
Replacement lampholder for Twindustrial and twin Sentinel fittings.



AME B1563
Wide twin bi-pin white plastic grip-pin lampholder.



PP 4601
Used with PP 4602 screw to fix single and twin Popular Pack metal attachments.



PP4612
End cap for single tube PPC and PPD diffusers. Complete with fixing spring.



PP4616
Clip-in fused terminal block assembly with 3A fuse. Primary use for Popular Pack fitting when used on Trakline. Encroaches on centre entry on 2ft. 20W twin only. Not for use in 6ft. fittings. These contain a fuse as standard practice. Standard quantity 5 per pack.



AME M6064/12/Loop Starter Socket
White PVC moulding enclosing starter switch contacts crimped to 12in loop 14/0076 white PVC cable which can be cut at a point to suit wiring layout. Current item for 2ft fittings and for earlier Popular Pack fittings in other sizes.



PP 4602
Reflector and Coverplate fixing screw.



AMET 1281/3
Three way terminal block. Will accept two 3/-036 cables twisted together.



PP4613
End cap for twin tube PPC and PPD diffusers. Complete with fixing spring.



AME A5051
Current Starter Socket.



AME A5019/X Starter Socket
Used in earlier Popular Pack fittings. Fixed by clip **AMEY5285**



PP 4600
Lampholder Tension spring for single and twin fittings.



AMEY 5283
Fixing clip for 1 1/2 in dia capacitors **AMEY 5273** should be used for 1 1/4 in dia tubes.



PP 4609
Replacement plastic clip for Sentinel fittings.



FUSE
For use in 6ft 85W Popular Pack fittings. BS1362 dimensions.

AME T1342 1.25 amp single and twin tube



PP4617
End cap for single tube PPE, PPL & PPM diffusers complete with fixing spring.

ELECTRICAL DATA for 240V 50Hz Single tube circuits. Average performance tested at 25°C to BS 2818 specification.

Tube size	8ft	6ft	5ft	4ft	2ft
Diameter	1½ in	1½ in	1½ in	1½ in	1½ in
Nominal tube watts	125	85	65	40	20
Circuit diagram	2	7	1	1	1 (single) 10 (twin)
Actual lamp watts	121	84	63	39.6	19.5
Average tube volts	153	123	112	103	58
Average tube amps	0.92	0.77	0.67	0.44	0.37
Rated life (hours)	7,500	7,500	7,500	7,500	5,000
Circuit type	SS	SRS	SS	SS	SS
Total circuit watts	145*	103*	79*	51*	30*
Mains current amps	0.92	0.50	0.39	0.25	0.37
Total volt amps	220	120	93	60	90
Lagging power factor	0.66‡	0.86	0.85	0.85	0.34**
Min. starting temperature	0°C	-5°C	0°C	0°C	0°C
% Harmonics per phase	14%	25%	17%	17%	17%

*Uncorrected value, for single tube operation.

‡ Leading power factor, SRS – Semi Resonant Start, SS – Switchstart.

* The above circuit watts for control gear tested in accordance with BS 2818 may be reduced by up to 3% when operating in some fittings, i.e., the circuit watts reduce as the lamp operating temperature increases.

REPLACEMENT CONTROL GEAR

These items are selected from the extensive range of control gear for UK Regional stocking to give ready availability. The reference numbers quoted will be different from those marked on the control gear in the fitting, but the units are equally applicable to Popular Pack fittings.

		Choke(s)	Capacitor(s)	Starter Switch(es)
125W 8ft	Single Tube	1 – CU/125	1 – AMEC 2173	1 – 155/800
	Twin Tube	2 – CU/125	2 – AMEC 2173	2 – 155/800
85W 6ft	Single Tube	1 – BU/685	1 – AMEC 2220	—
	Twin Tube	2 – BU/685	2 – AMEC 2220	—
65W 5ft	Single Tube	1 – CU/65	1 – AMEC 2241	1 – 155/500
	Twin Tube	2 – CU/65	1 – AMEC 2274	2 – 155/500
40W 4ft	Single Tube	1 – CU/40	1 – AMEC 2092	1 – 155/500
	Twin Tube	2 – CU/40	1 – AMEC 2221	2 – 155/500
20W 2ft	Single Tube	1 – CU/20	—	1 – 155/200
	Twin Tube	1 – CU/40	1 – AMEC 2092	2 – 155/200

A The standard electricity supply in UK is 230/240V 50 Hz and fittings suitable for this supply are standard stock lines.

B Other voltage 50 Hz fittings are available as shown below at no extra charge in UK. Delivery and details on application.

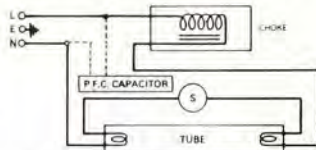
20W 2ft	} 200/210V, 220V and 250V
40W 4ft	
65W 5ft	

C Popular Pack fittings are also available outside UK for the following electricity supplies. Price and delivery details on application.

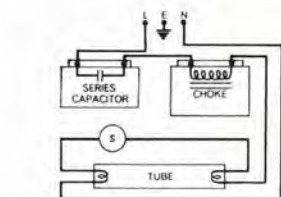
	CCT	50 Hz	60 Hz
125W 8ft	Leading SS only	220V	—
85W 6ft	HPF, SRS only	220V	—
65W 5ft	HPF or LPF, SS	110/120V (twin fittings LPF only) 200/210V, 220V, 230/240V, 250V	110/120V (twin fittings LPF only) 200/210V, 220V, 230/240V.
40W 4ft	HPF or LPF, SS	110/120V, 127V 200/210V, 220V, 230/240V, 250V	110/120V 200/210V, 220V, 230/240V.
20W 2ft	HPF or LPF, SS	110/120V 200/210V, 220V, 230/240V, 250V	110/120V 200/210V, 220V, 230/240V.

SS = Switchstart

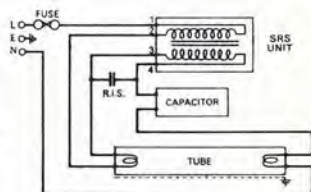
230/240V 50Hz CIRCUIT DIAGRAMS



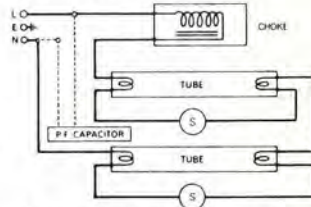
1 Standard starter switch circuit with optional PFC capacitor



2 Leading power factor starter switch circuit



7 6ft 85W Semi-resonant start circuit



10 Starter switch circuit for series pair tube operation

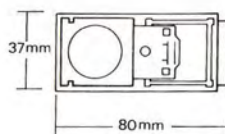
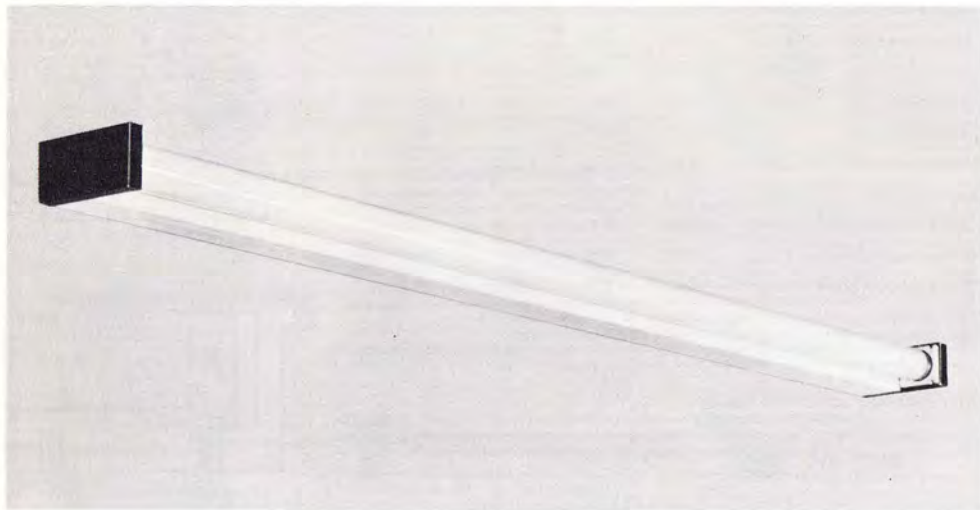
atlas mazda

New Arrow-slim AS batten fittings

AS single batten fitting. The New 'Arrow-slim' basic batten, with its three-position twist lampholder, can be used in any location where an unshielded fluorescent tube is acceptable. These batten fittings are available in 3ft 30w and 5ft 50w sizes and are supplied ready packed complete with one inch diameter Warm White tubes.

In exceptionally quiet locations the small amount of noise emitted by these fittings should be considered. For this reason 5ft fittings are not suitable for domestic use. Noise can be limited by the use of rubber grommets to "soften" the mounting.

Fluorescent fittings (except special types) are unsuitable for situations where very frequent switching takes place.



AS/30
AS/50

RANGE

Complete fitting

Rating	Circuit	Cat. no.	Length		Weight		Fixing centres	
			in	mm	lb	kg	in	mm
30w Single	Switchstart	AS.30	36	914	4.0	1.82	23.6-24	600-610
50w Single	Switchstart	AS.50	59.8	1519	5.8	2.64	23.6-24	600-610

These are packed complete with Warm White tube.

Voltages: These fittings are suitable for 230/240v 50Hz. Details of fittings suitable for other supplies are available on application.

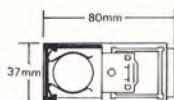
*The 5ft 50w New Arrow-slim range will be available as from November 1971. In the meantime the present 5ft LX range will continue to be available.

atlas mazda

New Arrow-slim ASG, ASO & ASC attachments

ASG (GOLD) and ASO (ORANGE) ATTACHMENTS:

These attachments are slim acrylic extrusions to which is applied a plasticised fabric trim in gold or orange colour. The attachments are retained in position on the wall mounted fitting by engagement with the lampholders.



ASO/30 ASG 30

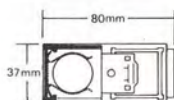


RANGE

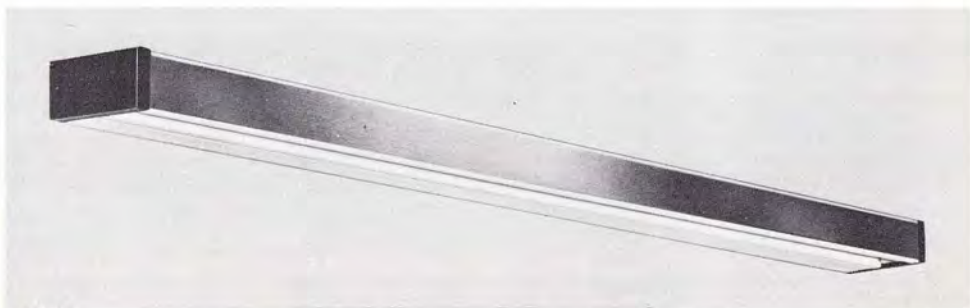
Rating	Circuit	Complete Fitting		Length		Weight		Fixing centres		Attach. Cat. no.
		Cat. no.		in	mm	lb	kg	in	mm	
30w Single	Switchstart	ASG/30		36	914	4.4	2.0	23.6-24	600-610	ASG.3
30w Single	Switchstart	ASO/30		36	914	4.4	2.0	23.6-24	600-610	ASO.3

ASC ATTACHMENTS:

This attachment is similar in construction to those above except that the front trim has the appearance of brushed copper.



ASC/30



RANGE

Rating	Circuit	Complete Fitting		Length		Weight		Fixing centres		Attach. Cat. no.
		Cat. no.		in	mm	lb	kg	in	mm	
30w Single	Switchstart	ASC30		36	914	4.4	2.0	23.6-24	600-610	ASC.3

These fittings are packed complete with a Warm White tube. Voltages: These fittings are suitable for 230/240V. 50Hz. Details of fittings suitable for other supplies are available on application.

In exceptionally quiet locations the small amount of noise emitted by these fittings should be considered.

Noise can be limited by the use of rubber grommets to "soften" the mounting.

Fluorescent fittings (except special types) are unsuitable for situations where very frequent switching takes place.

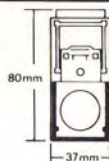
Push switch. A push switch AS 4601 is available for wall mounted fittings.

atlas mazda

New Arrow-slim ASU and ASF attachments

ASU ATTACHMENT:

A closely fitting acrylic extrusion forming in conjunction with the 3ft batten an extremely slim diffuser fitting for many lighting purposes. The attachment is fixed to the basic fitting by engagement with the lampholders.



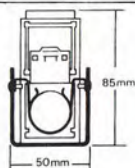
ASU/30



RANGE

Rating	Circuit	Complete Fitting		Length		Weight		Fixing centres		Attach. Cat. no.
		Cat. no.		in	mm	lb	kg	in	mm	
30w Single	Switchstart	ASU/30		36	914	4.46	2.03	23.6-24	600-610	ASU.3

ASF two-tone diffuser. Extruded plastic diffuser with clear fine reeded base and opal sides which gives an even downward distribution of light, yet cuts fitting brightness to the minimum. Fixing is by means of spring clips fitted to the end of the diffuser.



ASF/50



RANGE

Rating	Circuit	Complete Fitting		Length		Weight		Fixing centres		Attach. Cat. no.
		Cat. no.		in	mm	lb	kg	in	mm	
50w Single	Switchstart	ASF/50		59.8	1519	6.8	3.1	23.6-24	600-610	ASF.5

A set of two clips and plastic studs for ASF attachments, cat. no. AS4610, is available as a replacement item.

These fittings are packed complete with Warm White tube. Voltages: These fittings are suitable for 230/240V, 50Hz. Details of fittings suitable for other supplies are available on application.

In exceptionally quiet locations the small amount of noise emitted by these fittings should be considered.

For this reason 5ft fittings are not suitable for domestic use. Noise can be limited by the use of rubber grommets to "soften" the mounting.

Noise can be limited by the use of rubber grommets to "soften" the mounting.

Fluorescent fittings (except special types) are unsuitable for situations where very frequent switching takes place.

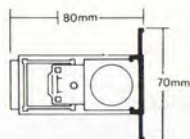
*The 5ft 50w New Arrow-slim range will be available as from November 1971. In the meantime the present 5ft LX range will continue to be available.

atlas mazda

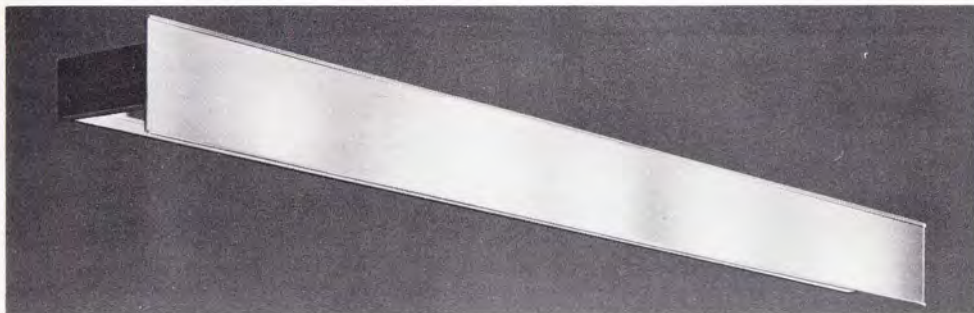
New Arrow-slim ASA, ASB & ASR attachments

ASA ATTACHMENTS:

Satin etched front baffles in extruded aluminium for upward and downward lighting and a sophisticated decorative appearance.



ASA/30 ASA/50



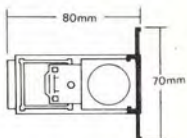
RANGE:

Complete Fitting Rating	Circuit	Cat. no.	Length ins	mm	Weight lb	kg	Fixing Centres ins	mm	Attach. Cat. no.
30W Single	Switchstart	ASA/30	36	915	4.86	2.21	23.6-24	600-610	ASA.3
*50w Single	Switchstart	ASA/50	59.8	1520	7.24	3.28	23.6-24	600-610	ASA.5

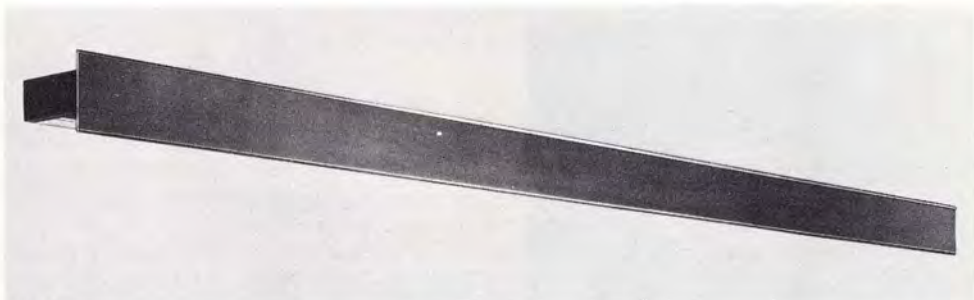
ASB (BEIGE) AND ASR (RED) ATTACHMENTS:

Aluminium front baffles to which trims having the appearance of beige or red leather are applied.

These attachments are retained in position on the wall mounted fittings by engagement with the lampholders.



ASB/30 ASB/50
ASR/30 ASR/50



RANGE:

Complete Fitting Rating	Circuit	Cat. no.	Length ins	mm	Weight lb	kg	Fixing Centres ins	mm	Attach. Cat. no.
30W Single	Switchstart	ASB/30	36	915	4.93	2.24	23.6-24	600-610	ASB.3
*50W Single	Switchstart	ASB/50	59.8	1520	7.37	3.35	23.6-24	600-610	ASB.5
30W Single	Switchstart	ASR/30	36	915	4.93	2.24	23.6-24	600-610	ASR.3
*50W Single	Switchstart	ASR/50	59.8	1520	7.37	3.35	23.6-24	600-610	ASR.5

These fittings are packed complete with a Warm White tube.

Voltages: These fittings are suitable for 230/240V. 50Hz. Details of fittings suitable for other supplies are available on application.

In exceptionally quiet locations the small amount of noise emitted by these fittings should be considered. For this reason 5ft fittings are not suitable for domestic use.

Noise can be limited by the use of rubber grommets to "soften" the mounting.

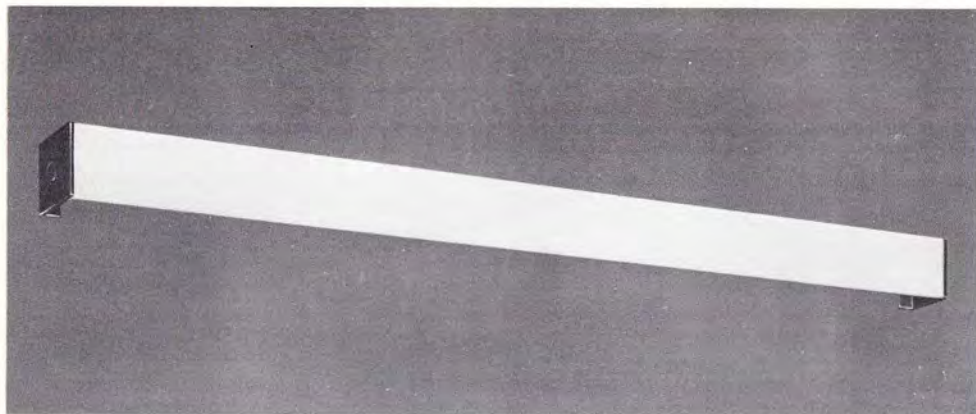
Fluorescent fittings (except special types) are unsuitable for situations where very frequent switching takes place.

Push switch. A push switch AS 4601 is available for wall mounted fittings.

*The 5ft 50W New Arrow-slim range will be available as from November 1971. In the meantime the present 5ft LX range will continue to be available.

atlas mazda

New Arrow-slim ASK attachment



ASK ATTACHMENT:

This is a baffle in white stoved enamelled steel designed for use under wall-mounted cabinets in kitchens to provide light over working surfaces. The ends of the baffle are closed by black plastic end-plates to give an attractive and streamlined appearance and to conceal the batten fitting within the baffle.

A separate box, incorporating switches and a 13 amp socket outlet, in brushed stainless steel can be used with the baffle providing a convenient kettle or mixer point.

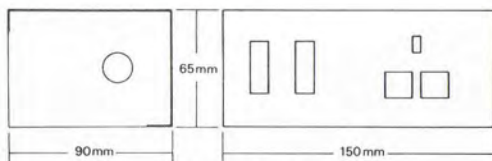
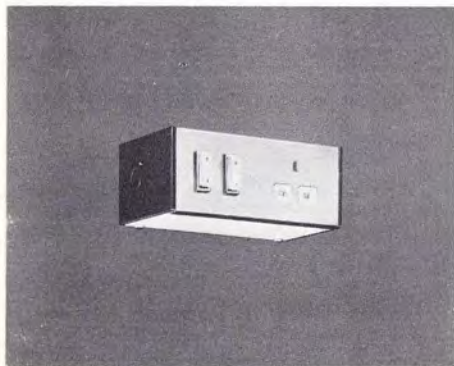
These fittings are packed complete with Warm White tube. Voltages: These fittings are suitable for 230/240V, 50Hz. Details of fittings suitable for other supplies are available on application.

In exceptionally quiet locations the small amount of noise emitted by these fittings should be considered.

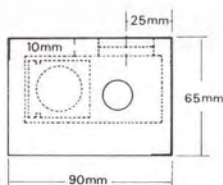
Noise can be limited by the use of rubber grommets to "soften" the mounting.

Fluorescent fittings (except special types) are unsuitable for situations where very frequent switching takes place.

These fittings comply fully with BS 3820:1964 for Class 1, ordinary, indoor normal atmospheres.



BS CONTROL BOX ASKH.



KITCHEN BAFFLE ASK/30

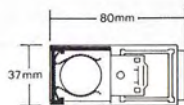
RANGE

Complete Fitting Rating	Circuit	Cat. no.	Length ins	mm	Weight lb	kg	Fixing Centres ins	mm	Attach. Cat. no.
30W Single	Switchstart	ASK/30	39.4	1000	6.0	2.73	23.8	605	ASK.3
13 A Socket Box	—	ASKH	5.9	150	1.0	0.45	4.0	100	—

atlas mazda New Arrow-slim ASD diffuser

This diffuser is extruded from opal acrylic and is easily attached to the fitting. The diffuser may be used with a wall mounted batten fitting to give unobstructed downward light

and general diffused upward light. A pushswitch AS4601 is available for wall mounted fittings.



ASD/30 (Clips supplied ASD/50 with 5ft only)

RANGE

Rating	Circuit	Complete Fitting		Length		Weight		Fixing centres		Diffuser Cat. no.
		Cat. no.		in	mm	lb	kg	in	mm	
30w Single	Switchstart	ASD/30		36	914	4.4	2.0	23-6-24	600-610	ASD.3
50w Single	Switchstart	ASD/50		59.8	1519	6.4	2.92	23-6-24	600-610	ASD.5

These fittings are packed complete with Warm White tube.

Voltages: These fittings are suitable for 230/240V, 50Hz. Details of fittings suitable for other supplies are available on application.

In exceptionally quiet locations the small amount of noise emitted by these fittings should be considered. For this reason 5ft fittings are not suitable for domestic use. Noise can be limited by the use of rubber grommets to "soften" the mounting.

Fluorescent fittings (except special types) are unsuitable for situations where very frequent switching takes place.

*The 5ft 50w New Arrow-slim range will be available as from November 1971. In the meantime the present 5ft LX range will continue to be available.

atlas

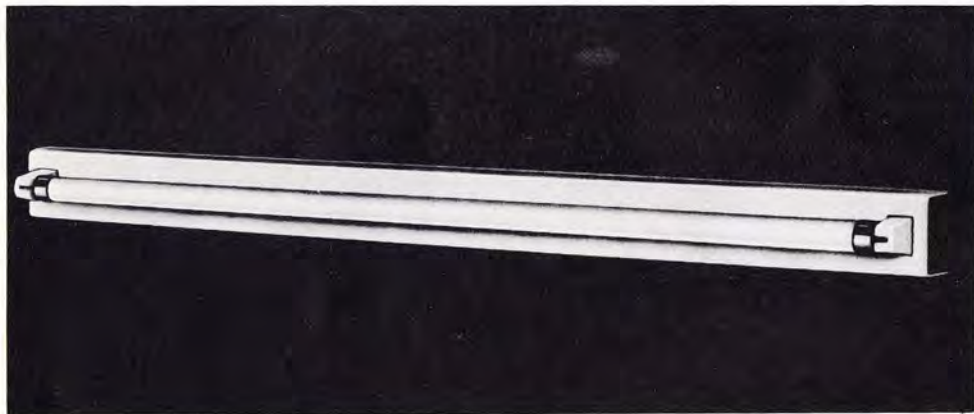
LJ Series Minipack fittings

The Minipack is the smallest fluorescent fitting to be offered for everyday use. They provide miniature fluorescent lighting for many uses including display cabinets, public notice signs, hotel mirrors and the range of attachments (see overleaf) broadens the application even further. The 12 $\frac{3}{4}$ in long version gives more light than a 40w tungsten lamp. Especially impressive, the 21 $\frac{3}{4}$ in model gives a better output than three 30w tungsten striplights. The body assembly has two-tone colouring – the channel cover is white and the channel and end plates are grey. To gain access to the control gear, the white moulded lamp holders are rocked slightly forward to release the cover which can

be completely removed for installation and servicing. PULL SWITCH, Cat. No. AMEM6117. A pull switch is an added convenience and is available for all models.

SHELF CLIPS, Cat. No. AMEM6118. An elegant form of accent lighting is to use this fitting to illuminate objects on shelves. For this purpose two single clips are available which locate inside the batten and securely onto the shelf, accommodating shelf thickness up to 1 in.

These fittings comply fully with B.S.3820:1964 for Class 1, ordinary, indoor normal atmospheres.



LJS1013

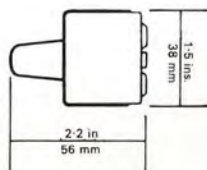
RANGE

Rating	Circuit	Complete Fitting Cat. no.	Length		Weight		Fixing centres	
			in	mm	lb	kg	in	mm
8w Single	Switchstart	LJ.S1008.H	12.75	324	2.0	0.85	11	279
13w Single	Switchstart	LJ.S1013.H	21.75	552	2.5	1.1	18	457

These fittings are packed complete with Warm White tubes.

Voltages: These fittings are suitable for 230/250V, 50Hz. Details of fittings suitable for other supplies are available on application.

The range of low voltage D.C. transistorised Minipacks has been superseded by the 'Nomad' range of fittings. For details of this new range please see page 1:27.

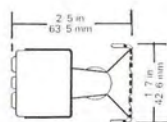


LJA, LJN Minipack attachments

Minipacks offer a choice of attractive attachments suitable for domestic and commercial situations.

LJA Raffia attachment

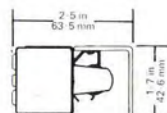
This woven natural raffia attachment is easily clipped on to the tube by a spring clip mounted at each end of the attachment.

**RANGE****Attachments only**

Type	Size (in)	Cat. no.
Raffia	12	LJA.112
Raffia	21	LJA.121

**LJN Opal plastic diffuser**

This attractive white opal diffuser is designed for more general use, and is attached easily and quickly by spring clips.

**RANGE****Attachments only**

Type	Size (in)	Cat. no.
Opal Plastic	12	LJN.112
Opal Plastic	21	LJN.121



atlas Nomad

This new range of transistorised fluorescent fittings is designed to provide efficient battery operated lighting, independent of a mains supply. The olive green body and clear reeded prismatic controller are made of high impact and light stabilised polystyrene. An integral push switch controls the fitting. The control gear operates the fluorescent tube at a high frequency so that the fitting is inaudible in use. Protection against accidental polarity reversal is incorporated within the fitting.

12 Volt versions may be used in conjunction with the AMER 2463 emergency lighting unit. (see page 10.44 for details).

Registered design numbers:—

NOM.1008 — 943061

NOM.1013 — 943063

These fittings are class IIA items.

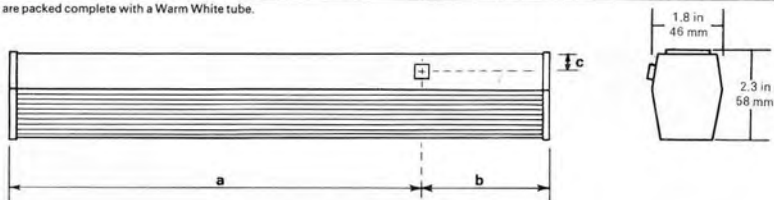
8W fitting installed in mobile shop



RANGE

Rating	Volts (D.C. only)	Cat. no.	Length in.	mm	Weight lbs.	kg.	Fixing Centres in.	mm.
8w Single	12v	NOM.1008.12	13.5	341	0.75	0.34	12.5	318
13w Single	12v	NOM.1013.12	22.4	569	1.1	0.48	21.7	547
8w Single	24v	NOM.1008.24	13.5	341	0.75	0.34	12.5	318
13w Single	24v	NOM.1013.24	22.4	569	1.1	0.48	21.7	54.7

The above fittings are packed complete with a Warm White tube.



Position of Push Switch

Rating	Dimensions					
	a		b		c	
	in.	mm.	in.	mm.	in.	mm.
8w	10.3	262	3.1	79	0.4	10
13w	19.3	490	3.1	79	0.4	10

Other voltages: Transistorised fluorescent fittings suitable for operation on 6 volt supplies are also available. Further details can be obtained from regional offices.

Prismatic Controller extrusions NOM 4600 (8 watt), NOM 4601 (13 Watt) and endplate NOM 4602 are available as replacement items.

Battery Information

Rating	Supply Current amps	Current	Battery Rating (amp/hours)		60
			38	42	
			Number of hours of operation*		
8w	12 v	0.8	42	47	66
13w	12 v	1.1	31	34	49
8w	24v	0.3	114	126	180
13w	24v	0.5	68	75	108

*Assuming the efficiency of the battery to be 90%.

New Arrow-slim, Minipack & Nomad Accessories



AMEB 1586 New Arrow Slim bi-pin lampholder. Black/white plastic.



AS 4611 New Arrow Slim lampholder tension spring.



AS 4601 New Arrow Slim push switch for wall mounted fittings.



AS 4612 New Arrow Slim capacitor clip.



AMEM 6064/12/LOOP Starter socket for New Arrow Slim 3ft and Mini-pack fittings.



AMEM 6117 Pull switch for wall mounted Mini-pack fittings.



AMEB 1556/3 Lampholder for Mini-pack fittings

AMEB 1556/1 Lampholder for Nomad fittings

Tube size	Fitting	Choke	Starter Switch
8W 12in	Minipack	1—CD8	1—155/100
13W 21in	Minipack	1—CD13	1—155/100
30W 3ft	New Arrow Slim	1—CJ30	1—155/400