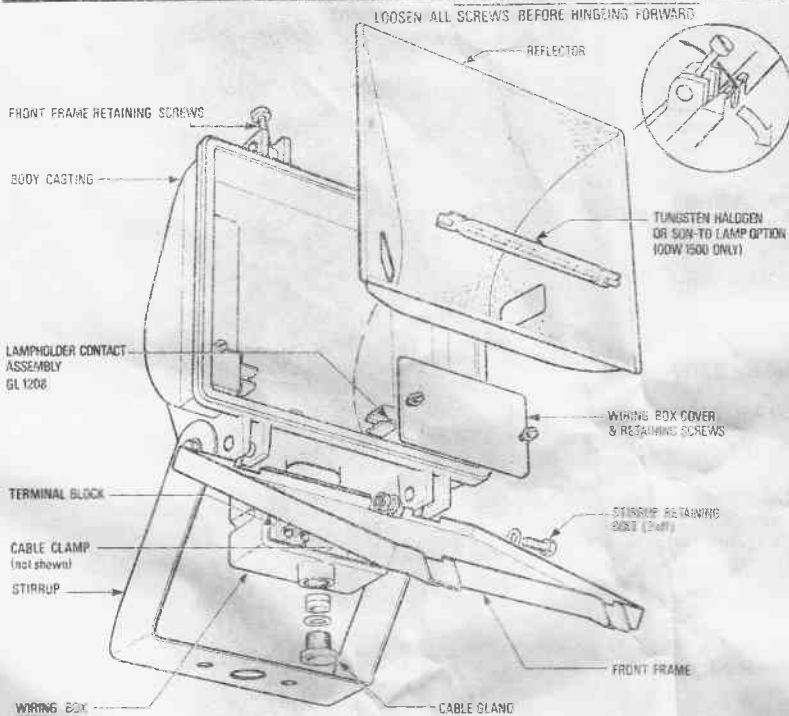
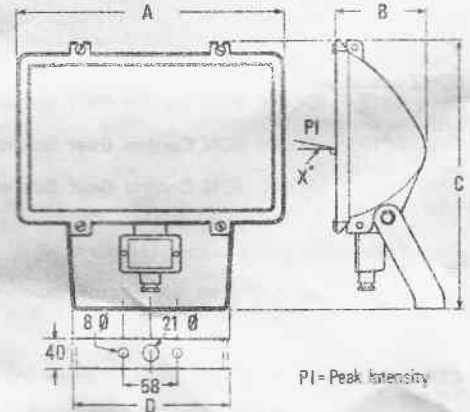


Installation and Wiring Instructions for Haline Floodlight Range



FITTING	DIMENSIONS (mm)				
	A	B	C	D	PI*
ODW 500	222	92	323	140	15°
ODW 1000	300	118	365	210	19°
ODW 1500	365	120	365	210	11°



INSTALLATION AND MOUNTING*

* In all modes of mounting it is essential that the wiring box does not go above the horizontal. If pendant mounting is required this may be achieved by reversing the stirrup.

CAUTION

A cracked or broken front glass must be replaced before operating the luminaire.

INSTALLATION AND MOUNTING

1. Mount luminaire in selected position using one of the mounting accessories illustrated on the enclosed leaflet (AT 10351)
2. Aim fitting and tighten down stirrup bolts.

NOTE: Fitting can be directly wall mounted although no horizontal adjustment of the fitting is then possible.

Column mounting is also possible on the range of aluminium lighting columns offered by THORN EMI Lighting Ltd. For further details, please make enquiries through your local sales office.

CHECK YOUR PROPOSED INSTALLATION WITH THE THORN EMI OUTDOOR LIGHTING CALCULATOR AVAILABLE FROM THE LOCAL REGIONAL OFFICE.

WIRING INSTRUCTIONS

- 1) Loosen the 2 captive screws and remove the wiring box cover.
- 2) Loosen the 2 screws holding the cable clamp in position.
- 3) Loosen the cable gland and pass a 3 core cable †, from the control gear* where applicable, into the wiring box and make connections to terminal block.
- 4) Tighten the cable clamp followed by the cable gland.
- 5) Replace the wiring box cover and tighten the screws.

*When operating SON-TD lamps, a set of control gear is required for each lamp. Two suitable prewired control gear boxes are available under catalogue number OHA 4615 or OHA 4617. In the case of the OHA 4615, there is provision to directly mount the luminaire to the control gear box. See below.

Alternatively, a set of loose control gear may be used.

† MICC cable must *not* be used for the connection between the fitting and control gear (box). In addition, to achieve satisfactory lamp starting on 240V supplies, the cable capacitance must not exceed 2000 pf. Information on cable capacitance can be obtained from the cable manufacturer.

TEST FOR INSULATION AND CONTINUITY BEFORE SWITCHING MAINS SUPPLY ON.

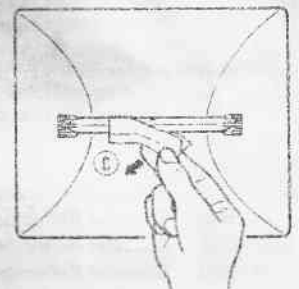
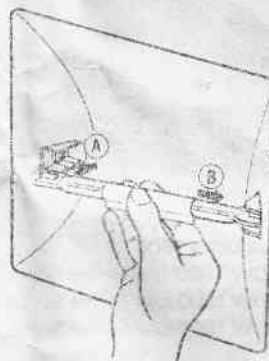
IN ORDER TO COMPLY WITH THE IP 54 RATING THE MAINS SUPPLY CABLE MUST BE BETWEEN 8 and 12mm O/D IF CABLES LESS THAN 8mm O/D ARE USED THE IP 54 CLASSIFICATION WILL NOT BE MET.

Note: ODW 1500 luminaires have the terminal block mounted on an insulator plate.

LAMP INSERTION AND REPLACEMENT

1. Hinge front frame assembly forward. Slacken ALL hinge screws.
2. Insert lamp into fitting. Note: Protective paper should be removed after insertion.
3. Close fitting ensuring that the front frame assembly is correctly seated and tighten the 4 screws securely to ensure a weather-proof seal.

NOTE: Fitting must be mounted within $\pm 4^\circ$ of the horizontal to achieve full lamp life when operating tungsten halogen lamps other than 200W & 300W for which universal mounting is possible. In the case of SON-TD lamps, $\pm 20^\circ$ is permissible.



LAMP TYPES FOR:

ODW 500:- 200W, 300W, 500W
 ODW 1000:- 750W, 1000W
 ODW 1500:- 1500W,
 400W, SON-TD

LINEAR TUNGSTEN
 HALOGEN WITH
 R7S CAPS

CLASSIFICATION FOR PROTECTION

Against electric shock: Class 1 earthed metal work.
 Against ingress of moisture or dust: IP 54 Dustproof and
 Splashproof.

COMPLIANCE WITH BS 4533

This luminaire complies with BS 4533 102.5. Luminaires for which
 Safety Mark approval has been granted by the British Standards
 Institution are identified by a suitable label on the product.

Made in the United Kingdom.

The right is reserved to change specifications without prior notifica-
 tion or public announcement.

**CONTROL GEAR BOXES (Only applicable when luminaire used
 with SON-TD lamp)**



OHA 4615 (Aluminium)

OHA 4617 (Sheet Steel)

In order to obtain gear boxes with the appropriate voltage control
 gear fitted, it is necessary to order as follows:-

- OHA 4615.2 400 W SON Control Gear Box c/w gear for 220V
 50HZ operation
- OHA 4615.4 400 W SON Control Gear Box c/w gear for 240V
 50HZ operation
- OHA 4617.2 400 W SON Control Gear Box c/w gear for 220V
 50HZ operation
- OHA 4617.4 400 W SON Control Gear Box c/w gear for 240V
 50HZ operation

Other voltages available to special order only.

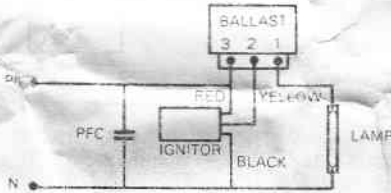
Note that OHA 4615 control gear box may be pole mounted using 2
 OHA 4613 universal pole clamps. The OHA 4613 is suitable for
 48mm – 89mm diameter poles.

**CONTROL GEAR (Only applicable when luminaire used with SON
 TD lamp)**

The following items are required for each lamp to be operated with
 remotely mounted control gear. It is essential that the information
 under 'Wiring Instructions' is borne in mind.

- Ballast G 53371.2 (220V 50HZ)
 G 53371.4 (240V 50HZ)
- Ignitor G 53406
- Capacitors GC 2331 x 2

CIRCUIT DIAGRAM (FOR SON-TD LAMPS)



FUSING

Recommended fuse ratings for a single fitting are as shown below.

Lamp Wattage	Supply Voltage	Fuse Rating
200W	240V	2A HRC
300W	240V	2A HRC
500W	240V	4A HRC
750W	240V	6.3A HRC
1000W	240V	6.3A HRC
1500W	240V	10A HRC
400W (SON-TD)	240V	15A HRC

SPARE ITEMS

- GT 1393 Mains Terminal Block
- GL 1208 Replacement Lampholder for ODW 500 & ODW 1000
- GL 1229 Replacement Lampholder for ODW 1500
- ODA Replacement Wiring Box Housing
- ODF 500 Replacement Front Frame for ODW 500 c/w Glass
- ODF 1000 Replacement Front Frame for ODW 1000 c/w Glass
- ODF 1500 Replacement Front Frame for ODW 1500 c/w Glass
- ODR 500 Replacement Reflector for ODW 500
- ODR 1000 Replacement Reflector for ODW 1000
- ODR 1500 Replacement Reflector for ODW 1500
- ODS 500 Specular Reflector for ODW 500 c/w Centre Screw
- ODS 1000 Specular Reflector for ODW 1000 c/w Centre Screw
- ODS 1500 Specular Reflector for ODW 1500 c/w Centre Screw