

THORN

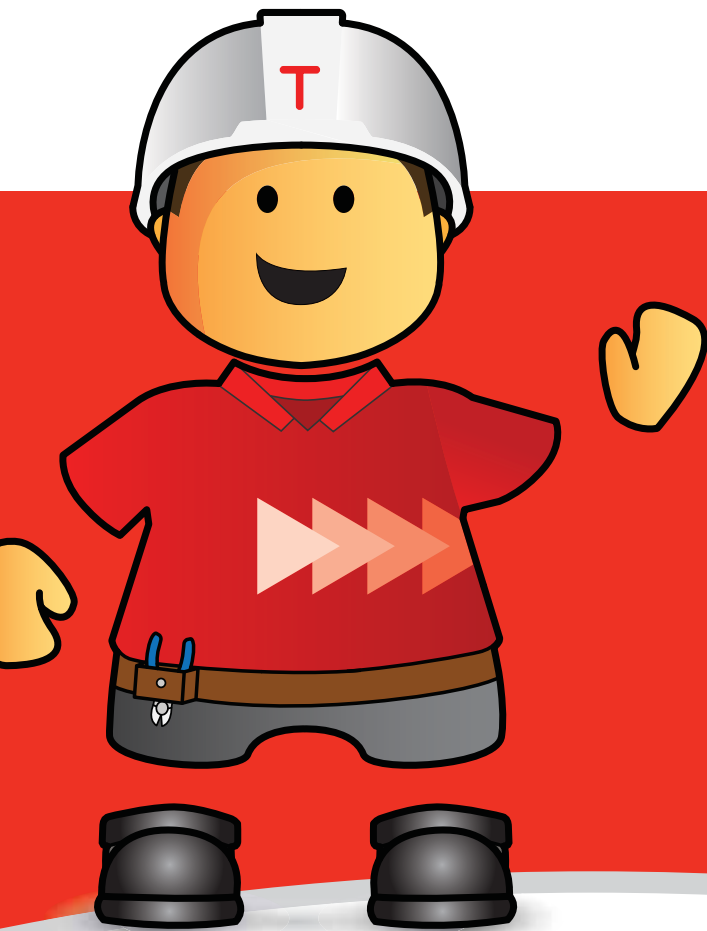
Install **9**
NEW PopPacks
in the same time it
used to take to do **4**



PopPack



Years to evolve
Seconds to install



Imagine being able to install a fluorescent batten in seconds, and then add 3 hour emergency capability and/or motion and daylight sensing also in seconds.

We not only imagined it, we designed it and are now manufacturing the new PopPack at our award winning Spennymoor factory, near Durham.

Why is new PopPack so great?

FixExpress

Quicker installation sequence

ConnectExpress

Easy access and connection

SafeExpress

Rapid authentic emergency module

SaveExpress

Presence and daylight detection module

As if there weren't enough reasons to convince you, we have also made sure that new PopPack scores very high on:

- Affordability
- Functionality
- Innovation and technology
- A big range to satisfy all popular commercial and industrial requirements
- Reliability
- Availability throughout the UK and Ireland

All fluorescent battens are NOT the same, new PopPack stands head and shoulders above the rest



PopPack Classic single batten



PopPack Classic batten with TwinLine clear prismatic diffuser



PopPack Compact

PopPack range overview

Traditional 'Classic' or unique, innovative, 'Compact' batten design



PopPack Classic batten

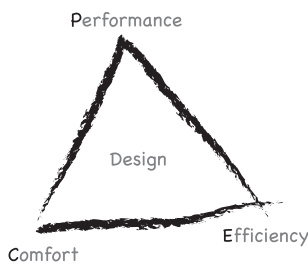
- Contemporary slim line design
- Single or twin lamps - T26 (T8) or T16 (T5)
- Flexibility - plug and play sensor/emergency modules
- A choice of attachments
- Suitable for a wide range of applications



PopPack Compact

- High light output (55W TC-L) from something so small (607mm long)
- Economy multi packs ideal for adhoc installations
- Single fix installation point
- Easy to handle and carry
- Flexibility - plug and play sensor/emergency modules
- Ideal for small space applications

PEC



Performance

Designed with a choice of high performance optical controllers to provide different lit effects to give the right light whatever the application.

Efficiency

At the heart of the new PopPack is ease and speed of installation saving time and money. Attachments for sensors and emergency expand the flexibility with minimal effort. Optimised optics (see table below) reduce energy requirements and therefore CO₂ emissions.

Comfort

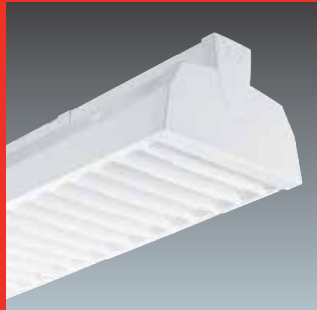
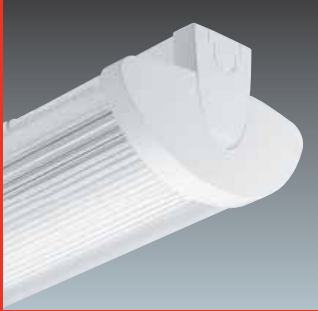
Modern styling combined with a choice of attachments offers consistency throughout the application space, providing satisfaction and stimulation.

Design Photometry	Lamp output lm	LOR	Fitting output lm	% output improvement
Type				
1 x 58W T8 old PopPack batten + clear prismatic diffuser	5200	79%	4108	
1 x 58W T8 new PopPack Classic batten + TwinLine clear prismatic diffuser	5200	92%	4784	+16

PopPack Classic attachments

PopPack has a range of attachments, from basic reflectors to more decorative attachments, to maximise its flexibility for a wider application appeal

- A choice of reflectors (wide & asymmetric) provides the right task light in the right direction
- Diffuser or louvre attachments are ideal for applications where glare control is required as part of the task lighting
- Robust wire guard – ideal for applications where lamp protection is required from impacts or projectiles
- Cornice attachment is designed specifically for lighting corridors



*PopPack Classic with
Cornice attachment*

FixExpress

Brilliantly simple and quick to fit

Patent pending fixing device improves speed of installation



Remove the FixExpress mounting plate(s) from the back spine



Fix mounting plate(s) to the surface/BESA box, using the fixing template supplied if required



Offer up the spine plate (see below) and, using the yellow snap ratchets, push home and secure with a short twist (see above)



PopPack Compact uses a single fix mounting plate with an anti rotate mechanism



ConnectExpress
Easy access and connection

Install **9**
NEW PopPacks
in the same time it
used to take to do **4**



The mounting plates allow quick wiring from BESA fixings



Easy routing of electrical wiring via rear of spine plate channel



The unusually flat profile of the spine plate allows easy access to the screw terminal block



'U' shaped cover 'snaps' onto the spine plate

See for yourself. View our video at:
www.thornlighting.co.uk/PopPack

Quicker
and **easier**
than any batten product
I've **ever** installed...

Paul Dodsworth - CLS Electrical
County Durham



SafeExpress

Rapid authentic emergency module

- A standards compliant, LED 'plug and play' 3 hour emergency conversion module
- Plugs directly into any new PopPack – no need for separate emergency versions (not suitable for 14/24W)
- Electrically connected in seconds
- Manual or SelfTest options
- The self-contained emergency LED is non-maintained
- Generous fitting spacings due to high output LED (see table)
- Long life LED eliminates the need for changes



1. Remove end cap



2. Replace with module



3. Slide lamp holder onto module



4. Connect module to spine plate wiring

Spacing data for 2m escape route

Centre-line Minimum illuminance (lux)	Mounting height (h)	Centre to end		Between centres	
		Maximum spacing (m)	Diversity	Maximum spacing (m)	Diversity
0.2 Trans	2.5	5.05	0.053	12.30	0.053
	3.0	5.30	0.077	13.40	0.077
	3.5	5.30	0.104	14.25	0.104
0.2 Axial	2.5	5.10	0.053	13.00	0.053
	3.0	5.35	0.077	13.75	0.077
	3.5	5.50	0.106	14.40	0.104
1.0 Trans	2.5	2.55	0.271	7.10	0.263
	3.0	2.50	0.390	7.30	0.372
	3.5	2.30	0.522	7.30	0.497
1.0 Axial	2.5	2.55	0.271	7.15	0.263
	3.0	2.50	0.382	7.30	0.371
	3.5	2.30	0.524	7.30	0.495

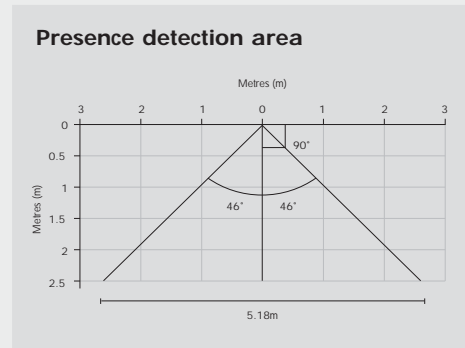
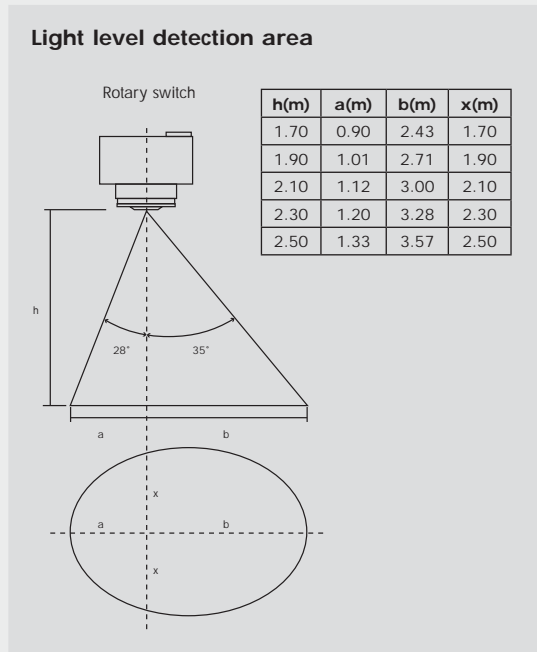
Centre band illumination is not less than 50% of centre-line value
Diversity = ratio of Emin to Emax. Limit ≥ 0.025

Open area

Minimum illuminance (lux)	Mounting height (h)	Maximum spacing (m)				Diversity
		Centre to end		Between centres		
		Trans	Axial	Trans	Axial	
0.5	2.5	2.55	2.50	8.65	8.60	0.130
	3.0	2.60	2.60	9.15	9.10	0.184
	3.5	2.60	2.60	9.50	9.50	0.247
5.0	2.5	-	-	3.20	3.20	0.897
	3.0	-	-	2.65	2.65	0.864
	3.5	-	-	2.00	2.00	0.854



- The 'plug and play' theme continues with a presence/daylight detection module (not suitable for 14/24W versions).
- The motion sensor enables the luminaire to be automatically switched on and off (15 mins Off delay time).
- The daylight detector operates when the ambient level drops below 350lux.
- The LED emergency and presence/daylight detection modules can be mounted on the same PopPack, simply by using both ends of the fitting.
- High frequency control gear gives potential energy savings of 20% when compared with switch start operation.



Classic battens, Compact and Modules

Lamps

- ⇒ 36-70W T26 (FD)
Linear fluorescent.
Cap: G13
- ⇒ 14-54W T16 (FDH)
Linear fluorescent.
Cap: G5
- ⇒ 55W TC-L (FSDH)
Compact fluorescent.
Cap: 2G11

Materials/Finish




Batten: pre-coated roll form steel, white.
End cap/lamp holders: injection moulded polycarbonate, white.
FixExpress mounting plate(s): injection moulded polycarbonate, white.
Sensor & emergency modules: Injection moulded polycarbonate.
ClipLine diffusers (T16 only): opal acrylic.
PopPack Compact diffuser: Clear prismatic UV stabilised polycarbonate.

Installation/Mounting

PopPack comes with FixExpress mounting plates to ensure rapid installation directly onto a surface or BESA box.

Classic versions have 600mm fixing centres except for 14/24W versions which are at 445mm centres. Supplied with a screw terminal block that accepts 2.5mm² cable and is suitable for loop in/loop out wiring. All internal wiring uses halogen free cable. Emergency and presence/daylight detection modules push fit on either end after the end caps have been removed and are connected with 'one-way' plugs and sockets. All attachments are installed without the need for any tools.

Standards

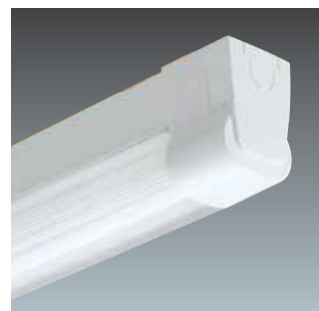
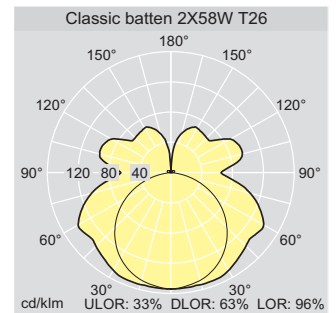
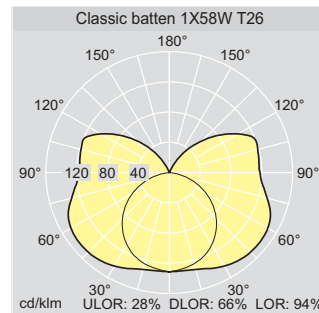
Designed and manufactured to comply with EN 60598 and EN 60598-2-22
⊕ Class I electrical
Ta 25°C
IK02 (with diffuser, or reflector combined with wire guard)
Glow wire 650°C (with diffuser) 850°C (without diffuser)
IP20    *



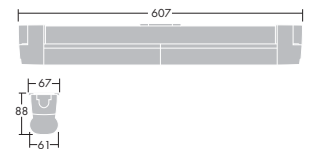
PopPack Classic T26 (T8) single batten



PopPack Classic T26 (T8) twin batten



PopPack Compact



PopPack Compact Ordering Guide

Supplied complete with lamp(s), diffuser and mounting plate

SAP Description	Weights (Kg)	SAP Code	UK Cat. No.
PopPack Compact with diffuser			
POPPACK COMPACT 1X55W TC-L HF L840 QTY 6*	8.4	96504899	PP155/6
POPPACK COMPACT 1X55W TC-L HF L840**	1.4	96239202	PP155

*Multi packed

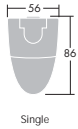
**Individually packed



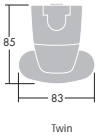
PopPack Classic T16 (T5) ClipLine diffuser - single (High output lamps)



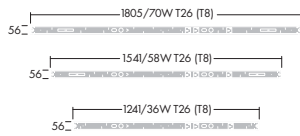
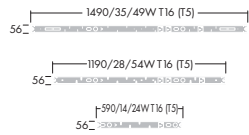
PopPack Classic T16 (T5) ClipLine diffuser - twin (High output lamps)



Single



Twin



PopPack Classic Battens Ordering Guide

Supplied complete with lamp(s) and mounting plates

SAP Description	Weights (Kg)	SAP Code	UK Cat No
PopPack Classic T26 (T8) Batten with long last lamps			
POPPACK CLASSIC 1X36W T26 HF L840	1.2	96504863	PPHF136
POPPACK CLASSIC 2X36W T26 HF L840	1.3	96504864	PPHF236
POPPACK CLASSIC 1X58W T26 HF L840	1.3	96504865	PPHF158
POPPACK CLASSIC 2X58W T26 HF L840	1.4	96504866	PPHF258
POPPACK CLASSIC 1X70W T26 HF L840	1.4	96504867	PPHF170
POPPACK CLASSIC 2X70W T26 HF L840	1.5	96504868	PPHF270

PopPack Classic T16 (T5) Batten with High Efficiency lamps (HE)			
POPPACK CLASSIC 1X14W T16 HF L840	1.0	96504875	PP114
POPPACK CLASSIC 1X28W T16 HF L840	1.2	96504877	PP128
POPPACK CLASSIC 2X28W T16 HF L840	1.2	96504878	PP228
POPPACK CLASSIC 1X35W T16 HF L840	1.3	96504879	PP135
POPPACK CLASSIC 2X35W T16 HF L840	1.4	96504880	PP235

PopPack Classic T16 (T5) Batten and High Output lamps (HO)			
POPPACK CLASSIC 1X49W T16 HF L840	1.3	96239233	PP149
POPPACK CLASSIC 2X49W T16 HF L840	1.4	96239235	PP249
POPPACK CLASSIC 1X54W T16 HF L840	1.2	96239234	PP154
POPPACK CLASSIC 2X54W T16 HF L840	1.2	96239236	PP254

PopPack Classic T16 (T5) Batten with ClipLine Diffuser and High Output lamps (HO)			
POPPACK CLASSIC 1X24W T16 HF OP L840	1.2	96504887	PPDB124
POPPACK CLASSIC 1X49W T16 HF OP L840	1.7	96504889	PPDB149
POPPACK CLASSIC 2X49W T16 HF OP L840	1.9	96504890	PPDB249
POPPACK CLASSIC 1X54W T16 HF OP L840	1.5	96504891	PPDB154
POPPACK CLASSIC 2X54W T16 HF OP L840	1.6	96504892	PPDB254

PopPack Classic T16 (T5) Dimmable batten with High Output lamps (HO)			
POPPACK CLASSIC 1X49W T16 HFD L840	1.7	96504895	PP149D
POPPACK CLASSIC 2X49W T16 HFD L840	1.9	96504896	PP249D
POPPACK CLASSIC 1X54W T16 HFD L840	1.5	96504897	PP154D
POPPACK CLASSIC 2X54W T16 HFD L840	1.6	96504898	PP254D

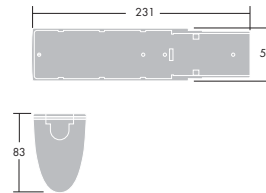
HF · High Frequency, HFD · High Frequency dimmable, OP · Opal



Presence/daylight detection module



LED emergency module



Emergency or presence/daylight detection module

Modules Ordering Guide

SAP Description	Weights (Kg)	SAP Code	UK Cat. No.
LED Emergency Module - SafeExpress			
POPPACK LED E3 KIT	0.4	96504901*	PPE3
POPPACK LED E3T KIT	0.4	96504902*	PPE3T
SwitchLite Module - SaveExpress			
POPPACK SLD KIT - Presence and daylight detection	0.2	96504903*	PPS

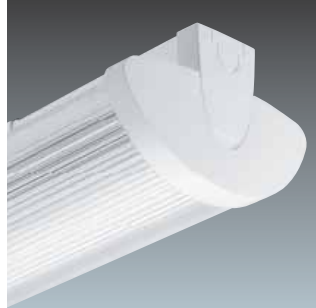
*Not suitable for 14/24W

E3 · 3 hour emergency version, E3T · 3 hour SelfTest emergency version

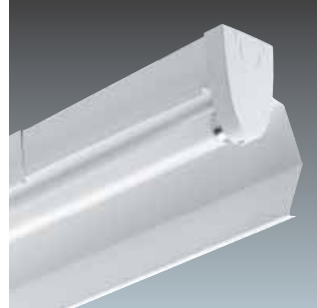
PopPack Classic attachments



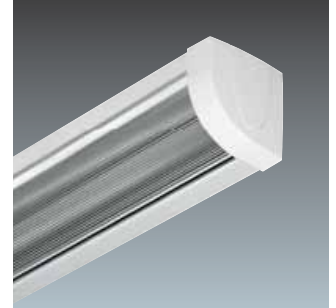
ClipLine diffuser - single



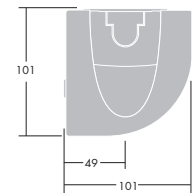
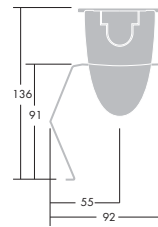
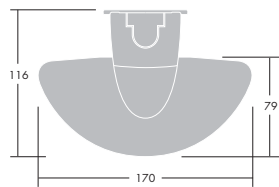
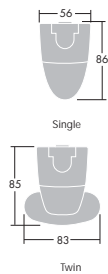
TwinLine clear prismatic diffuser



Asymmetric reflector



Cornice attachment



Materials/Finish

ClipLine diffusers (T16 only): opal acrylic.

TwinLine diffusers: clear prismatic acrylic or opal prismatic acrylic with white polycarbonate end caps.

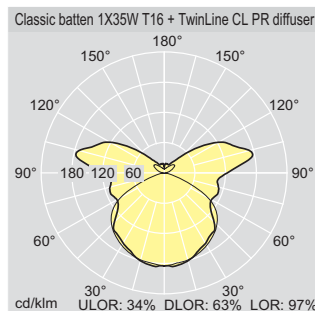
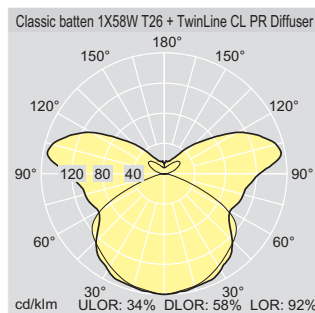
Asymmetric reflector: white steel.

Cornice attachment: white steel, clear prismatic plastic diffuser with white polycarbonate end caps.

Liteline white reflector: white steel.

Louvre inserts: white painted steel or Satinbrite aluminium.

Wire guard: zinc plated steel wire.



Ordering Guide

SAP Description	Weights (Kg)	SAP Code	UK Cat. No.
ClipLine Opal Diffuser			
POPPACK CLASSIC 1X14 DIFF KIT SA AC	0.2	96239193	PPD114
POPPACK CLASSIC 1X28 DIFF KIT SA AC	0.3	96239195	PPD128
POPPACK CLASSIC 2X28 DIFF KIT SA AC	0.4	96239196	PPD228
POPPACK CLASSIC 1X35 DIFF KIT SA AC	0.4	96239197	PPD135
POPPACK CLASSIC 2X35 DIFF KIT SA AC	0.5	96239198	PPD235
TwinLine Clear Prismatic Acrylic Diffusers			
POPPACK CLASSIC DIFF 1/2X36 CL PR AC	1.0	96239027	PPC36
POPPACK CLASSIC DIFF 1/2X58 CL PR AC	1.7	96239028	PPC58
POPPACK CLASSIC DIFF 1/2X70 CL PR AC	2.0	96239029	PPC70
POPPACK CLASSIC DIFF 1/2X28/54 CL PR AC	1.0	96239034	PPC28/54
POPPACK CLASSIC DIFF 1/2X35/49 CL PR AC	1.7	96239035	PPC35/49
TwinLine Opal Prismatic Acrylic Diffusers			
POPPACK CLASSIC DIFF 1/2X36 OP PR AC	1.0	96239030	PPD36
POPPACK CLASSIC DIFF 1/2X58 OP PR AC	1.7	96239031	PPD58
POPPACK CLASSIC DIFF 1/2X70 OP PR AC	2.0	96239032	PPD70
POPPACK CLASSIC DIFF 1/2X28/54 OP PR AC	1.0	96239037	PPD28/54
POPPACK CLASSIC DIFF 1/2X35/49 OP PR AC	1.7	96239038	PPD35/49
Asymmetric Reflector			
POPPACK CLASSIC REFL RAS 1X36	0.8	96239057	PPAR36
POPPACK CLASSIC REFL RAS 1X58	0.9	96239058	PPAR58
POPPACK CLASSIC REFL RAS 1X70	1.0	96239059	PPAR70
POPPACK CLASSIC REFL RAS 1X28/54	0.8	96239061	PPAR28/54
POPPACK CLASSIC REFL RAS 1X35/49	0.9	96239062	PPAR35/49
Cornice Diffuser in Clear Prismatic			
POPPACK CLASSIC ECU 1X36 CL PR PC	1.6	96239159	PPCOD36
POPPACK CLASSIC ECU 1X58 CL PR PC	2.4	96239160	PPCOD58
POPPACK CLASSIC ECU 1X70 CL PR PC	2.8	96239161	PPCOD70
POPPACK CLASSIC ECU 1X28/54 CL PR PC	1.6	96239162	PPCOD28/54
POPPACK CLASSIC ECU 1X35/49 CL PR PC	2.4	96239163	PPCOD35/49

RHW - white reflector, CL - clear, OP - opal, PR - prismatic, AC - acrylic, PC - Polycarbonate, RAS - Asymmetric, ECU - Cornice curved diffuser



LiteLine white reflector with white louvre insert



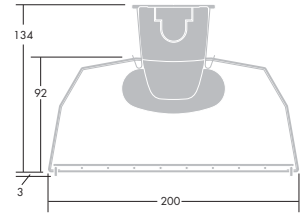
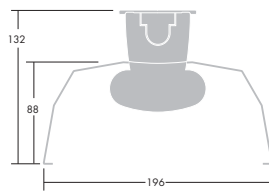
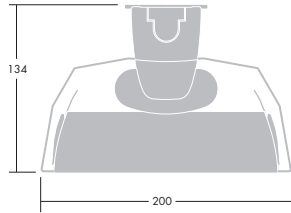
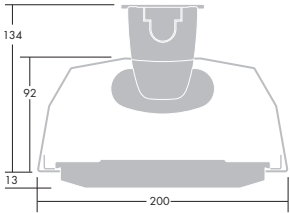
LiteLine white reflector with Satinbrite louvre insert



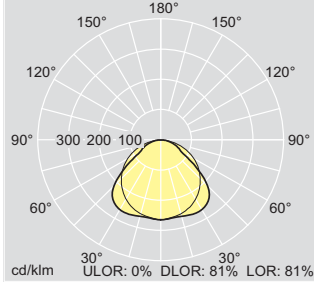
LiteLine white reflector - wide



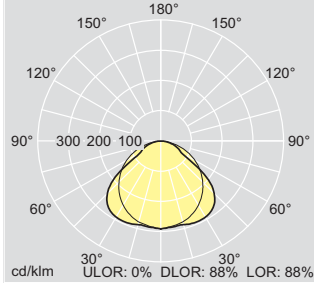
LiteLine white reflector with wire guard



Classic batten 1X58W T26 LiteLine reflector



Classic batten 1X35W T16 + LiteLine reflector



Ordering Guide (continued)

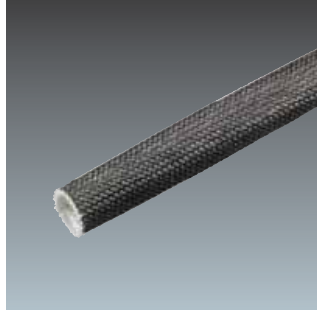
SAP Description	Weights (Kg)	SAP Code	UK Cat. No.
LiteLine White Reflector with White Vane Louvre insert			
POPPACK CLASSIC REFL LL 1/2X36	1.0	96239164	PPWL36
POPPACK CLASSIC REFL LL 1/2X58	1.1	96239165	PPWL58
POPPACK CLASSIC REFL LL 1/2X70	1.2	96239166	PPWL70
POPPACK CLASSIC REFL LL 1/2X28/54	1.0	96239167	PPWL28/54
POPPACK CLASSIC REFL LL 1/2X35/49	1.2	96239168	PPWL35/49
LiteLine White Reflector with Satinbrite Louvre insert			
POPPACK CLASSIC REFL DSB 1/2X36	0.9	96239051	PPSBL36
POPPACK CLASSIC REFL DSB 1/2X58	1.0	96239052	PPSBL58
POPPACK CLASSIC REFL DSB 1/2X70	1.1	96239053	PPSBL70
POPPACK CLASSIC REFL DSB 1/2X28/54	0.9	96239055	PPSBL28/54
POPPACK CLASSIC REFL DSB 1/2X35/49	1.0	96239056	PPSBL35/49
LiteLine White Reflectors			
POPPACK CLASSIC REFL 1/2X36 RHW	0.8	96239039	PPR36
POPPACK CLASSIC REFL 1/2X58 RHW	0.9	96239040	PPR58
POPPACK CLASSIC REFL 1/2X70 RHW	1.0	96239041	PPR70
POPPACK CLASSIC REFL 1/2X28/54 RHW	0.8	96239043	PPR28/54
POPPACK CLASSIC REFL 1/2X35/49 RHW	0.9	96239044	PPR35/49
Wire Guard Kit for use with LiteLine White Reflectors			
POPPACK CLASSIC KIT 1/2X36 WG (RHW)	1.5	96239045	PPWG36
POPPACK CLASSIC KIT 1/2X58 WG (RHW)	1.7	96239046	PPWG58
POPPACK CLASSIC KIT 1/2X70 WG (RHW)	1.9	96239047	PPWG70
POPPACK CLASSIC KIT 1/2X28/54 WG (RHW)	1.5	96239049	PPWG28/54
POPPACK CLASSIC KIT 1/2X35/49 WG (RHW)	1.7	96239050	PPWG35/49

RHW - white reflector, CL - clear, OP - opal, PR - prismatic, AC - acrylic, WG - wire guard, LL - White cross vane louvre, DSB - Parabolic satinbrite louvre

Accessories



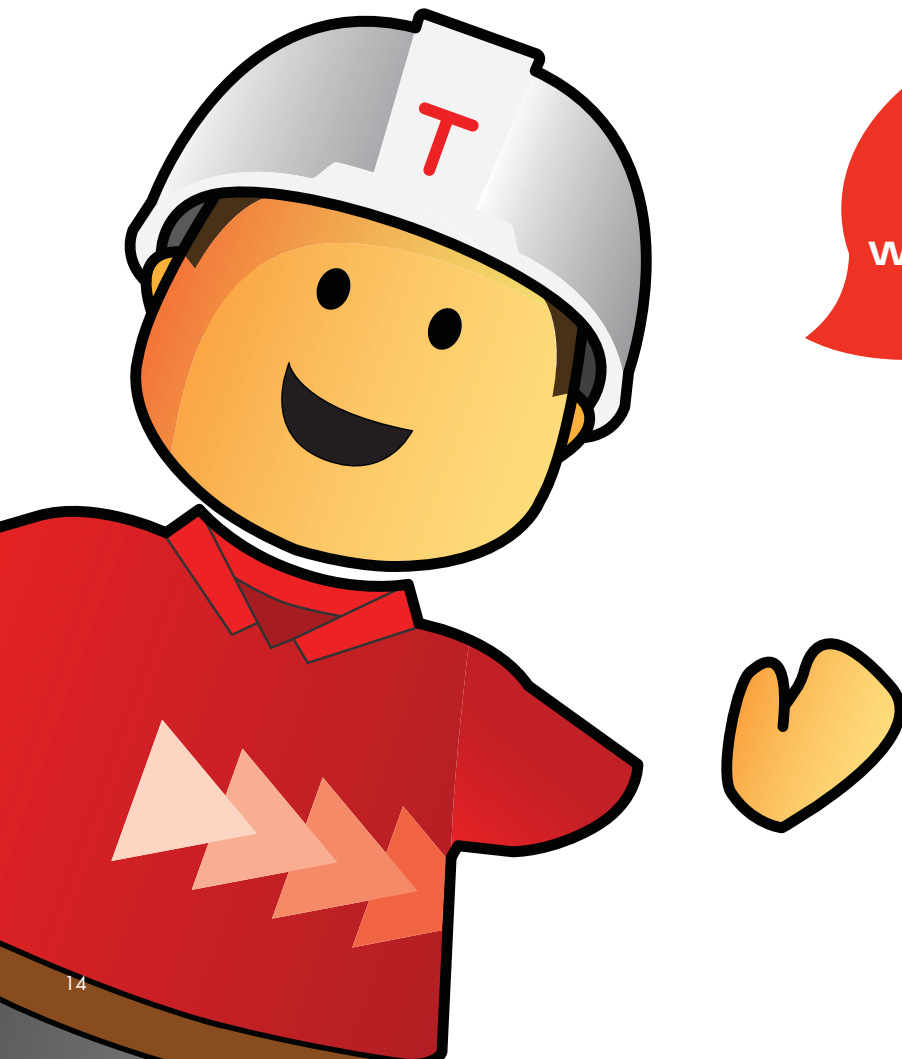
Mounting plate kit



Cable sheath kit

Accessories Ordering Guide

Description		Weight (Kg)	SAP code	UK Cat. No.
PopPack Mounting Plate - FixExpress				
POPPACK FIXEXPRESS BRA KIT QTY 20	For pre fixing at installation if required	1.0	96239192	PPFEK
Cable sheath				
POPPACK SLEEVING KIT	For use with rear channel wiring - 1500mm	0.5	96239220	PPSLVK
Trunking kit				
POPPACK TRUNKING FIX KIT	Single accessory kit for trunking installations via 20mm holes	1.0	96239199	PPTRK



See our full range
for yourself at:
[www.thornlighting.co.uk/
PopPack](http://www.thornlighting.co.uk/PopPack)

PopPack

The Incredible story

1959

1 Millionth fitting built

1966

The debut of the modern day 'PP' PopPack, in white, with a square cross section

1969

15 millionth fitting built!



1994

Louvre attachments for display screen use become standard

2010



Once again the PopPack redefines the humble fluorescent batten, and underlines why it remains the world's best selling light fitting.

Over 80 million PopPacks have now been sold

1950

1954

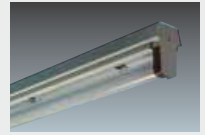
The 5ft.80W "HD" PopPack is launched - the first fluorescent fitting to be sold with its tube as a single package ready for the contractor to install on site



1960

1960

The 'HD' fitting is turned upside down and given a cover plate so that it can be fixed more easily. Marketed under the 'Superslim' name the fittings carry distinctive grey end-caps.



1967

A roll forming production line, where the sheet steel comes in big rolls, replaces slow brake presses
First use of 6ft 85W tubes

1970

1980

1981

Arrival of T26 (T8) tubes, soon to be followed by high frequency control gear. Sales exceed 50 million.



1990

1995

The Queen switches on the 60 millionth pack



2000

2010

THORN

Lighting people and places

Thorn Lighting Limited

UK

Silver Screens, Elstree Way, Borehamwood,
Hertfordshire, WD6 1FE

UK Project Pricing Quotations

Tel: 0844 391 2300
Fax: 0844 391 2301
E-mail: quotations.uk@thornlighting.com

UK Sales desk -

Orders/Stock Enquiries
Tel: 0844 855 4810
Fax: 0844 855 4811

Ireland

Thorn Lighting (Ireland) Limited
Century House
Harolds Cross Road
Dublin 6W
Tel: (353) 1 4922 877
Fax: (353) 1 4922 724
E-mail: dublinsales@thornlighting.com

Thorn Olympics Sports Lighting Team

Tel: 07785 251 438
E-mail: olympics.team@thornlighting.com

Spare Parts

Tel: 0191 301 3131
Fax: 0191 301 3038
E-mail: spares@thornlighting.com

Technical Support

Tel: 0844 855 4812
Fax: 020 8732 9882
E-mail: technical@thornlighting.com

Brochureline Answering Service

Brochures on specific products/ranges
Tel: 020 8732 9898
Fax: 020 8732 9899
E-mail: brochures.uk@thornlighting.com

www.thornlighting.co.uk

Thorn Lighting is constantly developing and improving its products. All descriptions, illustrations, drawings and specifications in this publication present only general particulars and shall not form part of any contract. The right is reserved to change specifications without prior notification or public announcement. All goods supplied by the company are supplied subject to the company's General Conditions of Sale, a copy of which is available on request. All measurements are in millimetres and weights in kilograms unless otherwise stated. Printed on Luxo Light.

Publication No: 501 (GB) Publication Date: 09/10



ISO 9001:2008
Reg: AT-00005/5
ISO 14001:2004
Reg: AT-00247/2
Manufacturing