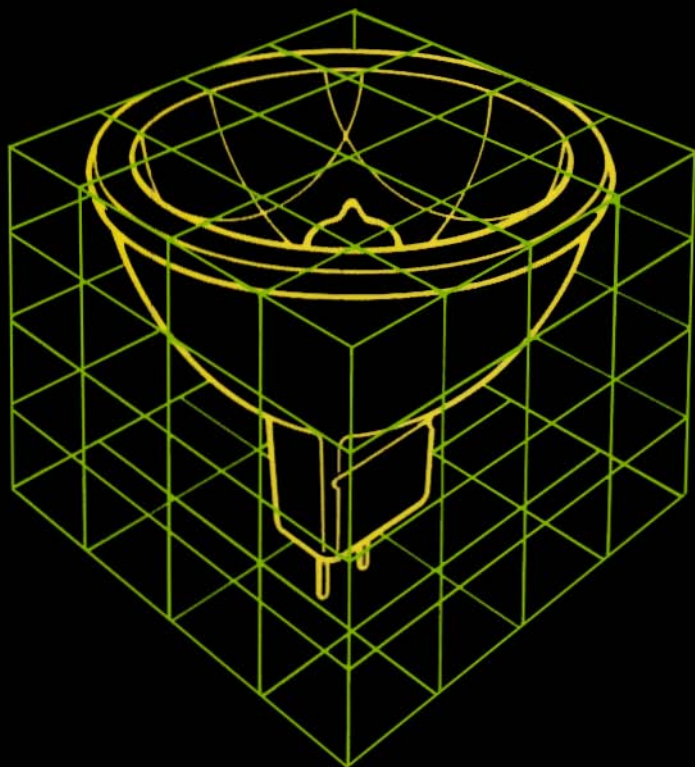


THE
COMPREHENSIVE
CATALOGUE
1987/8



 **THORN EMI Lighting**

INTERIOR INDUSTRIAL AND COMMERCIAL DISCHARGE LUMINAIRES

Hipak	58
Radpak	63
Lopak	64
Hipak, Lopak and Radpak Accessories	65
Kolorformat	66
Uplighting	68

HIPAK IP21

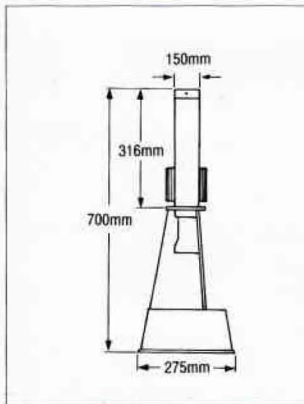
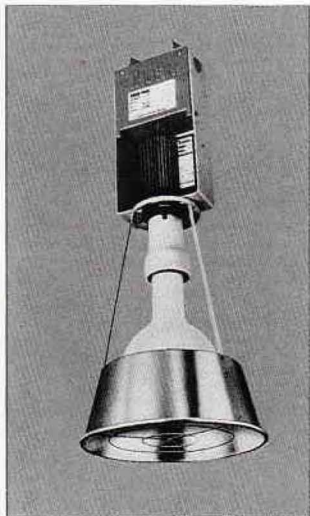
A comprehensive range of industrial luminaires designed for use in Factories, Warehouses, Stores, Foundries, Power Stations, Railway Stations, Sports Halls and Gymnasias.

The ballast is housed in an aluminium extrusion which with the wiring box is contained within a zinc epoxy covered steel frame. The wiring box has through facilities wiring with top and side entry and contains the capacitor, a large terminal block and an ignitor when required. Luminaires are easily installed using a 25mm clearance hole for conduit entry, with additional support lugs located on the steel frame.

Standard Range is suitable for 240V 50Hz supply (details of other supplies on application). Maximum light output is achieved by the precise design of reflector and the choice of three light distributions gives a high degree of flexibility in lighting design layout.

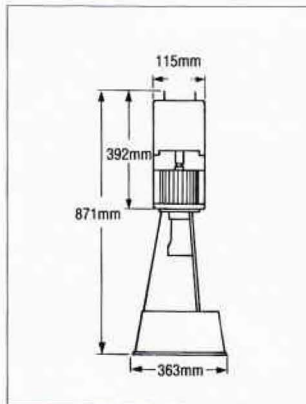
Wide, Medium and Narrow lighting distributions are obtainable with three parabolic reflectors covering lamp wattages from 250W to 1000W including High Pressure Sodium, Mercury and Metal Halide lamps.

The reflectors are self cleaning by directing an upward flow of air to pass over the lamp and light reflecting surfaces. A skirt reflector is available for use with Mercury reflector lamps and this is supplied complete with a protective wire guard. A wire guard and glass cover assembly are available as optional extras for parabolic reflectors. Complies with BS 4533:102-1 IP21 drip proof is safety marked and carries the 'F' symbol.



DHK 250/S & DHK 400/S

Operates 250W or 400W MBFR lamps in ambient temperatures between -20°C and +45°C.



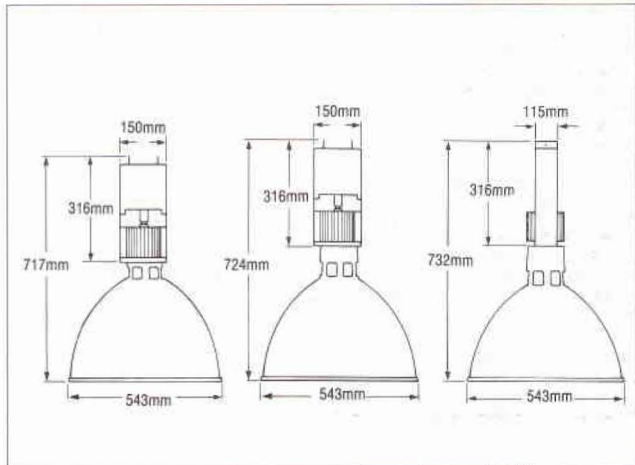
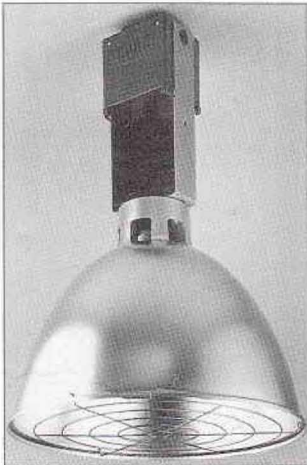
DHK 700/S & DHK 1000/S

Operates 700W or 1000W MBFR in ambient temperatures between -20°C and +40°C.

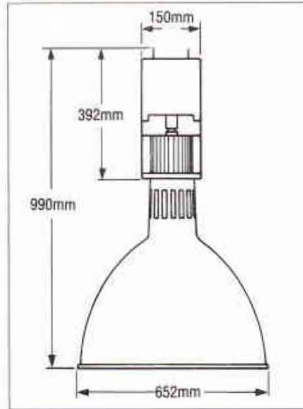
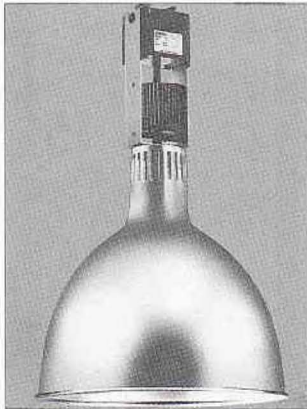
RANGE Packed less lamp which must be ordered separately

Rating	Lamp type	Complete luminaire Cat. no.	Control housing including gear Cat. no.	Reflector Cat. no.	Wire guard Cat. no.	Approx. weight inc. lamp kg
250W	MBFR	DHK 250/S	DHK 250	DHRS 400	Included	6-50
400W	MBFR	DHK 400/S	DHK 400	DHRS 400	Included	7-40
700W	MBFR	DHK 700/S	DHK 700	DHRS 1000	Included	13-90
1000W	MBFR	DHK 1000/S	DHK 1000	DHRS 1000	Included	14-00

Note: DHRS skirt reflector may be replaced by a DHRW, DHRM or DHRN parabolic reflector for use with MBFU lamps.



DHK 250/W & DHK 400/W, DHK 250/M & DHK 400/M, DHK 250/N & DHK 400/N



DHK 700/M & DHK 1000/M

DHK 250/W, 250/M & 250/N DHK 400/W, 400/M & 400/N

Operates 250W and 400W MBF lamps in ambient temperatures between -20°C and +45°C.

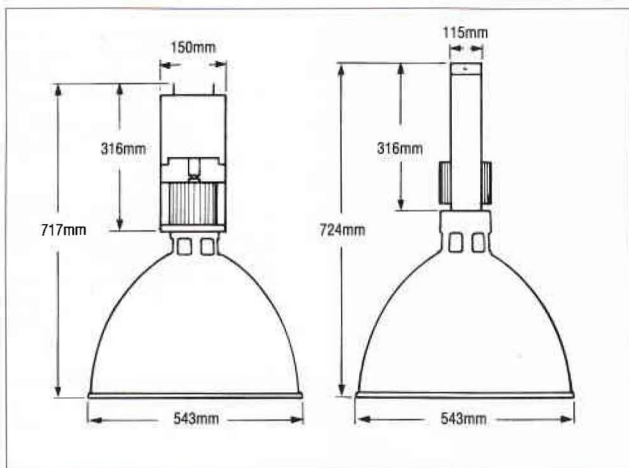
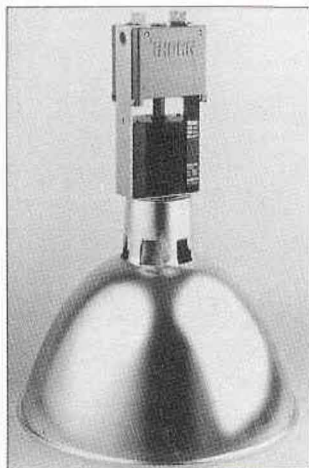
DHK 700/M & 1000/M

Operates MBF lamps in ambient temperatures between -20°C and +40°C.

RANGE Packed less lamp which must be ordered separately

Rating	Lamp type	Complete luminaire Cat. no.	Control gear housing including gear Cat. no.	Reflector Cat. no.	Optional wire guard Cat. no.	Optional glass cover assembly Cat. no.	Approx. weight inc. lamp kg
250W	MBF	DHK 250/W	DHK 250	DHRW 400	DHWG 400	DHGA 400	7-45
250W	MBF	DHK 250/M	DHK 250	DHRM 400	DHWG 400	DHGA 400	7-45
250W	MBF	DHK 250/N	DHK 250	DHRN 400	DHWG 400	DHGA 400	7-45
400W	MBF	DHK 400/W	DHK 400	DHRW 400	DHWG 400	DHGA 400	8-35
400W	MBF	DHK 400/M	DHK 400	DHRM 400	DHWG 400	DHGA 400	8-35
400W	MBF	DHK 400/N	DHK 400	DHRN 400	DHWG 400	DHGA 400	8-35
700W	MBF	DHK 700/M	DHK 700	DHRM 1000	DHWG 1000	-	15-70
1000W	MBF	DHK 1000/M	DHK 1000	DHRM 1000	DHWG 1000	-	15-80

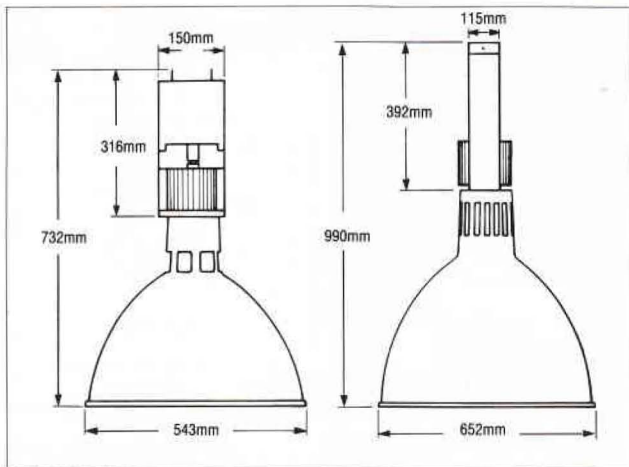
Note: DHRW, DHRM or DHRN parabolic reflectors can be replaced by a DHRS skirt reflector for use with MBFR lamps.



DHC 250/W, DHC 400/W DHC 250/M, DHC 400/M

DHC 250/W, 250/M & 250/N DHC 400/W, 400/M & 400/N DHC 1000/M

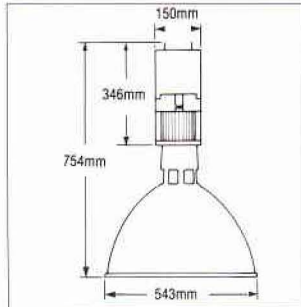
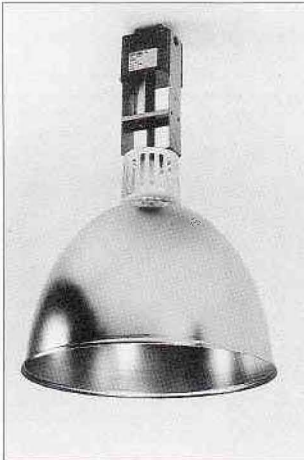
Operate MBIF lamps in ambient temperatures as follows: 250/400W -20°C to +45°C 1000W -20°C to +40°C. 1000W version operates on 415V 50Hz supply (wiring arrangement in the luminaire can be changed for 380V supply)



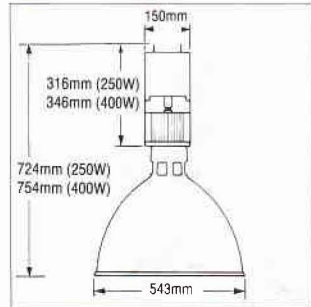
DHC 250/N, DHC 400/N DHC 1000/M

RANGE Packed less lamp which must be ordered separately

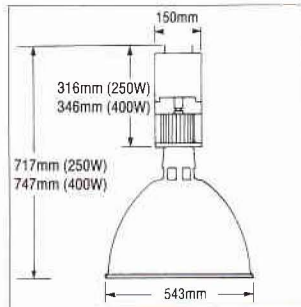
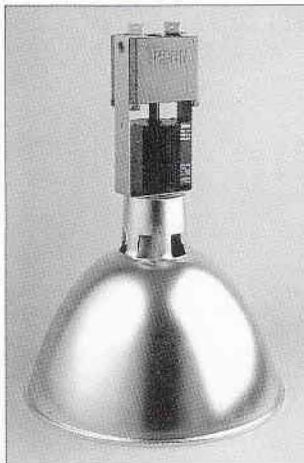
Rating	Lamp type	Complete luminaire Cat. no.	Control housing inc. gear Cat. no.	Reflector Cat. no.	Optional wire guard Cat. no.	Optional glass cover assembly Cat. no.	Approx. weight inc. lamp kg
250W	MBIF/BUH	DHC 250/W	DHC 250	DHRW 400	DHWG 400	DHGA 400	9-40
250W	MBIF/BUH	DHC 250/M	DHC 250	DHRM 400	DHWG 400	DHGA 400	9-40
250W	MBIF/BUH	DHC 250/N	DHC 250	DHRN 400	DHWG 400	DHGA 400	9-40
400W	MBIF/BU	DHC 400/W	DHC 400	DHRW 400	DHWG 400	DHGA 400	8-75
400W	MBIF/BU	DHC 400/M	DHC 400	DHRM 400	DHWG 400	DHGA 400	8-75
400W	MBIF/BU	DHC 400/N	DHC 400	DHRN 400	DHWG 400	DHGA 400	8-75
1000W	MBIF/U	DHC 1000/M	DHC 1000	DHRM 1000	DHWG 1000	-	15-80



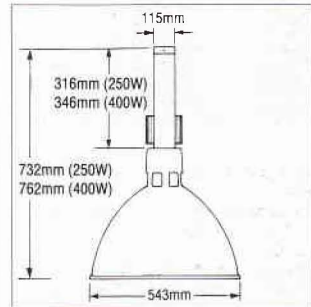
DHS 400/MDLT



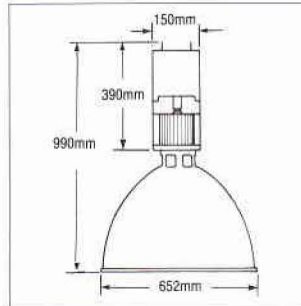
DHS 250/M & DHS 400/M



DHS 250/W & DHS 400/W



DHS 250/N & DHS 400/N



DHST 1000/M

DHS 250/W, 250/M & 250/N, DHS 400/W, 400/M & 400/N, DHS 400/M DLT
Operates 250W SON and SON-T lamps and 400W SON, SON-T and SONDL-T lamps in ambient temperatures between -40°C and $+45^{\circ}\text{C}$.

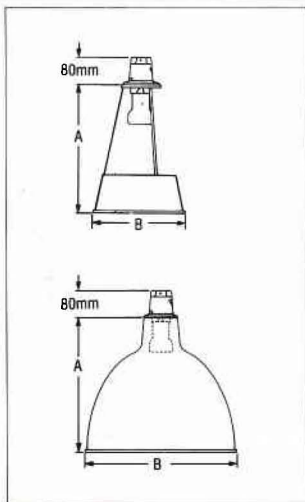
DHST 1000/M
Operates a 1kW SON lamp with remote gear in ambient temperatures between -40°C and $+40^{\circ}\text{C}$.

RANGE Packed less lamp which must be ordered separately

Rating	Lamp type	Complete luminaire Cat. no.	Control gear housing inc. gear Cat. no.	Reflector Cat. no.	Optional wire guard Cat. no.	Optional glass cover assembly Cat. no.	Approx. weight inc. lamp kg
250W	SON	DHS 250/W	DHS 250	DHRW 400	DHWG 400	DHGA 400	9.35
250W	SON	DHS 250/M	DHS 250	DHRM 400	DHWG 400	DHGA 400	9.35
250W	SON	DHS 250/N	DHS 250	DHRN 400	DHWG 400	DHGA 400	9.35
400W	SON	DHS 400/W	DHS 400	DHRW 400	DHWG 400	DHGA 400	10.45
400W	SON	DHS 400/M	DHS 400	DHRM 400	DHWG 400	DHGA 400	10.45
400W	SON	DHS 400/N	DHS 400	DHRN 400	DHWG 400	DHGA 400	10.45
400W	SON-DLT	DHS 400/MDLT	DHS 400	DHRM 400/DLT	DHWG 400	DHGA 400	10.45
1000W	SON	*	DHST 1000*	DHRM 1000*	DHWG 1000	-	7.00

Note: DHRM 400/DLT Reflector is designed for use with 400W de-luxe tubular lamp to achieve a medium lighting distribution.

* For complete luminaires, order these items together with RBSG 1000A remote gear box. Ignitor is included in DHST 1000



DHT 1000/S & 1000/M

DHT 1000/S and 1000/M accepts 250W/400W/700W and 1000W-MBF, MBFR, MBIF and SON/SON-T lamps. Also the 400W SON-DLT lamp when used with the DHRM 400/DLT reflector.

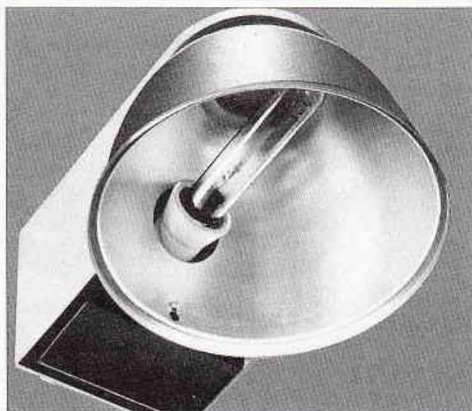
RANGE Packed less lamp which must be ordered separately

Lamp type and rating*	Wiring box and lampholder assembly	Reflector skirt	Reflector Cat. no. parabolic	Dimensions		Weight inc. lamp kg
				A mm depth	B mm diameter	
1000W MBIF/U	DHT 1000	—	DHRM 1000	598	652	3.6
1000W MBF	DHT 1000	—	DHRM 1000	598	652	3.6
700W MBF	DHT 1000	—	DHRM 1000	598	652	3.6
400W MBF	DHT 1000	—	DHRM 400	416	543	2.47
250W MBF	DHT 1000	—	DHRM 400	416	543	2.47
400W MBIF/BU	DHT 1000	—	DHRM 400	416	543	2.47
250W MBIF/BUH	DHT 1000	—	DHRM 400	416	543	2.47
400W SON-T	DHT 1000	—	DHRM 400	416	543	2.47
400W SON-DLT	DHT 1000	—	DHRM 400/DLT	408	543	2.47
250W SON-T	DHT 1000	—	DHRM 400	416	543	2.47
400W MBF	DHT 1000	—	DHRW 400	401	543	2.47
250W MBF	DHT 1000	—	DHRW 400	401	543	2.47
400W MBIF/BU	DHT 1000	—	DHRW 400	401	543	2.47
250W MBIF/BUH	DHT 1000	—	DHRW 400	401	543	2.47
400W SON-T	DHT 1000	—	DHRW 400	401	543	2.47
250W SON-T	DHT 1000	—	DHRW 400	401	543	2.47
400W MBF	DHT 1000	—	DHRN 400	408	543	2.47
250W MBF	DHT 1000	—	DHRN 400	408	543	2.47
400W MBIF/BU	DHT 1000	—	DHRN 400	408	543	2.47
250W MBIF/BUH	DHT 1000	—	DHRN 400	408	543	2.47
400W SON-T	DHT 1000	—	DHRN 400	408	543	2.47
250W SON-T	DHT 1000	—	DHRN 400	408	543	2.47
1000W MBFR	DHT 1000	DHRS 1000	—	479	362	2.47
700W MBFR	DHT 1000	DHRS 1000	—	479	362	2.47
400W MBFR	DHT 1000	DHRS 400	—	385	275	2.01
250W MBFR	DHT 1000	DHRS 400	—	385	275	2.01

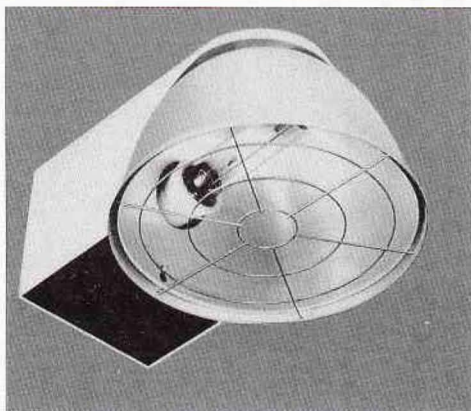
* See control gear and accessories section for appropriate gear box.

Note: Skirt or parabolic reflectors of the appropriate size can be used with the DHT 1000 top assembly. Both types are suitable for operation in ambient temperatures up to 45°C.

Remotely mounted control gear is required.



OPEN LUMINAIRE



LUMINAIRE WITH WIRE GUARD

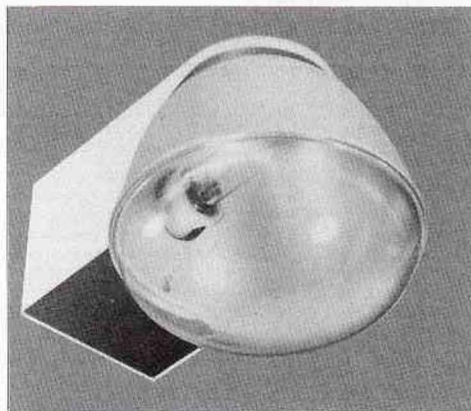
RADPAK IP21

A compact discharge luminaire designed for use at low and medium mounting heights up to 10 metres in industrial and commercial applications such as sports halls, warehouses, loading bays, shops, stores and factories. It is supplied complete with pre-wired control gear with plug and socket, lamp and parabolic aluminium reflector. It comprises a lightweight white glass reinforced polyester (GRP) body which houses the control gear offset on a black removable gear tray. The reflector is connected to the body assembly by three self-retaining screws. Accessories include a dished polycarbonate cover and a wireguard.

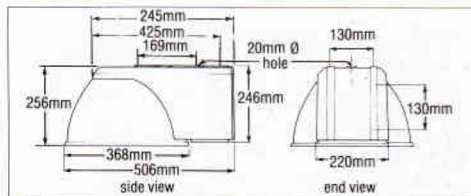
Mounting can be achieved by conduit, chain, close ceiling or wall. Chain suspension set is available as an optional extra. The self cleaning reflector gives a radial batwing distribution with good glare control enabling uniform lighting levels to be achieved.

For use in temperature range between -40°C and $+45^{\circ}\text{C}$ when close ceiling or wall mounted. Complies with BS4533 Part 102-2 IP21 and is safety marked. Also complies with 'F' mark requirements making it suitable for direct mounting on to flammable surfaces. Supply voltage 240V 50Hz. Details of luminaires for other supplies on application.

See data sheet 2DRS 1 for further details of the Radpak range.



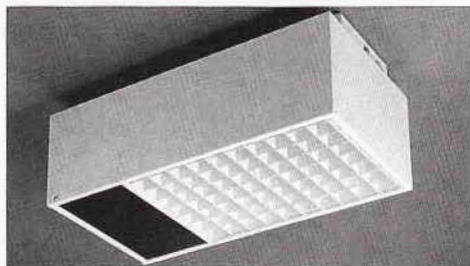
LUMINAIRE WITH VISOR



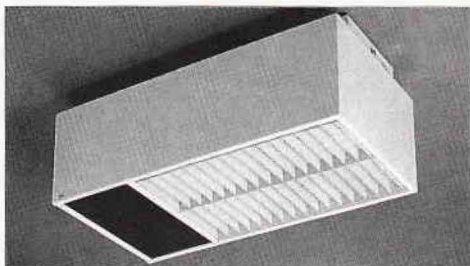
RANGE Luminaires are supplied complete with control gear, reflector and lamp (less lamp versions are available to order)

Rating	Lamp type	Luminaire Cat. no.	Optional cover	Optional wire guard	Weight inc. lamp and reflector kg
150W	SON-T	DRS 150	RV	RWG	6.45
250W	SON-T	DRS 250	RV	RWG	8.2
250W	SON-DLT	DRS 250 DLT	RV	RWG	8.2

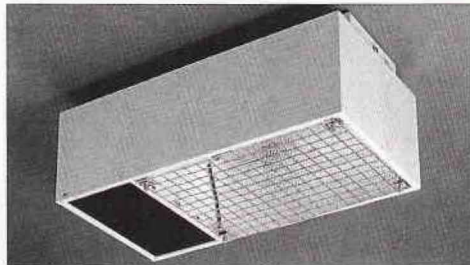
Chain suspension set Catalogue number RSH is available as optional extra.
Replacement reflector Catalogue number RR.



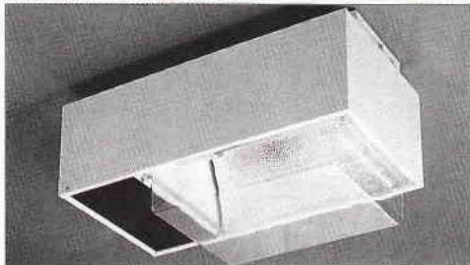
WITH DLE EGGRATE LOUVRE



WITH DLL TRANSVERSE LOUVRE



WITH DLG WIRE GUARD



WITH CLEAR POLYCARBONATE COVER

LOPAK IP21

A compact luminaire design for 150W/250W/400W SON, SON-T and SON-DLT, 250W/400W MBF and 250W/400W MBIF discharge lamps suitable for both industrial and commercial interiors. The luminaire comprises two items, the body, housing a horizontally mounted lamp with gear mounted adjacent on a removable cover and a ceiling plate. The luminaire is supplied complete with lamp, pre-wired mains lead with plug and socket and internal reflector. Wide range of optional attachments include wire guard, clear polycarbonate cover, eggcrate and transverse louvres.

For use in ambient temperatures between -40°C (MBF and MBI -20°C) and 45°C with the following exceptions:

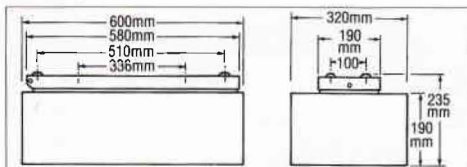
DLC 400 basic open luminaire up to 25°C

DLS 400 DLT, DLS 400 and DLK 400 versions are not thermally suitable for use with the DLV polycarbonate cover. See data sheet 2DL:1 for details.

Complies with BS4533.102-1 IP21 drip proof and luminaires are safety marked.

Lopak also complies with the 'F' mark which indicates its suitability for direct mounting on to a flammable surface.

Supply voltage 240V 50 Hz. Details of luminaires for other supplies on application.



RANGE Luminaires are supplied with ceiling plate, control gear, reflector and lamp (less lamp versions are available to order)

Rating	Lamp type	Luminaire Cat. no.	Optional wire guard	Optional cover	Optional transverse louvre ‡	Optional eggcrate louvre ‡	Weight inc. lamp kg
150W	SON-T*	DLS 150	DLG	DLV	DLL	DLE	11.2
250W	SON-T*	DLS 250	DLG	DLV	DLL	DLE	11.2
400W	SON-T*	DLS 400	DLG	***	DLL	DLE	13.5
250W	SONDL-T	DLS 250 DLT	DLG	DLV	DLL	DLE	11.2
400W	SONDL-T	DLS 400 DLT	DLG	***	DLL	DLE	13.5
250W	MBF	DLK 250	DLG	DLV	DLL	DLE	11.2
400W	MBF	DLK 400	DLG	***	DLL	DLE	13.5
250W	MBIF	DLC 250**	DLG	DLV	—	—	11.2
400W	MBIF	DLC 400**	DLG	DLV	—	—	13.5

* Tubular lamps are supplied as standard but elliptical lamp versions can be supplied to order

** DLC 400 and DLC 250 must be used with the flat glass (Cat. no. DLP) supplied with the luminaire and therefore cannot be physically used with DLL and DLE louvre attachments.

*** Not thermally suitable for use with DLV cover.

‡ A set of 4 clips (Cat. no. DLFC) for fixing louvres to Lopak is available as optional extra.

See data sheet 2:DL.1 for further details of the Lopak range.

HIPAK, LOPAK AND RADPAK ACCESSORIES

REPLACEMENT SPARES AND CONTROL GEAR FOR 240V 50HZ SUPPLIES

Cat. no.	Ballast	Capacitor	Ignitor	Lampholder	Terminal block
DHK 250	G53285-4	GC2370	—	GL 1196	GT1362/2
DHK 400	G53284-4	GC2331	—	GL 1196	GT1362/2
DHK 700	G53291-4	GC2386	—	GL 1196	GT1362/2
DHK 1000	G53292-4	GC2346	—	GL 1196	GT1362/2
DHS 250	G53435-4	GC2386	G53282A	GL 1196	GT1362/3
DHS 400	G53286-4	2 x GC2331	G53282A	GL 1196	GT1362/3
DHST 1000	3 x G53323-4*	2 x GC2386* 1 x GC2382*	G53316‡	GL 1196	GT1362/2
DHC 250	G53436-4	GC2386	G53283	GL 1196	GT1362/2
DHC 400	G53288-4	GC2331	G53283	GL 1196	GT1362/2
DHC 1000	G53299-T**	2 x GC2386	G53342	GL 1196	GT1362/4
DHT 1000†	—	—	—	GL 1196	GT1362/2
DRS 150	G53400-T	GC2331	G53282A	GL 1196	GT1364/3
DRS 250	G53398-T	GC2386	G53282A	GL 1196	GT1364/3
DRS 250 DLT	G53398-T	GC2386	G53282A	GL 1196	GT1364/3
DLK 250	G53399-T	GC2370	—	GL 1196	GT1364/3
DLK 400	G53397-T	GC2331	—	GL 1196	GT1364/3
DLS 150	G53400-T	GC2331	G53282A	GL 1196	GT1364/3
DLS 250	G53398-T	GC2386	G53282A	GL 1196	GT1364/3
DLS 400	G53371-T	2 x GC2331	G53282A	GL 1196	GT1364/3
DLS 250 DLT	G53398-T	GC2386	G53282A	GL 1196	GT1364/3
DLS 400 DLT	G53371-T	2 x GC2331	G53282A	GL 1196	GT1364/3
DLC 250	G53398-T	GC2386	G53283	GL 1196	GT1364/3
DLC 400	G53397-T	GC2346	G53283	GL 1196	GT1364/3

* Included in RBSG 1000/A gearbox

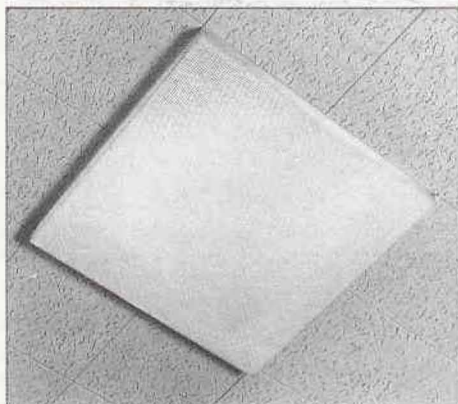
‡ Included in DHST 1000 wiring box

† Gearless versions. Remote gear is used. See Control gear and accessories.

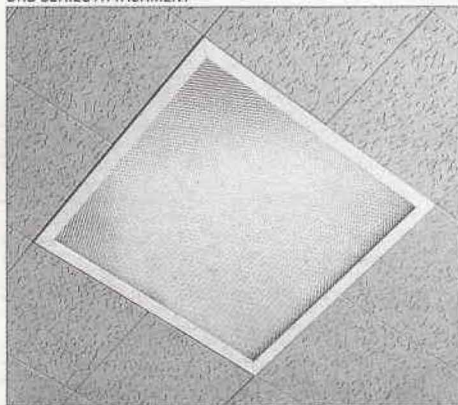
For appropriate types for circuit diagrams see Control gear and accessories section.

REPLACEMENT ATTACHMENTS

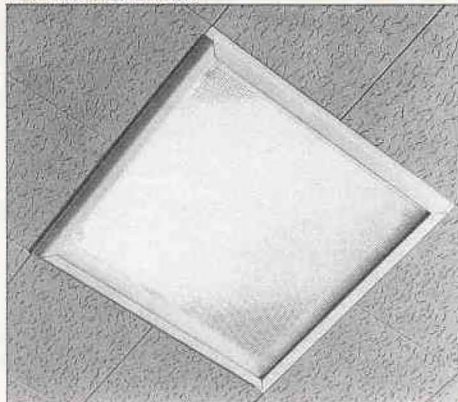
Cat. no.	Description
DHRW 400	Parabolic reflector for 250/400W Hipak — wide distribution
DHRM 400	Parabolic reflector for 250/400W Hipak — medium distribution
DHRN 400	Parabolic reflector for 250/400W Hipak — narrow distribution
DHRM 400/DL	Parabolic reflector for 400W SONDL-T Hipak — medium distribution
DHRM 1000	Parabolic reflector for 700/1000W Hipak — medium distribution
DHRS 1000	Skirt reflector for 700/1000W Hipak
DHRS 400	Skirt reflector for 250/400W Hipak
DHGA 400	Glass cover assembly for Hipak 250/400W parabolic reflectors
DHWG 400	Wire guard for Hipak 250/400W parabolic reflectors
DHWG 1000	Wire guard for Hipak 700/1000W reflector (DHRM 100)
DLE	Square cell louvre for Lopak
DLG	Wire guard for Lopak
DLL	Transverse louvre for Lopak
DLV	Polycarbonate cover for Lopak
DLP	Replacement protective glass for DLC 250 and DLC 400 Lopak
DLFC	Set of 4 fixing clips for Lopak louvres.
RV	Polycarbonate cover for Radpak
RWG	Wire guard for Radpak
RR	Replacement parabolic reflector for Radpak
RSH	Chain suspension set for Radpak



DKG SERIES ATTACHMENT



DKH SERIES ATTACHMENTS



DKF ATTACHMENT

A recessed modular luminaire range for discharge lamps of 125W to 400W. Available with two attachments – the DKG series of dished prismatic trimless controllers, and DKH series flat prismatic (TL 19) panels in shallow white metal frames. It is suitable for air extract from ventilated or air conditioned areas if the air-handling frame attachment is used. Three methods of suspension may be used – conduit, rod suspension, and side arm suspension. It is recommended that additional ceiling supports are fitted within 150mm of each corner of the luminaire.

The luminaire, 600mm x 600mm square (nominal) is compatible with most commercial ceiling systems and is suitable for all applications particularly where good colour rendering is required.

One standard housing accommodating the full range of lamps including 125W, 250W and 400W MBF, and 150W, 250W and 400W SON is common for imperial and metric ceilings. Attachments must be specified to suit the ceiling module.

Note: MBF circuits are rectified up to and including 250W. All luminaires are supplied with lamp. Luminaires comply with BS 4533-102-1 (1982) (IP20).

Indoor luminaires in general are designed to BS 4533-101 (1981) and, except where otherwise stated are 'Luminaires for use in normal atmospheres'. Where use in more onerous situations is contemplated, e.g. in part-completed buildings before drying out and made suitable for occupation – damp cellars, special processing plants etc., additional surface protection may be required. Special finishes for such applications can be agreed in consultation with your local THORN EMI Lighting office.

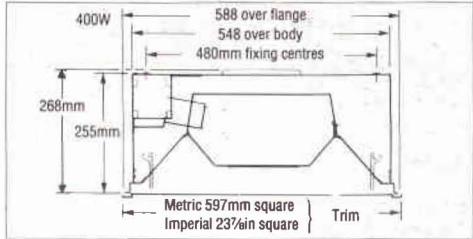
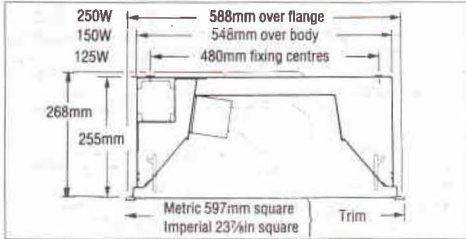
RANGE

HOUSING COMPLETE WITH CONTROL GEAR SUPPLIED C/W LAMP FOR 240V 50Hz SUPPLY

Nominal size mm	Watts	Lamp	Cat. no.	Approx. weight kg
600 x 600	250	MBIF	DKC 250	17.1
600 x 600	400	MBIF	DKC 400	19.1
600 x 600	125	MBF	DKK 125	15.0
600 x 600	250	MBF	DKK 250	15.5
600 x 600	400	MBF	DKK 400	19.0
600 x 600	150	SONDL-E	DKS 150	17.0
600 x 600	250	SONDL-E	DKS 250	17.0
600 x 600	400	SONDL-E	DKS 400	19.0

ATTACHMENTS

Description	Imperial Cat. no.	Metric Cat. no.
Prismatic (TL 19) trimless controller	DKG 22	DKG 62
Flat prismatic (TL 19) panel in shallow white metal trim	DKH 22	DKH 62
Flat prismatic (TL 19) panel in white metal air-handling frame	—	DKF 62

LUMINAIRE CROSS SECTION

ACCESSORIES

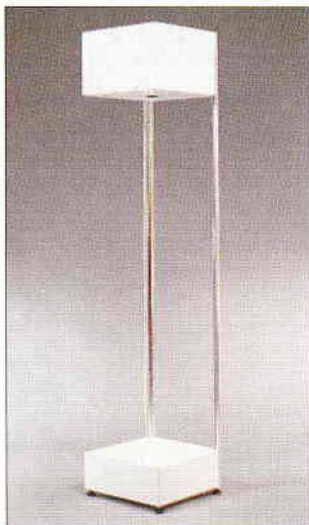
Cat. no.	Description
FTR 1001	Side arm suspension set (set of 4).
FTR 1002	Blanking plate (set of 2).
FTR 1003	Ducting adaptor box
FTR 1004	Damper Control Kit.
KL 4601	Rod suspension set.
DK 1	Stand by lighting unit.
DK 2	MBIF and SON Auxiliary lighting unit (Suitable for 250W circuits only).
DK 3	MBF Auxiliary Lighting unit

REPLACEMENT CONTROL GEAR FOR 240V 50HZ SUPPLY

Cat. no.	Ballast	Ignitor	Capacitor	Terminal block (fused)	Fuse (HRC)
DKC 250	G 53251-T or G 53321-T	G 53283	GC 2386	GT 1331	GT 1336 (10A)
DKC 400	G 53317	G 53283	GC 2346	GT 1331	GT 1330 (13A)
DKK 125	G 53306	-	GC 2383	GT 1331	GT 1268 (5A)
DKK 250	G 53198 or G 53315	-	GC 2370	GT 1331	GT 1336 (10A)
DKK 400	G 53317	-	GC 2331	GT 1331	GT 1330 (13A)
DKS 150	G 53335-T	G 53282/A	GC 2385	GT 1331	GT 1268 (5A)
DKS 250	G 53398	G 53250	GC 2386	GT 1331	GT 1336 (10A)
DKS 400	G 53371	G 53250	GC 2331/80 x 2	GT 1331	GT 1330 (13A)

For circuit diagrams see Control gear and accessories section.

UPLIGHTING



UPLIGHTING

Uplighting offers a comfortable, efficient and attractive means of lighting offices. The use of high intensity discharge lamps in commercial interiors is simplified by the use of this technique and is desirable due to the advantages that uplighting has over conventional lighting:-

- * when used for task lighting, uplights can be more efficient than conventional techniques.
- * improved visual conditions due to lack of veiling reflections
- * flexibility in installation, uplights can be run from a standard 13A supply thus reducing installation costs.
- * graduated brightness on ceiling prevents reflections in VDU screens which can cause discomfort and inefficient operation.

DUK

A free-standing cantilever design that is particularly convenient where space is limited. The model incorporates symmetric or asymmetric distribution reflectors, 2 metres of cable and 13A plug. An integral on/off switch is provided. A small aperture in the lamp housing allows the passage of downward light. The unit is finished in white with anodised aluminium legs. Lamps must be ordered separately.

DUK

Cat. no.	Description
DUK	Housing with symmetric distribution reflector
DUK/A	Housing with asymmetric distribution reflector
DCH 250	Gear tray for 250W MBIF
DSH 150	Gear tray for 150W SONDL-E
DSH 250	Gear tray for 250W SONDL-E
DUWG	Replacement wire-guard
DURS	Replacement symmetric distribution reflector
DURA	Replacement asymmetric distribution reflector

DIMENSIONS

Height: 1800mm
Width: 385mm
Length: 385mm
Weight: 24-0kg



DUH

A free-standing design incorporating twin 13A switched sockets, symmetric or asymmetric distribution reflectors, 2 metres of cable and 13A plug. The unit is finished in white with anodised aluminium legs. An integral on/off switch is provided. A small aperture in the lamp housing allows the passage of downward light. A smoked glass shelf is available as illustrated. Lamps must be ordered separately.

DIMENSIONS

Height: 1800mm
Width: 385mm
Length: 385mm
Weight: 25-0kg

DUH

Cat. no.	Description
DUH	Housing with symmetric distribution reflector
DUH/A	Housing with asymmetric distribution reflector
DCH 250	Gear tray for 250W MBIF
DSH 150	Gear tray for 150W SONDL-E
DSH 250	Gear tray for 250W SONDL-E
DUGL	Glass shelf
DUBR	Bracket kit for DUGL
DUWG	Replacement wire-guard
DURS	Replacement symmetric distribution reflector
DURA	Replacement asymmetric distribution reflector

UPLIGHTING



DUSD ▲

A decorative, free-standing model with highly polished reflector and dark brown base and column. The unit comes complete with 2 metres of cable and 13A plug. Lamps must be ordered separately.

DIMENSIONS

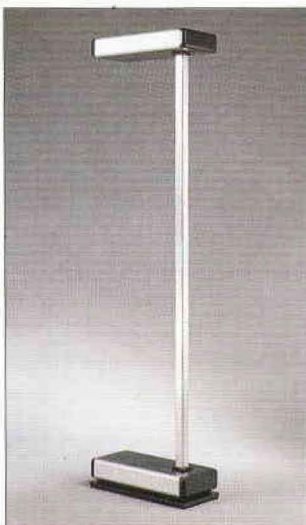
Height: 1800mm

Diameter: 430mm

Weight: 25.5kg

DUSD

Cat. no.	Description
DUSD/R	Polished reflector
DUSD/C	Painted column
DUSD/B 150	Base and gear for 150W SONDL-E
DUSD/B 250	Base and gear for 250W SONDL-E



DUSM ▲

A free-standing model with slim-line base and lamp housing. Available in silver or dark brown. The unit comes complete with 2 metres of cable and 13A plug. Lamps must be ordered separately.

DIMENSIONS

Height: 1850mm

Width: 220mm

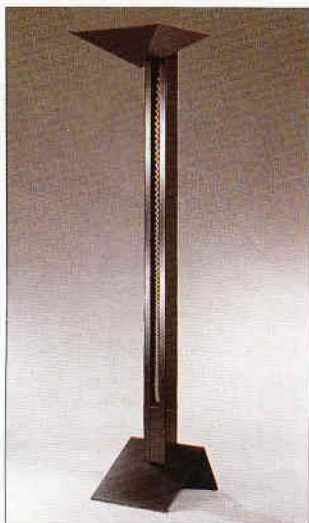
Length: 500mm

Weight: 23.5kg

DUSM

Cat. no.	Description
DUSM 150/BN	Fitting complete with gear for 150W SONDL-T, painted dark brown with silver column
DUSM 150/S	Fitting complete with gear for 150W SONDL-T, painted silver
DUSM 250/BN	Fitting complete with gear for 250W SONDL-T, painted dark brown with silver column
DUSM 250/S	Fitting complete with gear for 250W SONDL-T, painted silver

UPLIGHTING



DUSX ▲

A free-standing model in a sharply modern design. This uplight is complete with 2 metres of cable and 13A plug. It is available in black or white finishes. An integral on/off switch is provided. Lamps must be ordered separately.

DIMENSIONS

Height: 1800mm
Width: 410mm
Length: 410mm
Weight: 26.5kg

DUSX

Cat. no.	Description
DUSX 150/W	Fitting, painted white, complete with gear for 150W SONDL-T
DUSX 150/B	Fitting, painted black, complete with gear for 150W SONDL-T
DUSX 250/W	Fitting, painted white, complete with gear for 250W SONDL-T
DUSX 250/B	Fitting, painted black, complete with gear for 250W SONDL-T



DUSN ▲

A modern design of free-standing uplight. The model is finished in white with black legs and comes complete with 2 metres of cable with 13A plug. An integral on/off switch is provided. Lamps must be ordered separately.

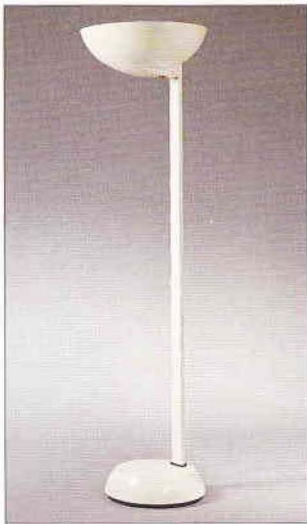
DIMENSIONS

Height: 1850mm
Width: 240mm
Length: 340mm
Weight: 24.0kg

DUSN

Cat. no.	Description
DUSN 150	Fitting complete with gear for 150W SONDL-T
DUSN 250	Fitting complete with gear for 250W SONDL-T

UPLIGHTING



DUY ▲

A classic free-standing design featuring a quality G.R.P. head moulding, slim aluminium column and spun aluminium base. The unit is available with optional twin 13A switched socket outlets. It comes complete with 2 metres of cable and 13A plug. Symmetric or asymmetric distribution reflectors are available. Finish is magnolia. An integral on/off switch is provided.

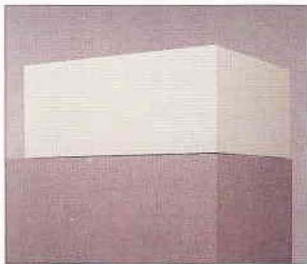
Lamps must be ordered separately.

Dimensions

Height: 1800mm
Diameter: 500mm
Weight: 23.0kg

DUY

Cat. no.	Description
DUY	Column and head assembly with symmetric distribution reflector
DUY/A	Column and head assembly with asymmetric distribution reflector
DCY 250	Base with gear for 250W MBIF
DSY 150	Base with gear for 150W SONDL-E
DSY 250	Base with gear for 250W SONDL-E
DCY 250/P	Base with gear for 250W MBIF and twin 13A sockets
DSY 250/P	Base with gear for 250W SONDL-E and twin 13A sockets



DUJ ▲

Uplight housing designed for shelf mounting or incorporation into office furniture. Finished in white. Available with symmetric or asymmetric distribution reflectors. An integral on/off switch is provided.

Lamps must be ordered separately.

Dimensions

Height: 205mm
Width: 365mm
Length: 500mm
Weight: 10.5kg

DUJ

Cat. no.	Description
DUJ	Housing with symmetric distribution reflector
DUJ/A	Housing with asymmetric distribution reflector
DCJ 250	Gear tray for 250W MBIF
DSJ 150	Gear tray for 150W SONDL-E
DSJ 250	Gear tray for 250W SONDL-E
DUWG	Replacement wire-guard
DURS	Replacement symmetric distribution reflector
DURA	Replacement asymmetric distribution reflector



DUL ▲

A wall-mounted uplight with asymmetric distribution reflector. Finish is magnolia.

Lamps must be ordered separately.

Dimensions

Height: 170mm
Width: 360mm
Length: 600mm
Weight: 10.5kg

DUL

Cat. no.	Description
DUCL 250	Fitting complete with gear for 250W MBIF
DUSL 150	Fitting complete with gear for 150W SONDL-E
DUSL 250	Fitting complete with gear for 250W SONDL-E