



PHILIPS
LIGHTING

**Comprehensive
Handbook
1980**

**Including
Technical Section**

PHILIPS

Europe's No.1 Lightmaker

COMMERCIAL FLUORESCENT LUMINAIRES

		Page
Streamlite Popular Lamps	PL1713/3	47
Streamlite Opal Diffusers	PL1717/1	51
Streamlite Clear Prismatic Controller	PL1718/2	55
Streamlite Kombipak	PL1887	59
Feature	PL1719/2	63
Feature Opal Diffuser	PL1722/1	67
Feature Clear Prismatic Controller	PL1723/1	71

SURFACE MOUNTED

Finesse with Clear Prismatic Controller	PL1730/1	75
Finesse with De luxe Attachments	PL1731	79
Polyprism Prismatic Controller	PL1745/2	83

RECESSED

FT Planner 300mm	PL1735/2	87
FT Planner 600mm	PL1739	91
LT Planner 600mm	PL1797	95
OT Planner 600mm	PL1737	99
Planner Luminaires	PL1803/1	103
CT Planner 600mm	PL1738	107
ET Planner	PL1712/1	111

WIDESPREAD RECESSED & SURFACE MOUNTED

Widespread Finesse A.7950 TLP	PL1724/1	115
Widespread Finesse A.7925/6 TLP	PL1725	119
Widespread TCS429 Mirror Controller	PL1726/1	123
Widespread FT Planner	PL1727/2	127
Widespread ET Planner	PL1728/1	131
Widespread Zonalux	PL1854/1	135

STREAMLITE POPULAR

General-purpose luminaires
for fluorescent lamps



Streamlite luminaires may be used as battens, with trough or angle reflectors for industrial use, or with diffusers or prismatic controllers for commercial applications.

The battens are attractively finished in white metalwork with mid-grey, rebated end caps.

125W 2400mm(8ft) packs are available in switchstart versions, or fitted with Philips E start ES06 electronic starters and low-loss ballasts.

RANGE

All available with one or two lamps.

Battens only:

- 40W 1200mm (4ft) switchstart
- 65W 1500mm (5ft) switchstart and starterless
- 85W 1800mm (6ft) starterless
- 125W 2400mm (8ft) switchstart

Packs with White 35 lamp(s):

- 20W 600mm (2ft) switchstart
- 40W 1200mm (4ft) switchstart
- 65W 1500mm (5ft) switchstart
- 85W 1800mm (6ft) starterless
- 125W 2400mm (8ft) switchstart
- 125W 2400mm(8ft) electronic start

APPLICATIONS

For use in normal indoor situations such as:-

- Small or large offices
- Shops and departmental stores
- Corridors
- Stock and store rooms
- Canteens
- Workshops

Handbook Ref.

1.21/1

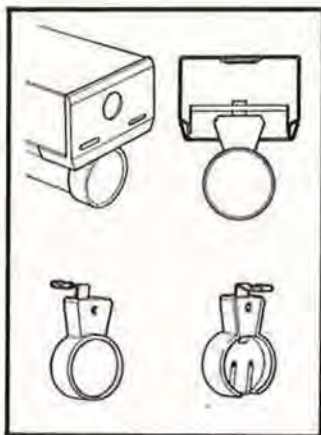
To reorder this Data Sheet quote 9.79 PL 1713/3

Replaces

PL 1713/2

FEATURES

- Easily mounted on to a standard BS box which it covers completely.
- End caps feature 20mm (3/4 in.) knockouts for end conduit terminations and peg-and-socket locations to align luminaires mounted end-to-end.
- Low-loss ballasts are firmly attached with nuts and studs for efficient heat transfer. Terminals provide positive connections, with no screws to come loose.
- The steel channel and cover plate are Durawhite stoved finish for long service and retention of reflective properties.
- Miniature two-contact starter switches have tough insulated canisters and are neatly located in the side of the channel. In two-lamp luminaires, each starter switch is placed on the same side as the lamp it serves.
- PQ8E, PQ28E, SQ8E and SQ28E versions are fitted with Philips E start ES06 electronic starters to improve starting at low temperatures.



- Spring-mounted, injection-moulded lampholders are fixed in seconds, and one person can re-lamp a luminaire from one end. Lampholders of two-lamp luminaires are individually mounted, so that one lamp can be removed without disturbing the other, and are keyed to prevent accidental cross-over.

SPECIFICATION

- Type compliance with BS 4533 2.2 Class I ordinary indoor.

To specify state:

Switchstart/starterless types:-

Batten fluorescent lamp luminaires complying with BS 4533 2.2, with Durawhite finish, for metric and Imperial fixing, covering a BS box similar to Philips Streamlite.

Electronic start types:-

As above, but low-loss ballast and ES06 electronic starter.

MATERIALS & FINISH

Channels and cover plates: Sheet steel, Durawhite stoved finish.

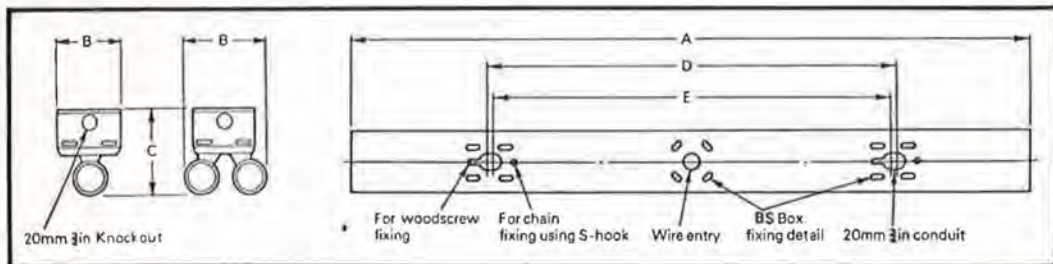
Channel end caps: Grey medium-impact polystyrene.

Sprung bi-pln lampholders: White urea mouldings fitted to plated spring steel supports.

RANGE OF OPERATION

240V 50Hz.

Normal indoor conditions.



DIMENSIONS, WEIGHTS & ELECTRICAL DATA

Catalogue numbers		Rating	Overall length (A) mm/in.	Fixing centres (E/D) mm/in.	Weight with Lamp(s) kg/lb.	Electrical characteristics		
Packs (battens with White 35 lamps)	Battens only types					Circuit Watts (running)	Circuit current (Amperes)	Minimum Power Factor
Switchstart types								
P2	—	1-lamp 20W 600mm (2ft)	624/24-6	460/18	2-0/4-4	30-0	0-37	0-33
P22	—	2-lamp 20W 600mm (2ft)	624/24-6	460/18	3-9/7-8	51-5	0-23	0-85
P4	S4	1-lamp 40W 1200mm (4ft)	1234/48-6	600/24	3-0/6-6	51-5	0-23	0-85
P24	S24	2-lamp 40W 1200mm (4ft)	1234/48-6	600/24	4-3/9-5	103	0-46	0-85
P5	S5	1-lamp 65W 1500mm (5ft)	1534/60-5	600/24	4-2/9-4	77	0-34	0-85
P25	S25	2-lamp 65W 1500mm (5ft)	1534/60-5	600/24	6-6/14-5	154	0-68	0-85
P8	S8	1-lamp 125W 2400mm (8ft)	2409/95	1200/48	5-4/11-9	137	0-94	0-66 LDG
P28	S28	2-lamp 125W 2400mm (8ft)	2409/95	1200/48	8-4/18-5	276	1-88	0-66 LDG
Electronic start types								
PQ8E	SQ8E	1-lamp 125W 2400mm (8ft)	2409/95	1200/48	5-4/11-9	137	0-94	0-65 LDG
PQ28E	SQ28E	2-lamp 125W 2400mm (8ft)	2409/95	1200/48	8-4/18-5	276	1-88	0-65 LDG
Starterless types								
—	SQ5	1-lamp 65W 1500mm (5ft)	1534/60-5	600/24	4-4/9-7	77	0-33	0-9
—	SQ25	2-lamp 65W 1500mm (5ft)	1534/60-5	600/24	6-8/15-0	154	0-66	0-9
PQ6	SQ6	1-lamp 85W 1800mm (6ft)	1800/71	600/24	4-6/10-1	96	0-46	0-9
PQ26	SQ26	2-lamp 85W 1800mm (6ft)	1800/71	600/24	7-1/15-6	192	0-92	0-9

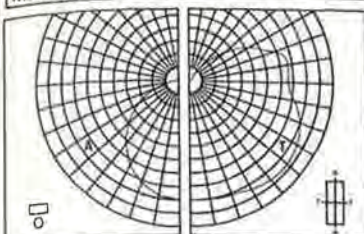
Overall width (B): (one lamp) 76mm (3in.)
(two lamps) 98mm (3-8in.)

Overall depth (C): 100mm (4in.)

PHOTOMETRIC DATA

STREAMLITE BATTEN 1 LAMP

BATTEN WITHOUT ATTACHMENT
Mounting SUSPENDED



CIE Flux Number 213955

SHR MAX (Square)	2.00
SHR MAX TR (Transverse)	2.67

ULORL .24	Multiply by each Service Correction Factor
DLORL .67	
LORL .91	

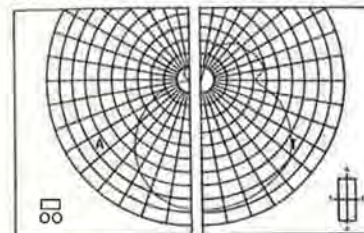
Glare Data (IES)

Flux Fraction Ratio	.36
ACG Classification	ACG2
For R _i = 2.5 at SHR = NOM	BZ6
Luminous Area (sq cm)	
20W 40W 65W 85W 125W	
450 900 1100 1300 1750	

Measured	BS 5225 Part 1 1975
Calculated	I.E.S TR 2 and TR 10
Test No	A612 Dated: 76.08.26

STREAMLITE BATTEN 2 LAMP

BATTEN WITHOUT ATTACHMENT
Mounting SUSPENDED



CIE Flux Number 234256

SHR MAX (Square)	1.86
SHR MAX TR (Transverse)	2.35

ULORL .28	Multiply by each Service Correction Factor
DLORL .65	
LORL .93	

Glare Data (IES)

Flux Fraction Ratio	.43
ACG Classification	ACG2
For R _i = 2.5 at SHR = NOM	BZ6
Luminous Area (sq cm)	
20W 40W 65W 85W 125W	
600 1150 1450 1750 2300	

Measured	BS 5225 Part 1 1975
Calculated	I.E.S TR 2 and TR 10
Test No	A617 Dated: 76.09.01

Photoset direct from Photometer tape output

Service Correction Factors

	20W 600 mm	40W 1200 mm	65W 1500 mm	85W 1800 mm	125W 2400 mm
Rating Factor	1.00	1.00	1.00	1.00	1.00
Amalgam Factor		1.00	1.00		
Ballast Lumen Factor SS	0.98	1.00	0.99		0.98
Ballast Lumen Factor XS			0.95	0.96	

Utilization Factors UF (F)

Room Reflectances			Room Index								
C	W	F	0.75	1.0	1.25	1.5	2.0	2.5	3.0	4.0	5.0
70	50	10	42	47	52	56	62	66	69	73	75
	30		35	40	45	49	56	60	64	68	72
	10		31	35	40	44	51	56	59	65	68
			38	42	47	51	56	60	63	66	69
50	50	10	38	37	41	45	51	55	58	63	66
	30		29	32	37	41	47	52	55	60	63
	10		35	39	43	46	51	54	57	60	62
			31	34	38	42	47	51	53	57	60
30	50	10	27	30	34	38	43	47	50	55	58
	30		23	25	29	32	37	40	43	47	49
	10										
	0	0	0								

Multiply by each Service Correction Factor

Service Correction Factors

	20W 600 mm	40W 1200mm	65W 1500mm	85W 1800mm	125W 2400mm
Rating Factor	1.00	1.00	1.00	1.00	1.00
Amalgam Factor		1.00	1.00		
Ballast Lumen Factor SS	0.98	1.00	0.99		0.98
Ballast Lumen Factor XS			0.95	0.96	

Utilization Factors UF (F)

Room Reflectances			Room Index								
C	W	F	0.75	1.0	1.25	1.5	2.0	2.5	3.0	4.0	5.0
70	50	10	45	50	55	59	65	69	72	76	78
	30		39	43	49	53	60	64	67	72	75
	10		34	38	44	48	55	60	63	68	72
			41	45	50	54	59	62	65	68	71
50	50	10	36	40	45	49	54	58	61	65	68
	30		32	36	40	45	51	55	58	63	66
	10		38	41	45	48	53	56	59	62	64
			33	36	41	44	49	53	56	59	62
30	50	10	30	33	37	41	46	50	53	57	60
	30		26	28	31	35	39	42	45	48	51
	10										
	0	0	0								

Multiply by each Service Correction Factor

CIRCUIT COMPONENTS

Catalogue number	Ballast catalogue number	Starter catalogue number	Capacitor
Switchstart			
P2	BCS20	S10	none
P22	BCS40	2 x S2	3.5 mfd 10% 250V
P4, S4	BCS40	S10	3.5 mfd 10% 250V
P24, S24	2 x BCS40	2 x S10	2 x 3.5 mfd 10% 250V
P5, S5	BCS65	S10	5.5 mfd 10% 250V
P25, S25	2 x BCS65	2 x S10	2 x 5.5 mfd 10% 250V
P8, S8	BBS125	S18	7.2 mfd 5% 440V
P28, S28	2 x BBS125	2 x S18	2 x 7.2 mfd 5% 440V
Electronic start			
PQ8E	1 x BBE125	ES06	7.2 mfd 5% 440V
PQ28E	2 x BBE125	ES06	7.2 mfd 5% 440V
SQ8E	1 x BBE125	ES06	7.2 mfd 5% 440V
SQ28E	2 x BBE125	ES06	7.2 mfd 5% 440V
Starterless			
SQ5	BBX65	none	8.4 mfd 5% 250V
SQ25	2 x BBX65	none	2 x 8.4 mfd 5% 250V
PQ6, SQ6	BBXK85	none	8.4 mfd 5% 250V
PQ26, SQ26	2 x BBXK85	none	2 x 8.4 mfd 5% 250V



ORDERING DATA

Rating	Circuit	Catalogue Number	
		Pack (ballens with White 35 lamps)	Battens only
1-lamp 20W 600mm (2ft)	Switch	P2	—
2-lamp 20W 600mm (2ft)	Switch	P22	—
1-lamp 40W 1200mm (4ft)	Switch	P4	S4
2-lamp 40W 1200mm (4ft)	Switch	P24	S24
1-lamp 65W 1500mm (5ft)	Switch	P5	S5
1-lamp 65W 1500mm (5ft)	Starterless	—	SQ5
2-lamp 65W 1500mm (5ft)	Switch	P25	S25
2-lamp 65W 1500mm (5ft)	Starterless	—	SQ25
1-lamp 85W 1800mm (6ft)	Starterless	PQ6	SQ6
2-lamp 85W 1800mm (6ft)	Starterless	PQ26	SQ26
1-lamp 125W 2400mm (8ft)	Switch	P8	S8
2-lamp 125W 2400mm (8ft)	Switch	P28	S28
1-lamp 125W 2400mm (8ft)	E start	PQ8E	SQ8E
2-lamp 125W 2400mm (8ft)	E start	PQ28E	SQ28E

Battens and packs are supplied packed individually.

Please order in the form given in the following example:
50 Philips luminaires SQ25.

Made in Great Britain.

STREAMLITE POPULAR

Opal Diffusers



Diffusers mainly for commercial applications, with rectangular-section bodies with linear external reeding. Standard push-fit grey end caps have a textured surface; self-adhesive infill plates are available to give a wood grain effect. Diffusers are available in two widths: for use with a single lamp only, or in a wider version for one or two lamps.

RANGE

Diffusers are available in the narrow version to fit all Streamlite Popular one-lamp battens, and in the wider version to fit one- and two-lamp battens in 1200mm (4ft), 1500mm (5ft), 1800mm (6ft) and 2400mm (8ft) sizes. Diffuser couplers are available to make a neat join between diffusers mounted end-to-end.

APPLICATIONS

- Small and large offices
- Shops and stores
- Travel concourses
- Banks and Building Societies
- Canteens
- Corridors

Handbook Ref

1.21/2

To reorder this Data Sheet quote

9.79 PL 1717/1

Replaces

PL 1717

FEATURES

■ Opal polystyrene extrusions with external linear reeding maintain an attractive appearance whether lit or unlit.

■ Push-fit end caps in grey medium-impact polystyrene have an inset textured surface (see illustrations below).

■ Optional self-adhesive infill plates give wood grain finish to end caps.

■ Optional diffuser couplers make a neat join between diffusers mounted end-to-end.

■ 125W versions now also in E start.

MATERIALS & FINISH

Channels and cover plates: Sheet steel, Durawhite stoved finish.

Channel end caps: Grey medium-impact polystyrene mouldings.

Sprung bi-pin lampholders: white urea mouldings fitted to plated spring steel supports.

Diffuser: Opal polystyrene extrusion with push-fit grey polystyrene end caps and two support straps.

Decorative infill plates: Self-adhesive composition.

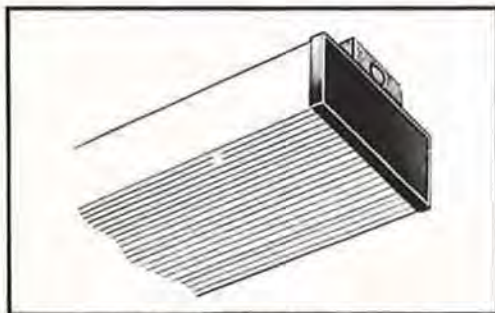
Diffuser coupler: Sheet steel, Durawhite stoved finish.

RANGE OF OPERATION

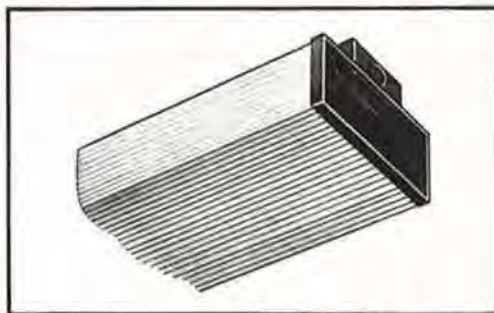
240V 50Hz.

Normal indoor conditions up to 25°C (single lamp up to 30°C).

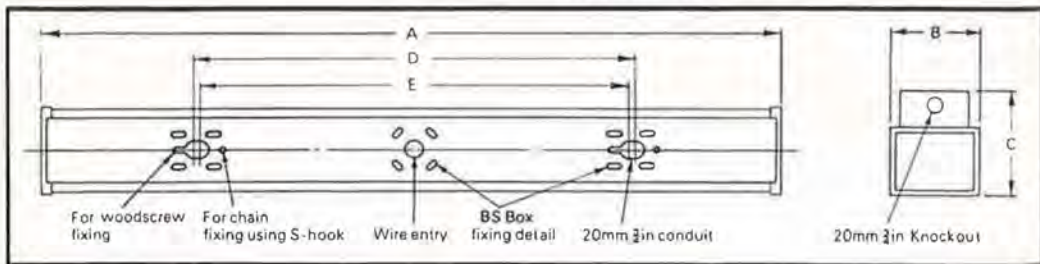
Not suitable for wall-mounting.



Close-up of Catalogue Number DF25 opal diffuser.



Close-up of Catalogue Number DF25 opal diffuser with decorative infill type WG2 fitted to end cap to give a wood grain effect.



DIMENSIONS & WEIGHTS

Pack (batten with White 35 lamp)	Catalogue numbers Batten only	Diffuser assembly only	Weight complete with lamps (kg/lb)	Overall length A (mm/in.)	Batten Fixing centres E/D (mm/in.)
P2	—	DF2	2.4/4.8	632/25	480/18
P4	S4	DF4	3.6/7.9	1242/49	600/24
P4	S4	DF24	3.9/8.6	1242/49	600/24
P24	S24	DF24	5.7/12.5	1242/49	600/24
P5	S5	DF5	4.9/10.8	1542/61	600/24
—	SQ5	DF5	5.1/11.2	1542/61	600/24
P5	S5	DF25	5.3/11.7	1542/61	600/24
—	SQ5	DF25	5.5/12.1	1542/61	600/24
P25	S25	DF25	7.7/16.9	1542/61	600/24
—	SQ25	DF25	7.9/17.4	1542/61	600/24
PQ6	SQ6	DF6	5.4/11.9	1808/71.2	600/24
PQ6	SQ6	DF26	5.8/12.8	1808/71.2	600/24
PQ26	SQ26	DF26	8.3/18.3	1808/71.2	600/24
P8	S8	DF8	6.5/14.3	2417/95.2	1200/48
P8	S8	DF28	7.0/15.4	2417/95.2	1200/48
P28	S28	DF28	10.0/22.0	2417/95.2	1200/48
PQ8E	SQ8E	DF8	6.5/14.3	2417/95.2	1200/48
PQ8E	SQ8E	DF28	7.0/15.4	2417/95.2	1200/48
PQ28E	SQ28E	DF28	10.0/22.0	2417/95.2	1200/48

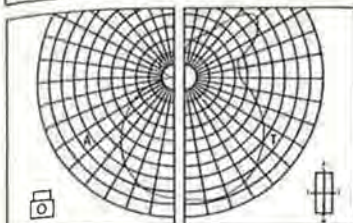
Overall width B: one lamp 97mm (3.8in.)
one or two-lamp 160mm (6.3in.)
Overall depth C: (both types) 115mm (4.5in.)

PHOTOMETRIC DATA

STREAMLITE 1 LAMP

WITH WIDE DIFFUSER

Mounting: SUSPENDED



CIE Flux Number 173141

SHR MAX (Square)	1.84
SHR MAX TR (Transverse)	2.24

ULORL .29	Multiply by each Service Correction Factor
DLORL .47	
LORL .76	

Glare Data (IES)

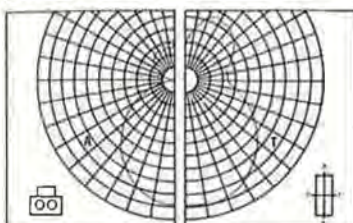
Flux Fraction Ratio	.62		
ACG Classification	ACG2		
For R _i = 2.5 at SHR = NOM	B26		
Luminous Area (sq cm)			
40W	65W	85W	125W
1987	2467	2893	3867

Measured: BS 5225 Part 1 1975
 Calculated: I.E.S. TR 2 and TR 10
 Test No: A871 Dated: 77.12.09

STREAMLITE 2 LAMP

WITH WIDE DIFFUSER

Mounting: SUSPENDED



CIE Flux Number 172934

SHR MAX (Square)	1.77
SHR MAX TR (Transverse)	2.10

ULORL .25	Multiply by each Service Correction Factor
DLORL .42	
LORL .67	

Glare Data (IES)

Flux Fraction Ratio	.80		
ACG Classification	ACG2		
For R _i = 2.5 at SHR = NOM	B25		
Luminous Area (sq cm)			
40W	65W	85W	125W
1987	2467	2893	3867

Measured: BS 5225 Part 1 1975
 Calculated: I.E.S. TR 2 and TR 10
 Test No: A873 Dated: 77.12.14

Service Correction Factors

	mm	40W 1200mm	65W 1500mm	85W 1800mm	125W 2400mm
Rating Factor		1.00	1.00	1.00	0.96
Amalgam Factor			1.10		
Ballast Lumen Factor SS		1.00	0.99		0.98
Ballast Lumen Factor XS			0.95	0.96	

Utilization Factors UF (F)

Room Reflectances			Room Index								
C	W	F	0.75	1.0	1.25	1.5	2.0	2.5	3.0	4.0	5.0
70	50	10	36	40	44	47	52	55	57	60	62
	30		31	35	39	43	48	51	54	57	60
	10		27	31	35	39	44	48	51	55	57
50	50	10	32	35	39	42	46	49	51	53	55
	30		28	31	35	38	43	46	48	51	53
	10		25	28	32	35	40	43	45	49	51
30	50	10	29	31	34	37	40	43	45	47	48
	30		25	28	31	34	38	40	42	45	47
	10		23	25	28	31	35	38	40	43	45
0	0	0	19	20	23	25	28	31	32	35	37

Multiply by each Service Correction Factor

Service Correction Factors

		40W 1200mm	65W 1500mm	85W 1800mm	125W 2400mm
Rating Factor		1.00	1.00	1.00	0.96
Amalgam Factor			1.12		
Ballast Lumen Factor SS		1.00	0.99		0.98
Ballast Lumen Factor XS			0.95	0.96	

Utilization Factors UF (F)

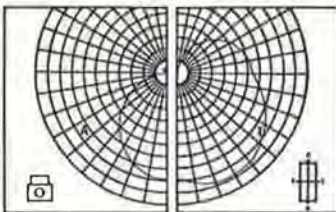
Room Reflectances			Room Index								
C	W	F	0.75	1.0	1.25	1.5	2.0	2.5	3.0	4.0	5.0
70	50	10	32	36	40	43	47	49	51	54	55
	30		28	32	35	39	43	46	48	51	53
	10		25	28	32	35	40	43	46	49	51
50	50	10	29	32	35	38	41	44	45	48	49
	30		26	29	32	35	39	41	43	46	48
	10		23	26	29	32	36	39	41	44	46
30	50	10	26	29	31	34	37	39	40	42	44
	30		23	26	29	31	34	37	38	41	42
	10		21	23	26	29	32	35	37	39	41
0	0	0	18	19	21	24	26	28	30	32	33

Multiply by each Service Correction Factor

PHOTOMETRIC DATA
STREAMLITE DIFFUSER 1 LAMP

WITH NARROW DIFFUSER

Mounting: SUSPENDED



CIE Flux Number 163041

SHR MAX	(Square)	1.99
SHR MAX TR	(Transverse)	2.57

ULORL	.22	Multiply by each Service Correction Factor
DORL	.50	
LORL	.72	

Glare Data (IES)

Flux Fraction Ratio	.44
ACG Classification	ACG1
For RI = 2.5 at SHR = NOM	B26

Luminous Area (sq cm)

20W	40W	65W	85W	125W
613	1205	1496	1754	2344

Measured: BS 5225 Part 1 1975

Calculated: I.E.S. TR 2 and TR 10

Test No: A682 Dated: 76.12.09

Photoset direct from Photometer tape output.

ORDERING DATA

Rating	Circuit	Catalogue numbers		
		Batten with White 35 lamp	Batten only	Diffuser assembly
1 x 20W 600mm (2ft)	Switch	P2	—	DF2
1 x 40W 1200mm (4ft)	Switch	P4	S4	DF4
1 x 40W 1200mm (4ft)	Switch	P4	S4	DF24
2 x 40W 1200mm (4ft)	Switch	P24	S24	DF24
1 x 65W 1500mm (5ft)	Switch	P5	S5	DF5
1 x 65W 1500mm (5ft)	Starterless	—	SQ5	DF5
1 x 65W 1500mm (5ft)	Switch	P5	S5	DF25
1 x 65W 1500mm (5ft)	Starterless	—	SQ5	DF25
2 x 65W 1500mm (5ft)	Switch	P25	S25	DF25
2 x 65W 1500mm (5ft)	Starterless	—	SQ25	DF25
1 x 85W 1800mm (6ft)	Starterless	PQ6	SQ6	DF6
1 x 85W 1800mm (6ft)	Starterless	PQ6	SQ6	DF26
2 x 85W 1800mm (6ft)	Starterless	PQ26	SQ26	DF26
1 x 125W 2400mm (8ft)	Switch	P8	S8	DF8
1 x 125W 2400mm (8ft)	Switch	P8	S8	DF28
2 x 125W 2400mm (8ft)	Switch	P28	S28	DF28
1 x 125W 2400mm (8ft)	Electronic "E Start"	PQ8E	SQ8E	DF8
2 x 125W 2400mm (8ft)	Electronic "E Start"	PQ8E	SQ8E	DF28
2 x 125W 2400mm (8ft)	Electronic "E Start"	PQ28E	SQ28E	DF28

Associated accessories

Decorative in-fill plates - Wood grain effect (narrow)

(supplied in pairs) - Wood grain effect (wide)

Diffuser coupler (narrow) (1 required per luminaire)

Diffuser coupler (wide) (1 required per luminaire)

Replacement Parts

Lampholder assembly	A7673
Grey diffuser end cap (narrow)	A8023
Grey diffuser end cap (wide)	A8024
Grey batten end cap (narrow)	A8025
Grey batten end cap (wide)	A8026

Catalogue number

WG1
WG2
DC1
DC2

Packing

Diffusers: two per carton.

In-fill plates:

one pair per envelope, packed to order.

Diffuser coupler:

ten per carton (one lamp diffusers)

five per carton (two lamp diffusers)

Replacement end caps: packed to order.

Please order in the form given in the following example, in multiples of the packing quantity:

50 Phillips battens SQ25
 50 Phillips diffusers DF25
 50 Phillips diffuser couplers DC2

Made in Great Britain.

Service Correction Factors

	20W 600mm	40W 1200mm	65W 1500mm	85W 1800mm	125W 2400mm
Rating Factor	1.00	1.00	1.00	1.00	0.96
Amalgam Factor			1.17		
Ballast Lumen Factor SS	0.98	1.00	0.99		0.98
Ballast Lumen Factor XS			0.95	0.96	

Utilization Factors UF (F)

Room Reflectances				Room index								
C	W	F		0.75	1.0	1.25	1.5	2.0	2.5	3.0	4.0	5.0
70	50	10		33	37	41	45	49	52	54	57	59
			28	32	36	40	45	48	51	54	57	
			25	28	32	36	41	45	47	51	54	
50	50	10		30	34	37	40	44	47	49	52	54
			26	29	33	36	41	44	46	49	51	
			23	26	29	33	37	41	43	47	49	
30	50	10		28	30	33	36	40	42	44	46	48
			24	27	30	33	37	39	41	44	46	
			22	24	27	30	34	37	39	43	45	
0	0	0		18	20	22	25	28	31	33	36	38

Multiply by each Service Correction Factor

CI/SIB	(63.1)
UDC	696.6:628.972

2

STREAMLITE POPULAR

Clear Prismatic Controller

Prismatic controllers with extruded bodies of rectangular section. Linear prisms are formed on the inside surfaces of the sides, and the base has regular, well-defined prismatic impressions of pyramid form to look attractive whether lit or unlit and to control the light. Standard push-fit grey end caps have a textured surface; self-adhesive infill plates are available to give a wood grain effect.

RANGE

Prismatic controllers are available in two widths: for use with a single lamp only, or in a wider version for one or two lamps to fit all Streamlite Popular battens with lengths of 1200mm (4ft), 1500mm (5ft), 1800mm (6ft) and 2400mm (8ft). Couplers can be supplied to make a neat join between controllers mounted end-to-end.

APPLICATIONS

Applications include:

- Small and large offices
- Shops and stores
- Travel concourses
- Banks and Building Societies
- Canteens
- Corridors

Handbook Ref.

1.2.1/3

To reorder this Data Sheet quote 9.79 PL1718/1

Replaces

PL1718

FLUORESCENT LUMINAIRE

FEATURES

■ Clear polystyrene extrusions with internal linear prisms on the sides and external pyramid prisms on the base – light is adequately controlled, and appearance is attractive whether lit or unlit.

■ Push-fit end caps in grey medium-impact polystyrene with textured surface.

■ Optional self-adhesive infill plates give wood grain finish to end caps (see illustrations at foot of page).

■ Optional couplers make a neat join between controllers mounted end-to-end.

■ 125W versions now also in E start.

MATERIALS & FINISH

Channels and cover plates: sheet steel, Durawhite stoved finish.

Channel end caps: grey medium-impact polystyrene mouldings.

Sprung bi-pin lampholders: white urea mouldings fitted to plated spring steel supports.

Controller assembly: Clear polystyrene prismatic extrusion with push-fit grey polystyrene end caps and two support straps.

Decorative infill plates: Self-adhesive composition.

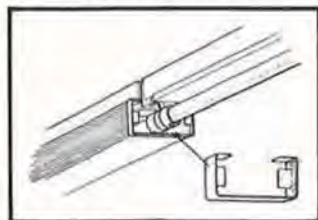
Controller coupler: Sheet steel, Durawhite stoved finish.

RANGE OF OPERATION

240V 50Hz.

Minus 5°C to 25°C (single lamp 30°C).

Not suitable for wall-mounting.



Controller Coupler

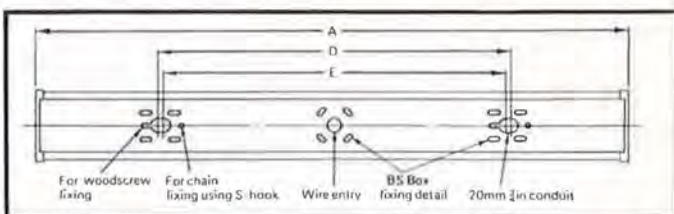
DIMENSIONS & WEIGHTS

Pack (ballen and White 35 lamp)	Catalogue numbers		Weight complete with lamps (kg/lb)	Overall length A (mm/in.)	Ballen Fixing centres E/D (mm/in.)
	Ballen only	Controller assembly only			
P4	S4	PC4	3-5/7-7	1242/49	600/24
P4	S4	PC24	3-9/8-6	1242/49	600/24
P24	S24	PC24	5-3/11-7	1242/49	600/24
P5	S5	PC5	5-0/11-0	1542/61	600/24
—	SQ5	PC5	5-2/11-4	1542/61	600/24
P5	S5	PC25	5-4/11-9	1542/61	600/24
—	SQ5	PC25	5-6/12-3	1542/61	600/24
P25	S25	PC25	7-8/17-2	1542/61	600/24
—	SQ25	PC25	8-0/17-6	1542/61	600/24
PQ6	SQ6	PC6	5-6/12-3	1808/71-2	600/24
PQ6E	SQ6E	PC26	6-0/13-2	1808/71-2	600/24
PQ26	SQ26	PC26	8-5/18-7	1808/71-2	600/24
P8	S8	PC8	6-7/14-7	2417/95-2	1200/48
P8	S8	PC28	7-3/16-1	2417/95-2	1200/48
P28	S28	PC28	10-3/22-7	2417/95-2	1200/48
PQ8E	SQ8E	PC8	6-7/14-7	2417/95-2	1200/48
PQ8E	SQ8E	PC28	7-3/16-1	2417/95-2	1200/48
PQ28E	SQ28E	PC28	10-3/22-7	2417/95-2	1200/48

Overall width B: One-lamp 97mm (3-8in.)

One- or two-lamp 160mm (6-3in.)

Overall depth C: (both types) 115mm (4-5/8in.)



Close-up of Catalogue Number PC25 prismatic controller.



Close-up of Catalogue Number PC5 prismatic controller with infill type WG1 fitted to end cap to give wood grain effect.

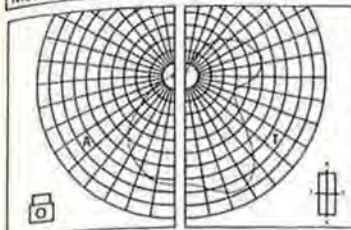


PHOTOMETRIC DATA

STREAMLITE CONTROLLER 1 LAMP

WITH NARROW CONTROLLER

Mounting: SUSPENDED



CIE Flux Number 233745

SHR MAX	(Square)	1.84
SHR MAX TR	(Transverse)	2.15

ULORL	.29	Multiply by each Service Correction Factor
DLORL	.52	
LORL	.81	

Glare Data (IES)

Flux Fraction Ratio .56
ACG Classification ACG5
For RI = 2.5 at SHR = NOM BZ5

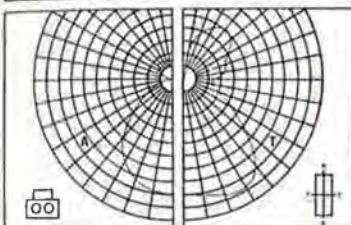
Luminous Area (sq cm)			
40W	65W	85W	125W
1205	1496	1754	2344

Measured: BS 5225 Part 1 1975
Calculated: I.E.S. TR 2 and TR 10
Test No: A616 Dated: 76.08.31

STREAMLITE CONTROLLER 2 LAMP

WITH CONTROLLER

Mounting: SUSPENDED



CIE Flux Number 243946

SHR MAX	(Square)	1.84
SHR MAX TR	(Transverse)	2.14

ULORL	.30	Multiply by each Service Correction Factor
DLORL	.49	
LORL	.79	

Glare Data (IES)

Flux Fraction Ratio .61
ACG Classification ACG5
For RI = 1.5 at SHR = NOM BZ4

Luminous Area (sq cm)			
40W	65W	85W	125W
1987	2467	2893	3867

Measured: BS 5225 Part 1 1975
Calculated: I.E.S. TR 2 and TR 10
Test No: A621 Dated: 76.09.03

Service Correction Factors

		40W 1200 mm	65W 1500 mm	85W 1800 mm	125W 2400 mm
Rating Factor		1.00	1.00	1.00	0.96
Amalgam Factor			1.19		
Ballast Lumen Factor SS		1.00	0.99		0.98
Ballast Lumen Factor XS			0.95	0.96	

Utilization Factors UF (F)

Room Reflectances			Room Index								
C	W	F	0.75	1.0	1.25	1.5	2.0	2.5	3.0	4.0	5.0
70	50	10	41	46	50	53	58	61	63	66	67
	30		37	40	45	48	53	57	59	63	65
	10		33	37	41	45	50	53	56	60	62
50	50	10	38	41	45	48	52	54	56	59	60
	30		34	37	41	44	48	51	53	56	58
	10		31	34	38	41	45	49	51	54	56
30	50	10	34	37	40	43	46	48	50	52	54
	30		31	34	37	40	43	46	48	50	52
	10		29	31	34	37	41	44	46	49	51
0	0	0	25	26	29	31	34	36	38	40	42

Multiply by each Service Correction Factor

Service Correction Factors

		40W 1200mm	65W 1500mm	85W 1800mm	125W 2400mm
Rating Factor		1.04	1.00	1.00	0.96
Amalgam Factor			1.16		
Ballast Lumen Factor SS		1.00	0.99		0.98
Ballast Lumen Factor XS			0.95	0.96	

Utilization Factors UF (F)

Room Reflectances			Room Index								
C	W	F	0.75	1.0	1.25	1.5	2.0	2.5	3.0	4.0	5.0
70	50	10	42	46	50	53	58	61	62	65	67
	30		37	41	46	49	54	57	60	63	65
	10		34	38	42	46	51	54	57	60	63
50	50	10	38	42	45	48	52	54	56	58	60
	30		35	38	42	45	49	52	54	56	58
	10		32	35	39	42	46	49	52	55	56
30	50	10	35	37	40	43	46	48	50	52	53
	30		32	34	38	40	44	46	48	50	52
	10		30	32	35	38	42	45	46	49	50
0	0	0	26	27	30	32	35	37	38	40	41

Multiply by each Service Correction Factor

ORDERING DATA

Rating	Circuit	Catalogue numbers		
		Batten with White 35 lamp	Batten only	Controller assembly only†
1 x 40W 1200mm (4ft)	Switch	P4	S4	PC4
1 x 40W 1200mm (4ft)	Switch	P4	S4	PC24
2 x 40W 1200mm (4ft)	Switch	P24	S24	PC24
1 x 65W 1500mm (5ft)	Switch	P5	S5	PC5
1 x 65W 1500mm (5ft)	Starterless	—	SQ5	PC5
1 x 65W 1500mm (5ft)	Switch	P5	S5	PC25
1 x 65W 1500mm (5ft)	Starterless	—	SQ5	PC25
2 x 65W 1500mm (5ft)	Switch	P25	S25	PC25
2 x 65W 1500mm (5ft)	Starterless	—	SQ25	PC25
1 x 85W 1800mm (6ft)	Starterless	PQ6	SQ6	PC6
1 x 85W 1800mm (6ft)	Starterless	PQ6	SQ6	PC26
2 x 85W 1800mm (6ft)	Starterless	PQ26	SQ26	PC26
1 x 125W 2400mm (8ft)	Switch	P8	S8	PC8
1 x 125W 2400mm (8ft)	Switch	P8	S8	PC28
2 x 125W 2400mm (8ft)	Switch	P28	S28	PC28
1 x 125W 2400mm (8ft)	Electronic "E Start"	PQ8E	SQ8E	PC8
1 x 125W 2400mm (8ft)	Electronic "E Start"	PQ8E	SQ8E	PC28
2 x 125W 2400mm (8ft)	Electronic "E Start"	PQ28E	SQ28E	PC28

†Assembly comprises controller end caps and support straps.

Please order in the form given in the following example, in multiples of the packing quantity:

- 50 Philips battens SQ25
- 50 Philips controllers PC25
- 50 Philips controller couplers DC2

Associated accessories

	Catalogue number
Decorative infill plates – Wood grain effect (narrow)	WG1
(supplied in pairs) – Wood grain effect (wide)	WG2
Controller coupler (narrow) (1 required per luminaire)	DC1
Controller coupler (wide) (1 required per luminaire)	DC2

Replacement parts

Lampholder	A7673
Grey controller end cap (narrow)	A8023
Grey controller end cap (wide)	A8024
Grey batten end cap (narrow)	A8025
Grey batten end cap (wide)	A8026

Packing quantities

- Controller Assemblies: two per carton.
- Infill plates: one pair per carton.
- Controller coupler: ten per carton.
- Replacement parts: one per carton.



Made in Great Britain.

CI/SIB	(63.1)
UDC	696.6:628.972

2

STREAMLITE 3-in-1 KOMBIPAK

Batten complete with opal
diffuser and White 35 lamp



Surface-mounted luminaire consisting of batten, White 35 lamp and opal diffuser with linear external reeding and push-fit grey end caps with textured surface. Supplied as a KombiPak complete with fixing accessories.

RANGE

KP4 – 40W 1200mm (4ft) rating, switchstart circuit

KP5 – 65W 1500mm (5ft) rating, switchstart circuit

KP6 – 85W 1800mm (6ft) rating, starterless circuit.

Each pack contains batten, diffuser, end caps, diffuser supports and 2 x 1½ in. No. 8 woodscrews.

APPLICATIONS

In new installations or as replacements for tungsten filament or old fluorescent installations, e.g. in:

- Small and large offices
- Shops and stores
- Travel concourses
- Canteens
- Corridors
- Domestic (e.g. kitchen)

FLUORESCENT LUMINAIRE

Handbook Ref.

1.2.1/4

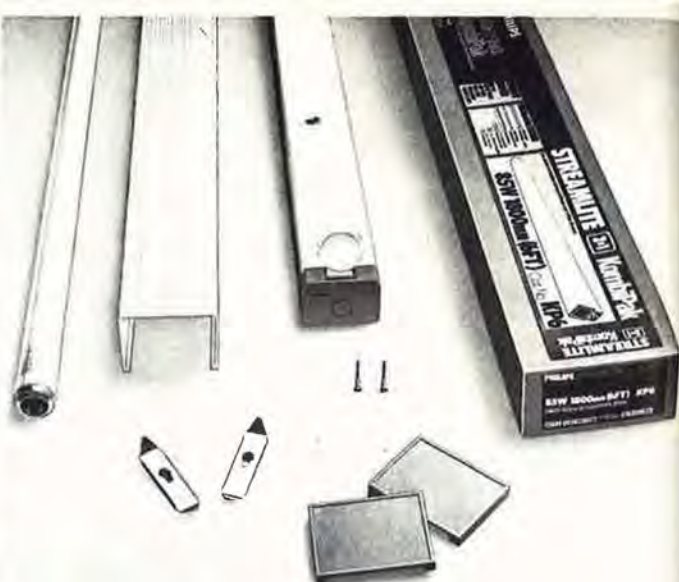
To reorder this Data Sheet quote 7.79 PL No. 1587

Replaces

NEW

FEATURES

- Energy-saving replacement for old-fashioned installations – the 1200mm (4ft) version consumes 51 Watts, yet the lamp gives more light than two 100 Watt filament lamps.
- Convenient KombiPak contains lamp, diffuser and parts needed for installation.
- Opal polystyrene diffuser with linear external reeding maintains an attractive appearance whether lit or unlit.
- Easily mounted onto a standard BS box, which it covers completely.
- Batten end caps have 20mm ($\frac{3}{4}$ in) knockouts for end conduit termination, and peg-and-socket locations to align luminaires mounted end-to-end.
- Low-loss ballast is firmly attached with nuts and studs for efficient heat transfer. Terminals provide positive connections, with no screws to come loose.
- External metal parts are Durawhite finished for long service and retention of reflective properties.
- Spring-loaded injection-moulded lampholders are fixed in seconds, and one person can relamp a luminaire from one end.
- Miniature two-contact starter switches have tough insulated canisters and are neatly located in the side of the channel.



MATERIALS & FINISH

Batten channels and cover plates: Sheet steel, Durawhite finish.

Channel end caps: Grey medium-impact polystyrene mouldings.

Sprung bi-pin lampholders: White urea mouldings fitted to plated spring steel supports.

Diffuser: Opal polystyrene extrusion with push-fit grey polystyrene end caps and two support straps.

SPECIFICATION

■ Type compliance with BS 4533 2.2 Ordinary Indoor Class I. Complies with S.I. 1978 No. 1268 Regulation 6.

To specify state:

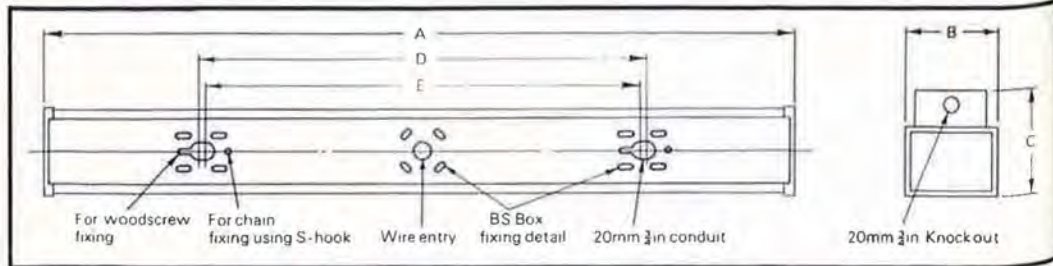
■ Batten fluorescent lamp luminaire, supplied as a KombiPak complete with opal diffuser, lamp and fixing accessories; batten to cover a standard BS box. Similar to Philips Streamlite KombiPak.

RANGE OF OPERATION

240V 50Hz supplies.

Normal indoor conditions, up to 30°C.

DIMENSIONS



DIMENSIONS, WEIGHTS & ELECTRICAL DATA

Catalogue No.	Weight complete with lamps (kg/lb)	Overall length A (mm/in)	Batten fixing centres (E/D) (mm/in)	Circuit Watts (running)	Electrical characteristics	
					Circuit Current (Amperes)	Minimum Power Factor
KP4	3.6/7.9	1242/49	600/24	51	0.23	0.85
KP5	4.9/10.8	1542/61	600/24	77	0.34	0.85
KP6	5.4/11.9	1808/71.2	600/24	96	0.46	0.90

All types:-

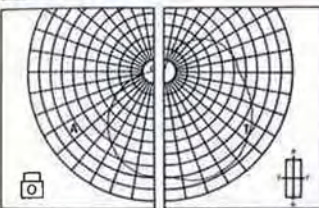
Overall width (B): 97mm (3.8in)

Overall depth (C): 115mm (4.5in)



PHOTOMETRIC DATA
STREAMLITE DIFFUSER 1 LAMP

WITH	NARROW	DIFFUSER
Mounting: SUSPENDED		



CIE Flux Number 163041

SHR MAX	(Square)	1.99
SHR MAX TR	(Transverse)	2.57

LULRL	.22	Multiply by each Service Correction Factor
DLORL	.50	
LORL	.72	

Glare Data (IES)		
Flux Fraction Ratio	.44	
ACG Classification	ACG1	
For RI = 2.5 at SHR = NOM	B26	
Luminous Area (sq cm)		
40W	65W	85W
1205	1496	1754

Measured:	BS 5225 Part 1 1975
Calculated:	I.E.S. TR 2 and TR 10
Test No:	A682
Dated:	76.12.09

Service Correction Factors

	40W 1200mm	65W 1500mm	85W 1800mm
Rating Factor	1.00	1.00	1.00
Amalgam Factor		1.17	
Ballast Lumen Factor SS	1.00	0.99	
Ballast Lumen Factor XS			0.96

Utilization Factors UF (F)

Room Reflectances			Room Index								
C	W	F	0.75	1.0	1.25	1.5	2.0	2.5	3.0	4.0	5.0
70	50	10	33	37	41	45	49	52	54	57	59
	30		28	32	36	40	45	48	51	54	57
	10		25	28	32	36	41	45	47	51	54
50	50	10	30	34	37	40	44	47	49	52	54
	30		26	29	33	36	41	44	46	49	51
	10		23	26	29	33	37	41	43	47	49
30	50	10	28	30	33	36	40	42	44	46	48
	30		24	27	30	33	37	39	41	44	46
	10		22	24	27	30	34	37	39	43	45
0	0	0	18	20	22	26	28	31	33	36	38

Multiply by each Service Correction Factor

ORDERING DATA

Catalogue No.	Description
KP4	KombiPak complete with 40W 1200mm (4ft) batten, White 35 lamp, diffuser and fixing accessories – switchstart circuit.
KP5	KombiPak complete with 65W 1500mm (5ft) batten, White 35 lamp, diffuser and fixing accessories – switchstart circuit.
KP6	KombiPak complete with 85W 1800mm (6ft) batten, White 35 lamp, diffuser and fixing accessories – starterless circuit.

Luminaires are supplied complete with lamp and diffuser in one carton.

Please order in the form given in the following example, in multiples of the packing quantity:-

10 Philips KombiPaks KP4

Made in UK

FEATURE



High-quality Luminaires for Fluorescent Lamps

Feature high quality fused luminaires may be used as Battens, with Trough or Angle Reflectors for industrial use, or with Diffusers or Prismatic Controllers for commercial applications. The Battens are attractively finished in Durawhite stoved finish with white chamfered end caps.

RANGE

One- and two-lamp batten luminaires in:

1200mm (4ft), 1500mm (5ft),
1800mm (6ft) and 2400mm (8ft) sizes.
2400mm (8ft) ratings available in
electronic "E start"

All battens are supplied fitted with
low-loss control gear.

Full details of the attachment can be
found in Data Sheets:

PL 1720 Trough Reflectors
PL 1721 Angled Reflectors
PL 1722 Opal Diffuser
PL 1723 Prismatic Controller

APPLICATIONS

For use in any normal indoor
situation such as:-

- Small or large offices
- Shops and departmental stores
- Corridors
- Stock and store rooms
- Canteens
- Workshops

FLUORESCENT LUMINAIRE

Handbook Ref

1.2.2/1

To reorder this Data Sheet quote

9.79 PL1719/2

Replaces

PL1719/1

FEATURES

- Easily mounted onto a standard BS box, which it covers completely.
- The channel and cover plates are finished in Durawhite stoved finish for long service life and retention of reflective properties.
- Attractively chamfered end caps feature 20mm (3/4 in.) knockouts for end conduit terminations.
- Spring-mounted, injection-moulded lampholders are fixed in seconds, and one person can re-lamp a luminaire from one end. Lampholders of two-lamp luminaires are individually mounted, so that one lamp can be removed without disturbing the other, and are keyed to prevent accidental cross-over.
- Low-loss starterless control gear conserves energy.
- Each batten is provided with a 3-way terminal block of 2 x 2.5mm² section cable capacity, and a side-mounted fuse. Internal wiring is held by cleats, and additional cleats are provided down one side for contractors' wiring.
- 125W versions of Feature in "E start".

MATERIALS & FINISH

Channels and cover plates: Sheet steel, Durawhite stoved finish.

Channel end caps: White medium-impact polystyrene.

Sprung bi-pin lampholders: White urea mouldings fitted to plated spring steel supports.

SPECIFICATION

- Type compliance with BS 4533 2.2 Class I Ordinary Indoor.

To specify state:

Batten fluorescent lamp luminaires complying with BS 4533 2.2, with Durawhite stoved finish, fuse and starterless control gear, covering a BS box, similar to Philips Feature luminaires.

RANGE OF OPERATION

240V 50Hz.
Normal indoor conditions.

CIRCUIT COMPONENTS

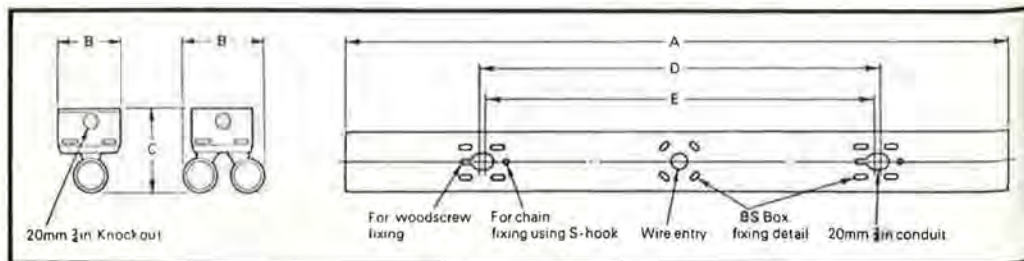
Catalogue numbers		Capacitor part numbers	Capacitor (dry film type)
Batten	Ballast		
FSQ4	BBX40	H1655	5.5mfd ±5% (250V)
FSQ24	2 x BBX40		2 x 5.5mfd ±5% (250V)
FSQ5	BBX65	H1684	8.4mfd ±5% (250V)
FSQ25	2 x BBX65		2 x 8.4mfd ±5% (250V)
FSQ6	BBXK85		8.4mfd ±5% (250V)
FSQ26	2 x BBXK85		2 x 8.4mfd ±5% (250V)
FSQ85	BBX85	H1650/1	5.0mfd ±5% (440V)
FSQ285	2 x BBX85		2 x 5.0mfd ±5% (440V)
FSQ8E	1 x BBE125*	H1672	7.2mfd ±5% (440V)
FSQ28E	2 x BBE125*	H1672	2 x 7.2mfd ±5% (440V)

*With ES06 electronic starters see data sheet PL 1785/1

Harmonic content

Third harmonic content will not normally exceed 45% for 40W-85W 1800mm and 2400mm 125W ratings, or 30% for 2400mm 85W ratings, measured in the neutral of a balanced 3-phase 4-wire supply. Divide by three for equivalent single-phase values.

All information quoted relates to average luminaires on a 240V 50Hz supply at 25°C.



DIMENSIONS, WEIGHTS & ELECTRICAL DATA

Catalogue number	Rating	Overall length A (mm./in.)	Fixing centres (mm./in.)	Weight with lamp(s) (kg./lb)	Circuit Watts (running)	Electrical characteristics	Minimum power factor
						Circuit current (Amperes)	
Starterless types							
FSQ4	1 lamp 40W 1200mm (4ft)	1234/48.6	600/24	3.4/7.5	55	0.25	0.9
FSQ24	2 lamp 40W 1200mm (4ft)	1234/48.6	600/24	5.8/12.7	110	0.5	0.9
FSQ5	1 lamp 65W 1500mm (5ft)	1534/60.5	600/24	4.4/9.6	82	0.4	0.9
FSQ25	2 lamp 65W 1500mm (5ft)	1534/60.5	600/24	6.8/15.0	164	0.8	0.9
FSQ6	1 lamp 85W 1800mm (6ft)	1800/71	600/24	4.6/10.0	100	0.5	0.9
FSQ26	2 lamp 85W 1800mm (6ft)	1800/71	600/24	7.1/15.6	200	1.0	0.9
FSQ85	1 lamp 85W 2400mm (8ft)	2409/95	1200/48	6.5/14.3	105	0.5	0.9
FSQ285	2 lamp 85W 2400mm (8ft)	2409/95	1200/48	10.2/22.3	210	1.0	0.9
Electronic start types							
FSQ8E	1 lamp 125W 2400mm (8ft)	2409/95	1200/48	5.4/11.9	137	0.94	0.66 LDG
FSQ28E	2 lamp 125W 2400mm (8ft)	2409/95	1200/48	8.4/18.5	276	1.98	0.66 LDG

Overall width: One lamp 76mm (3in.)

Two lamp 98mm (3.8in.)

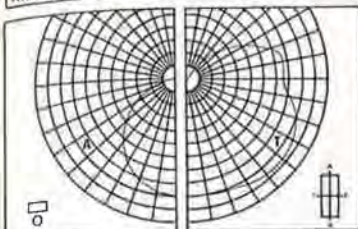
Overall depth (all luminaires): 100mm (4in.)

PHOTOMETRIC DATA

FEATURE 1 LAMP

BATTEN WITHOUT ATTACHMENT

Mounting: SUSPENDED



CIE Flux Number 213955

SHR MAX (Square) 2.00
SHR MAX TR (Transverse) 2.67

ULORL .24
DLORL .67
LORL .91
Multiply by each Service Correction Factor

Glare Data (IES)

Flux Fraction Ratio .36
ACG Classification ACG2
For RI = 2.5 at SHR = NOM B26

Luminous Area (sq cm)

40W	65W	85W	85W	125W
900	1100	1300	1750	1750

Measured: BS 5225 Part 1 1975

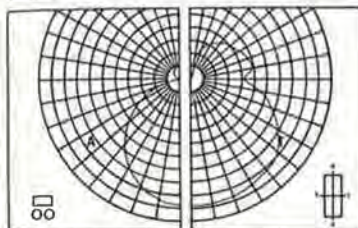
Calculated: I.E.S. TR 2 and TR 10

Test No: A612 Dated: 76.08.26

FEATURE 2 LAMP

BATTEN WITHOUT ATTACHMENT

Mounting: SUSPENDED



CIE Flux Number 234256

SHR MAX (Square) 1.86
SHR MAX TR (Transverse) 2.35

ULORL .28
DLORL .65
LORL .93
Multiply by each Service Correction Factor

Glare Data (IES)

Flux Fraction Ratio .43
ACG Classification ACG2
For RI = 2.5 at SHR = NOM B26

Luminous Area (sq cm)

40W	65W	85W	85W	125W
1150	1450	1750	2300	2300

Measured: BS 5225 Part 1 1975

Calculated: I.E.S. TR 2 and TR 10

Test No: A617 Dated: 76.09.01

Service Correction Factors

	40W 1200mm	65W 1500mm	85W 1800mm	85W 2400mm	125W 2400mm
Rating Factor	1.00	1.00	1.00	1.00	1.00
Amalgam Factor		1.00			
Ballast Lumen Factor SS					
Ballast Lumen Factor XS	1.02	0.95	0.96	0.99	1.00

Utilization Factors UF (F)

Room Reflectances			Room Index								
C	W	F	0.75	1.0	1.25	1.5	2.0	2.5	3.0	4.0	5.0
70	50	10	42	47	52	56	62	66	69	73	75
	30		35	40	45	49	56	60	64	68	72
	10		31	35	40	44	51	56	59	65	68
50	50	10	38	42	47	51	56	60	63	66	69
	30		33	37	41	45	51	55	58	63	66
	10		29	32	37	41	47	52	55	60	63
30	50	10	35	39	43	46	51	54	57	60	62
	30		31	34	38	42	47	51	53	57	60
	10		27	30	34	38	43	47	50	55	58
0	0	0	23	25	29	32	37	40	43	47	49

Multiply by each Service Correction Factor

Service Correction Factors

	40W 1200mm	65W 1500mm	85W 1800mm	85W 2400mm	125W 2400mm
Rating Factor	1.00	1.00	1.00	1.00	1.00
Amalgam Factor		1.00			
Ballast Lumen Factor SS					
Ballast Lumen Factor XS	1.02	0.95	0.96	0.99	1.00

Utilization Factors UF (F)

Room Reflectances			Room Index								
C	W	F	0.75	1.0	1.25	1.5	2.0	2.5	3.0	4.0	5.0
70	50	10	45	50	55	59	65	69	72	76	78
	30		39	43	49	53	60	64	67	72	75
	10		34	38	44	48	55	60	63	68	72
50	50	10	41	45	50	54	59	62	65	68	71
	30		36	40	45	49	54	58	61	65	68
	10		32	36	40	45	51	55	58	63	66
30	50	10	38	41	45	48	53	56	59	62	64
	30		33	36	41	44	49	53	56	59	62
	10		30	33	37	41	46	50	53	57	60
0	0	0	26	28	31	35	39	42	45	48	51

Multiply by each Service Correction Factor

Photoset direct from Photometer tape output.

ORDERING DATA

Catalogue Number	Rating	Circuit
FSQ4	1 × 40W 1200mm (4ft)	Starterless
FSQ24	2 × 40W 1200mm (4ft)	Starterless
FSQ5	1 × 65W 1500mm (5ft)	Starterless
FSQ25	2 × 65W 1500mm (5ft)	Starterless
FSQ6	1 × 85W 1800mm (6ft)	Starterless
FSQ26	2 × 85W 1800mm (6ft)	Starterless
FSQ85	1 × 85W 2400mm (8ft)	Starterless
FSQ285	2 × 85W 2400mm (8ft)	Starterless
FSQ8E	1 × 125W 2400mm (8ft)	Electronic "E Start"
FSQ28E	2 × 125W 2400mm (8ft)	Electronic "E Start"

All battens are supplied packed individually.

Lamps should be ordered separately.

Please order as in the form given in the following example:

50 Philips FSQ25 fluorescent luminaires

Made in Great Britain

FEATURE Opal Diffusers

Diffusers mainly for commercial applications, with rectangular-section bodies with linear external reeding. Push-fit grey end caps have a textured surface; alternatively self-adhesive infill plates are available to give a wood grain effect. Diffusers are available in two widths: for use with a single lamp only, or in a wider version for one or two lamps.

RANGE

Diffusers are available in both narrow (1-lamp) or wide (1- or 2-lamp) versions to fit all lengths of Feature battens. Diffuser couplers are available to provide a neat joint between diffusers mounted end-to-end.

APPLICATIONS

For use in normal indoor applications such as:

- Small and large offices
- Shops and stores
- Travel concourses
- Banks and Building Societies
- Canteens
- Corridors

Wide version diffuser.

Handbook Ref.

1.2.2/2

To reorder this data sheet quote

9.79 PL 1722/1

Replaces

PL 1722

FEATURES

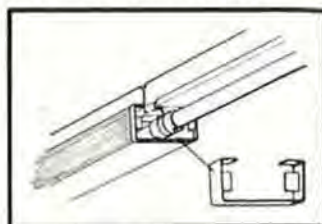
- Opal polystyrene extrusions with external linear reeding maintain an attractive appearance whether lit or unit.
- Push-fit end caps in grey medium-impact polystyrene have an inset textured surface.
- Optional self-adhesive infill plates give a wood grain effect to end caps.
- Optional diffuser couplers make a neat join between diffusers mounted end-to-end.
- 125W versions of Feature in E start.

MATERIALS & FINISH

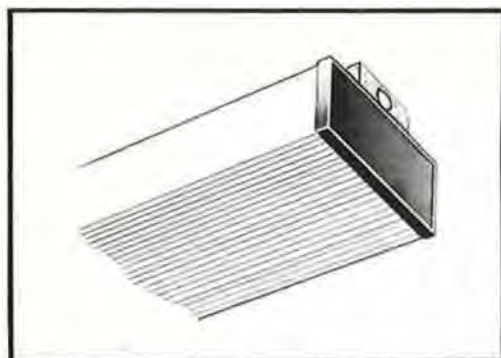
- Channels and cover plates:** Sheet steel, Durawhite stoved finish.
- Channel end caps:** White medium-impact polystyrene mouldings.
- Sprung bi-pin lampholders:** White urea mouldings fitted to plated spring steel supports.
- Diffuser:** Opal polystyrene extrusion with push-fit grey medium-impact polystyrene end caps and two support straps.
- Decorative Infill plates:** Self-adhesive composition.
- Diffuser coupler:** Sheet steel, Durawhite stoved finish.

RANGE OF OPERATION

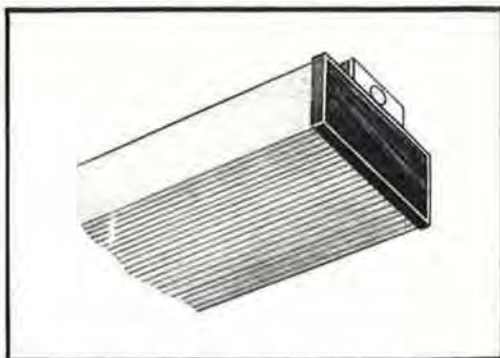
240V 50Hz.
5°C to 25°C (single lamp 30°C).
Not suitable for wall-mounting.



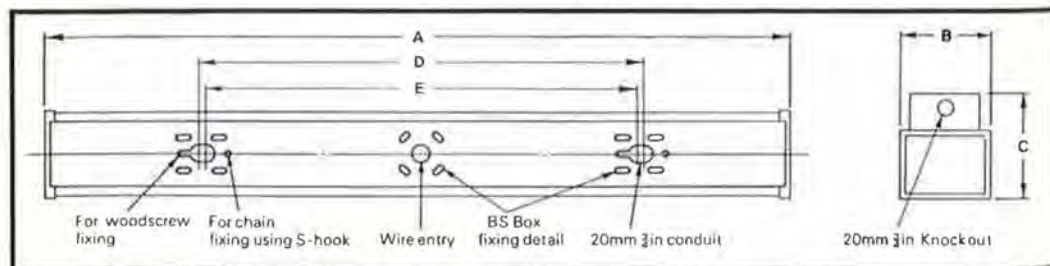
Diffuser coupler



Close-up of Catalogue Number DF25 opal diffuser.



Close-up of Catalogue Number DF25 opal diffuser with decorative infill type WG2 fitted to end cap to give a wood grain effect.



DIMENSIONS & WEIGHTS

Batten only	Catalogue Nos. Diffuser attachment only	Weight complete with lamps (kg/lb)	Overall length (mm/in.) (A)	Fixing centres (mm/in.) (E/D)
FSQ4	DF4	4-0/8-9	1242/49	600/24
FSQ4	DF24	4-3/9-5	1242/49	600/24
FSQ24	DF24	6-7/14-7	1242/49	600/24
FSQ5	DF5	5-1/11-4	1542/61	600/24
FSQ5	DF25	5-5/12-1	1542/61	600/24
FSQ25	DF25	7-9/17-5	1542/61	600/24
FSQ6	DF6	5-4/12-2	1808/71-2	600/24
FSQ6	DF26	5-8/12-8	1808/71-2	600/24
FSQ26	DF26	8-3/18-4	1808/71-2	600/24
FSQ85	DF8	7-0/17-2	2417/95-2	1200/48
FSQ85	DF28	8-1/17-8	2417/95-2	1200/48
FSQ285	DF28	11-8/25-8	2417/95-2	1200/48
FSQ8E	DF8	6-5/14-3	2417/95-2	1200/48
FSQ8E	DF28	7-0/15-4	2417/95-2	1200/48
FSQ28E	DF28	10-0/22-0	2417/95-2	1200/48

Overall width (B): 1 lamp 97mm (3-8in.)

1 or 2 lamp 160mm (6-3in.)

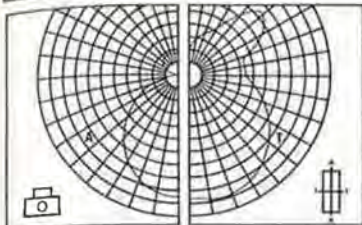
Overall depth (C) (both types): 115mm (4-5in.)

PHOTOMETRIC DATA

FEATURE 1 LAMP

WITH WIDE DIFFUSER

Mounting: SUSPENDED



CIE Flux Number

173141

SHR MAX	(Square)	1.84
SHR MAX TR	(Transverse)	2.24

ULORL	.29	Multiply by each Service Correction Factor
DLORL	.47	
LORL	.76	

Glare Data (IES)

Flux Fraction Ratio	.62
ACG Classification	ACG2
For Ri = 2.5 at SHR = NOM	BZ6

Luminous Area (sq cm)

40W	65W	85W	85W	125W
1987	2467	2893	3867	3867

Measured: BS 5225 Part 1 1975

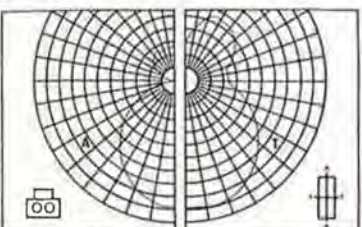
Calculated: I.E.S. TR 2 and TR 10

Test No: A871 Dated: 77.12.09

FEATURE 2 LAMP

WITH WIDE DIFFUSER

Mounting: SUSPENDED



CIE Flux Number

172934

SHR MAX	(Square)	1.77
SHR MAX TR	(Transverse)	2.10

ULORL	.25	Multiply by each Service Correction Factor
DLORL	.42	
LORL	.67	

Glare Data (IES)

Flux Fraction Ratio	.60
ACG Classification	ACG2
For Ri = 2.5 at SHR = NOM	BZ5

Luminous Area (sq cm)

40W	65W	85W	85W	125W
1987	2467	2893	3867	3867

Measured: BS 5225 Part 1 1975

Calculated: I.E.S. TR 2 and TR 10

Test No: A873 Dated: 77.12.14

Service Correction Factors

	40W 1200mm	65W 1500mm	85W 1800mm	85W 2400mm	125W 2400mm
Rating Factor	1.00	1.00	1.00	0.96	0.96
Amalgam Factor					
Ballast Lumen Factor SS					
Ballast Lumen Factor XS	1.02	0.95	0.96	0.99	1.00

Utilization Factors UF (F)

Room Reflectances			Room Index								
C	W	F	0.75	1.0	1.25	1.5	2.0	2.5	3.0	4.0	5.0
70	50	10	36	40	44	47	52	55	57	60	62
	30		31	35	39	43	48	51	54	57	60
	10		27	31	35	39	44	48	51	55	57
50	50	10	32	35	39	42	46	49	51	53	55
	30		28	31	35	38	43	46	48	51	53
	10		25	28	32	35	40	43	45	49	51
30	50	10	29	31	34	37	40	43	45	47	48
	30		25	28	31	34	38	40	42	45	47
	10		23	25	28	31	35	38	40	43	45
0	0	0	19	20	23	25	28	31	32	35	37

Multiply by each Service Correction Factor

Service Correction Factors

	40W 1200 mm	65W 1500 mm	85W 1800 mm	85W 2400 mm	125W 2400 mm
Rating Factor	1.00	1.00	1.00	0.96	0.96
Amalgam Factor					
Ballast Lumen Factor SS					
Ballast Lumen Factor XS	1.02	0.95	0.96	0.99	1.00

Utilization Factors UF (F)

Room Reflectances			Room Index								
C	W	F	0.75	1.0	1.25	1.5	2.0	2.5	3.0	4.0	5.0
70	50	10	32	36	40	43	47	49	51	54	55
	30		28	32	35	39	43	46	48	51	53
	10		25	28	32	35	40	43	46	49	51
50	50	10	29	32	35	38	41	44	45	48	49
	30		26	29	32	35	39	41	43	46	48
	10		23	26	29	32	36	39	41	44	46
30	50	10	26	29	31	34	37	39	40	42	44
	30		23	26	29	31	34	37	38	41	42
	10		21	23	26	29	32	35	37	39	41
0	0	0	18	19	21	24	26	28	30	32	33

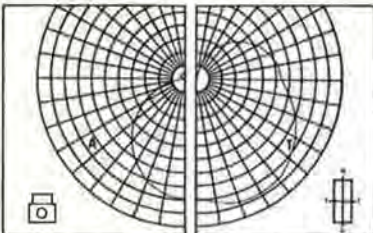
Multiply by each Service Correction Factor

PHOTOMETRIC DATA

FEATURE 1 LAMP

WITH NARROW DIFFUSER

Mounting: SUSPENDED



CIE Flux Number

163041

SHR MAX	(Square)	1.99
SHR MAX TR	(Transverse)	2.57

ULORL	.22	Multiply by each Service Correction Factor
DORL	.50	
LORL	.72	

Glare Data (IES)

Flux Fraction Ratio	.44			
ACG Classification	ACG1			
For R _l = 2.5 at SHR = NOM	B26			
Luminous Area (sq cm)				
40W	65W	85W	85W	125W
1205	1496	1754	2344	2344

Measured:	BS 5225 Part 1 1975
Calculated:	I.E.S., TR 2 and TR 10
Test No:	A682
Dated:	76 12.09

ORDERING DATA

Description	Catalogue Nos.	
	Batten only	Diffuser attachment only
1 x 40W 1200mm (4ft) narrow diffuser	FSQ4	DF4
1 x 40W 1200mm (4ft) wide diffuser	FSQ4	DF24
2 x 40W 1200mm (4ft) wide diffuser	FSQ24	DF24
1 x 65W 1500mm (5ft) narrow diffuser	FSQ5	DF5
1 x 65W 1500mm (5ft) wide diffuser	FSQ5	DF25
2 x 65W 1500mm (5ft) wide diffuser	FSQ25	DF25
1 x 85W 1800mm (6ft) narrow diffuser	FSQ6	DF6
1 x 85W 1800mm (6ft) wide diffuser	FSQ6	DF26
2 x 85W 1800mm (6ft) wide diffuser	FSQ26	DF26
1 x 85W 2400mm (8ft) narrow diffuser	FSQ85	DF8
1 x 85W 2400mm (8ft) wide diffuser	FSQ85	DF28
2 x 85W 2400mm (8ft) wide diffuser	FSQ285	DF28
1 x 125W 2400mm (8ft) narrow diffuser	FSQ8E	DF8
1 x 125W 2400mm (8ft) wide diffuser	FSQ8E	DF28
2 x 125W 2400mm (8ft) wide diffuser	FSQ28E	DF28

Associated accessories:

Decorative infill plates – Wood grain effect (narrow)
(supplied in pairs) – Wood grain effect (wide)
Diffuser coupler (narrow) (one required per luminaire)
Diffuser coupler (wide) (one required per luminaire)

Spare:

Lampholder assembly
Grey diffuser end cap (narrow) (2 required per luminaire)
Grey diffuser end cap (wide) (2 required per luminaire)
White batten end cap and clips (1 lamp) (2 required per luminaire)
White batten end cap and clips (2 lamp) (2 required per luminaire)

Catalogue No.

WG1
WG2
DC1
DC2

A7673
A8023
A8024
FP494
FP495

Service Correction Factors

	40W 1200mm	65W 1500mm	85W 1800mm	85W 2400mm	125W 2400mm
Rating Factor	1.00	1.00	1.00	1.00	1.00
Amalgam Factor					
Ballast Lumen Factor SS					
Ballast Lumen Factor XS	1.02	0.95	0.96	0.99	1.00

Utilization Factors UF (F)

Room Reflectances			Room Index								
C	W	F	0.75	1.0	1.25	1.5	2.0	2.5	3.0	4.0	5.0
70	50	10	33	37	41	45	49	52	54	57	59
	30		28	32	36	40	45	48	51	54	57
	10		25	28	32	36	41	45	47	51	54
50	50	10	30	34	37	40	44	47	49	52	54
	30		26	29	33	36	41	44	46	49	51
	10		23	26	29	33	37	41	43	47	49
30	50	10	28	30	33	36	40	42	44	46	48
	30		24	27	30	33	37	39	41	44	46
	10		22	24	27	30	34	37	39	43	45
0	0	0	18	20	22	25	28	31	33	36	38

Multiply by each Service Correction Factor

Photoset direct from Photometer tape output.

Please order in the form given in the following example, in multiples of the packing quantity:

50 Philips Feature battens FSQ5,
50 Philips diffuser attachment DF25,
50 Diffuser couplers DC2.

All Feature circuits are starterless.
Lamps should be ordered separately.

Packing:

Diffusers: Two per carton.
Infill plates: One pair per envelope,
packed to order.

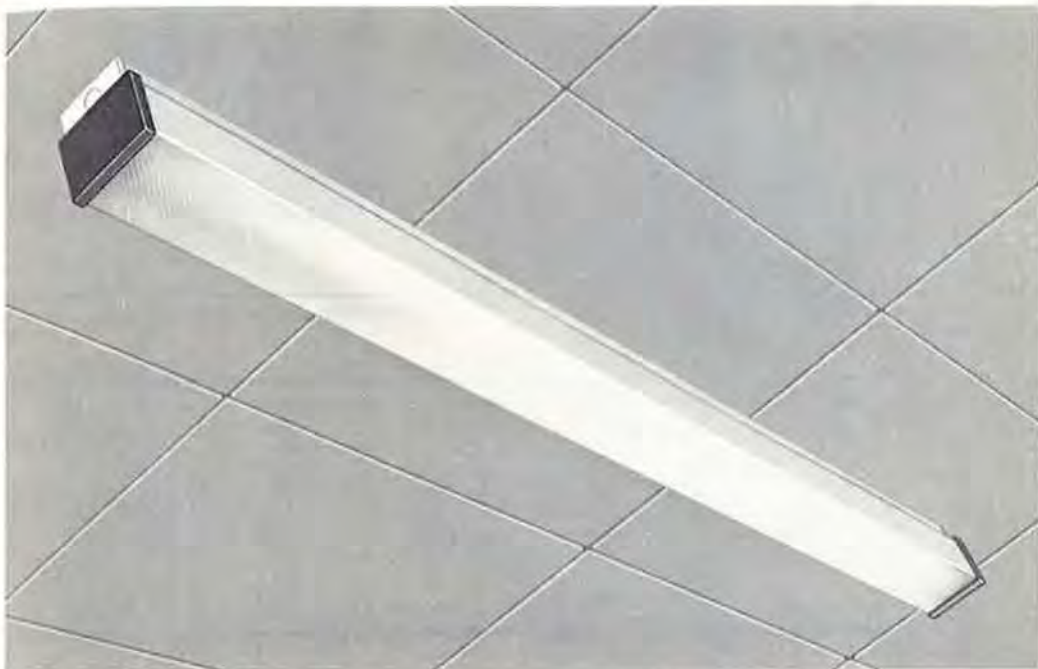
Diffuser couplers:
Ten per carton (narrow)
Five per carton (wide).

Replacement end caps: Packed to order.

Made in Great Britain

FEATURE

Clear Prismatic Controller



Prismatic controller with extruded body of rectangular section. Linear prisms are formed on the inside surfaces of the sides, and the base has regular, well-defined impressions of pyramid form to look attractive whether lit or unlit and to control the light. Push-fit grey end caps have a textured surface; alternatively, self-adhesive infill plates are available to give a wood grain effect. Prismatic controllers are available in two widths: for use with a single lamp, or in a wider version for one or two lamps.

APPLICATIONS

For use in normal indoor applications such as:-

- Small and large offices
- Shops and stores
- Travel concourses
- Banks and Building Societies
- Canteens
- Offices

RANGE

Prismatic controllers are available in both narrow (1-lamp) or wide (2-lamp) versions to fit all lengths of Feature batten.

Controller couplers are available to provide a neat joint between controllers mounted end-to-end.

Handbook Ref.

1.2.2/3

To reorder this Data Sheet quote 11,79 PL1723/1

Replaces

PL 1723

FEATURES

- Clear polystyrene extrusions with internal linear prisms on the sides and external pyramid prisms on the base – light is controlled to limit direct glare in the angles above 60° from the vertical, and appearance is attractive whether lit or unlit.
- Push-fit end caps in grey medium-impact polystyrene have an inset textured surface.
- Optional self-adhesive infill plates give wood grain effect to end caps.
- Optional couplers between controllers mounted end-to-end, make a neat join.
- 125W versions of Feature in E start.

MATERIALS & FINISH

Channels and cover plates: Sheet steel, Durawhite stoved finish.

Channel end caps: White medium-impact polystyrene mouldings.

Sprung bi-pin lampholders: White urea mouldings fitted to plated spring steel supports.

Controller: Clear polystyrene prismatic extrusion with push-fit grey polystyrene end caps and two support straps.

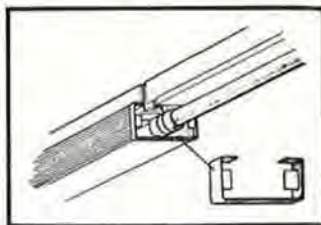
Decorative infill plates: Self-adhesive composition.

Controller coupler: Sheet steel, Durawhite stoved finish.

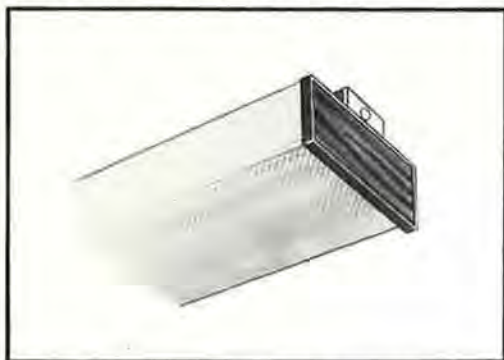
RANGE OF OPERATION

240V 50Hz.

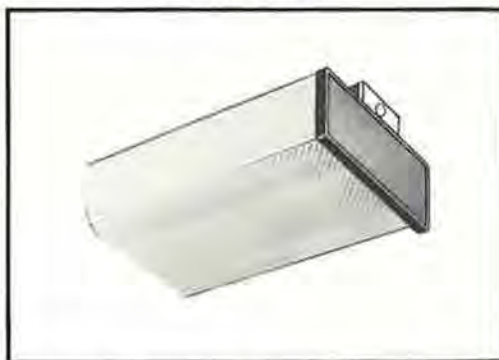
5°C to 25°C (single lamp 30°C).
Not suitable for wall-mounting.



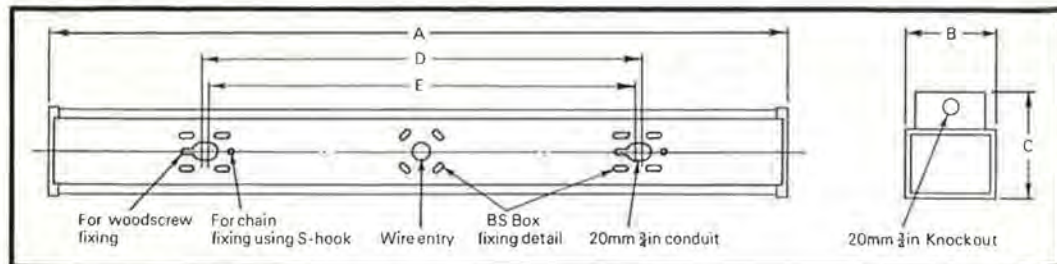
Controller coupler



Close-up of Catalogue Number PC25 prismatic controller with decorative infill type WG1 fitted to end cap to give a wood grain effect.



Close-up of Catalogue Number PC25 prismatic controller.



DIMENSIONS & WEIGHTS

Batten only	Catalogue Nos. Controller attachments only	Weight complete with lamps (kg/lb)	Overall length (mm/in.) (A)	Fixing centres (mm/in.) (E/D)
FSQ4	PC4	4-0/8-9	1242/49	600/24
FSQ4	PC24	4-4/9-7	1242/49	600/24
FSQ24	PC24	6-8/14-9	1242/49	600/24
FSQ5	PC5	5-2/11-4	1542/61	600/24
FSQ5	PC25	5-6/12-3	1542/61	600/24
FSQ25	PC25	8-0/17-7	1542/61	600/24
FSQ6	PC6	5-6/12-2	1808/71-2	600/24
FSQ6	PC26	6-0/13-1	1808/71-2	600/24
FSQ26	PC26	8-5/18-7	1808/71-2	600/24
FSQ85	PC8	7-8/17-2	2417/95-2	1200/48
FSQ85	PC28	8-1/17-8	2417/95-2	1200/48
FSQ285	PC28	11-8/25-8	2417/95-2	1200/48
FSQ8E	PC8	8-6/19-0	2417/95-2	1200/48
FSQ8E	PC28	9-2/20-3	2417/95-2	1200/48
FSQ28E	PC28	13-9/30-8	2417/95-2	1200/48

Overall width (B): One lamp 97mm (3-8in.)

One or two lamp 160mm (6-3in.)

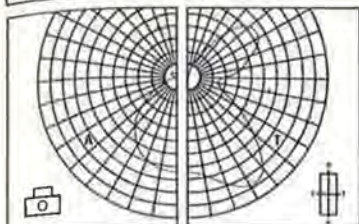
Overall depth (C) (both types): 115mm (4-5in.)

PHOTOMETRIC DATA

FEATURE 1 LAMP

WITH WIDE CONTROLLER

Mounting: SUSPENDED



CIE Flux Number

244149

SHR MAX	(Square)	2.07
SHR MAX TR	(Transverse)	2.42

ULORL	.32	Multiply by each Service Correction Factor
DLORL	.53	
LORL	.85	

Glare Data (IES)

Flux Fraction Ratio	.60
ACG Classification	ACG5
For RI = 2.5 at SHR = NOM	BZ4

Luminous Area (sq cm)

40W	65W	85W	85W	125W
1987	2467	2893	3867	3867

Measured: BS 5225 Part 1 1975

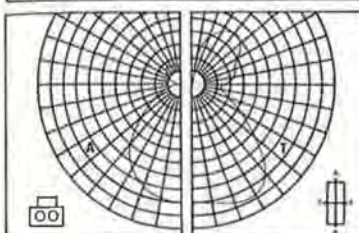
Calculated: I.E.S. TR 2 and TR 10

Test No: A872 Dated: 77.13.10

FEATURE 2 LAMP

WITH WIDE CONTROLLER

Mounting: SUSPENDED



CIE Flux Number

243946

SHR MAX	(Square)	1.84
SHR MAX TR	(Transverse)	2.14

ULORL	.30	Multiply by each Service Correction Factor
DLORL	.49	
LORL	.79	

Glare Data (IES)

Flux Fraction Ratio	.61
ACG Classification	ACG5
For RI = 2.5 at SHR = NOM	BZ4

Luminous Area (sq cm)

40W	65W	85W	85W	125W
1987	2467	2893	3867	3867

Measured: BS 5225 Part 1 1975

Calculated: I.E.S. TR 2 and TR 10

Test No: A621 Dated: 76.09.03

Photoset direct from Photometer tape output.

Service Correction Factors

	40W 1200mm	65W 1500mm	85W 1800mm	85W 2400mm	125W 2400mm
Rating Factor	1.00	1.00	1.00	0.96	0.96
Amalgam Factor					
Ballast Lumen Factor SS					
Ballast Lumen Factor XS	1.02	0.95	0.96	0.99	1.00

Utilization Factors UF (F)

Room Reflectances			Room Index								
C	W	F	0.75	1.0	1.25	1.5	2.0	2.5	3.0	4.0	5.0
70	50	10	47	51	55	58	62	65	67	70	72
	30		42	46	50	53	59	62	64	68	70
	10		39	42	46	50	55	59	61	65	68
50	50	10	43	46	49	52	56	58	60	63	64
	30		39	42	46	48	53	56	58	61	63
	10		36	39	43	46	50	54	56	59	61
30	50	10	39	41	44	46	50	52	54	56	57
	30		36	38	41	44	48	50	52	54	56
	10		34	36	39	42	46	48	50	53	55
0	0	0	30	31	33	35	38	40	42	44	45

Multiply by each Service Correction Factor

Service Correction Factors

	40W 1200mm	65W 1500mm	85W 1800mm	85W 2400mm	125W 2400mm
Rating Factor	1.04	1.00	1.00	0.96	0.96
Amalgam Factor					
Ballast Lumen Factor SS					
Ballast Lumen Factor XS	1.02	0.95	0.96	0.99	1.00

Utilization Factors UF (F)

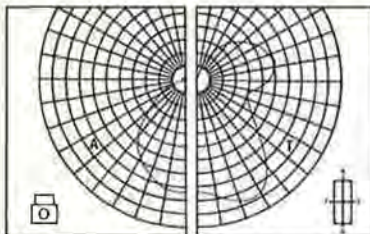
Room Reflectances			Room Index								
C	W	F	0.75	1.0	1.25	1.5	2.0	2.5	3.0	4.0	5.0
70	50	10	42	46	50	53	58	61	62	65	67
	30		37	41	46	49	54	57	60	63	65
	10		34	38	42	46	51	54	57	60	63
50	50	10	38	42	45	48	52	54	56	58	60
	30		35	38	42	45	49	52	54	56	58
	10		32	35	39	42	46	49	52	55	58
30	50	10	35	37	40	43	46	48	50	52	53
	30		32	34	38	40	44	46	48	50	52
	10		30	32	35	38	42	45	46	49	50
0	0	0	26	27	30	32	35	37	38	40	41

Multiply by each Service Correction Factor

PHOTOMETRIC DATA

FEATURE 1 LAMP

WITH	NARROW	CONTROLLER
Mounting: SUSPENDED		



CIE Flux Number 233745

SHR MAX	(Square)	1.84
SHR MAX TR	(Transverse)	2.15

ULORL	29	Multiply by each Service Correction Factor
DORL	52	
LORL	81	

Glare Data (IES)

Flux Fraction Ratio	.56			
ACG Classification	ACG5			
For RI = 2.5 at SHR = NOM	BZ5			
Luminous Area (sq cm)				
40W	65W	85W	85W	125W
1205	1496	1754	2344	2344

Measured:	BS 5225 Part 1 1975
Calculated:	I.E.S. TR 2 and TR 10
Test No:	A616
Dated:	76.08.31

ORDERING DATA

Description	Catalogue Nos.	
	Batten only	Diffuser assembly only
1 x 40W 1200mm (4ft) narrow controller	FSQ4	PC4
1 x 40W 1200mm (4ft) wide controller	FSQ4	PC24
2 x 40W 1200mm (4ft) wide controller	FSQ24	PC24
1 x 65W 1500mm (5ft) narrow controller	FSQ5	PC5
1 x 65W 1500mm (5ft) wide controller	FSQ5	PC25
2 x 65W 1500mm (5ft) wide controller	FSQ25	PC25
1 x 85W 1800mm (6ft) narrow controller	FSQ6	PC6
1 x 85W 1800mm (6ft) wide controller	FSQ6	PC26
1 x 85W 1800mm (6ft) wide controller	FSQ26	PC26
1 x 85W 2400mm (8ft) narrow controller	FSQ85	PC8
1 x 85W 2400mm (8ft) wide controller	FSQ85	PC28
2 x 85W 2400mm (8ft) wide controller	FSQ285	PC28
1 x 125W 2400mm (8ft) narrow controller	FSQ8E	PC8
1 x 125W 2400mm (8ft) wide controller	FSQ8E	PC28
2 x 125W 2400mm (8ft) wide controller	FSQ28E	PC28

Associated accessories-

Decorative infill plates - Wood grain effect (narrow)	WG1
(supplied in pairs) - Wood grain effect (wide)	WG2
Controller coupler (narrow) (1 required per luminaire)	DC1
Controller coupler (wide) (1 required per luminaire)	DC2

Spare:

Lampholder assembly	A7673
Grey controller end cap (narrow) (2 required per luminaire)	A8023
Grey controller end cap (wide) (2 required per luminaire)	A8024
White batten end cap and clips (1 lamp) (2 required per luminaire)	FP494
White batten end cap and clips (2 lamp) (2 required per luminaire)	FP495

Service Correction Factors

	40W 1200mm	65W 1500mm	85W 1800mm	85W 2400mm	125W 2400mm
Rating Factor	1.00	1.00	1.00	0.96	0.96
Amalgam Factor					
Ballast Lumen Factor SS					
Ballast Lumen Factor XS	1.02	0.95	0.96	0.99	1.00

Utilization Factors UF (F)

Room Reflectances			Room Index								
C	W	F	0.75	1.0	1.25	1.5	2.0	2.5	3.0	4.0	5.0
70	50	10	41	46	50	53	58	61	63	66	67
			37	40	45	48	53	57	59	63	65
			33	37	41	45	50	53	56	60	62
50	50	10	38	41	45	48	52	54	56	59	60
			34	37	41	44	48	51	53	56	58
			31	34	38	41	45	49	51	54	56
30	50	10	34	37	40	43	46	48	50	52	54
			31	34	37	40	43	46	48	50	52
			29	31	34	37	41	44	46	49	51
0	0	0	25	26	29	31	34	36	38	40	42

Multiply by each Service Correction Factor

Photoset direct from Photometer tape output

Please order in the form given in the following example, in multiples of the packing quantity:

50 Philips Feature battens FSQ5
50 Philips controller attachments PC25
50 controller couplers DC2.

All Feature circuits are starter/less.
Lamps should be ordered separately.

Packing:

Controllers: Two per carton.
Infill plates: One pair per envelope,
packed to order.

Controller couplers:
Ten per carton (narrow)
Five per carton (wide).

Replacement end caps: Packed to order.

Made in Great Britain

FINESSE

Luminaires with Clear Prismatic Controllers

A range of shallow, surface-mounted luminaires particularly suitable for low, modern ceilings. There is a choice of rectangular or 'bow-tie' end caps, and infills are available for the rectangular end caps to give a simulated wood grain effect. The 2 lamp 65W batten can be supplied with the WideSpread Linsomatic prismatic optic, which permits increased spacing between luminaires.

RANGE

Available in the following types:

- 2 lamp 40W 1200mm (4ft)
- 2 lamp 65W 1500mm (5ft)
- 2 lamp 85W 1800mm (6ft)
- 2 lamp 85W 2400mm (8ft)

The 40W and 65W battens have switchstart circuits; both 85W sizes have semi-resonant circuits. The choice of end caps, rectangular or 'bow-tie', is available on all sizes.

The range is suitable for individual or continuous mounting, and inter-body couplings are optionally available to make a neat join between controllers.

APPLICATIONS

Suitable for most indoor installations such as:-

- Boardrooms
- Offices
- Banking halls
- Shops and department stores.

Although bold in appearance to suit spacious premises such as banks, the luminaires are shallow, making them also suitable for modern premises with low ceilings.

A1715S with 'bow-tie' end caps.

Handbook Ref.

1.2.3/1

To reorder this Data Sheet quote 9.79 PL 1730/1

Replaces

PL 1730

FEATURES

- Shallow depth – only 89mm – provides an alternative to a recessed luminaire.
- Easy to install and maintain, thus saving money.
- Fashionable appearance with choice of trim for personalising a scheme.
- The frame is supported along its full length, and hinges down on one side to simplify lamp changing.
- Suitable for individual or continuous mounting. When luminaires are mounted continuously, individual controllers are easily removed for lamp changing.

In addition, the Widespread Linsomatic prismatic optic permits wider spacing between luminaires, giving economic, aesthetic and lighting benefits. (See Leaflet PL 160B). The Wide Spread Linsomatic controller is made in one piece, with prismatic end plates of similar form to the side panels, for use with individually mounted luminaires.

MATERIALS & FINISH

Batten: Sheet steel body, Durawhite stoved finish, with light grey medium-impact polystyrene end trims. Knockouts in end trims line up with holes in metal end brackets for end conduit ('bow-tie' end caps only).

Control gear: Low-loss ballasts attached with nuts and studs, and fused terminal block with capacity for 2-5mm² cable in each way. Control gear, fixing bolts and wiring are concealed by internal reflector.

Controllers and end caps: Clear polystyrene extrusion controller with internal linear prisms on the sides and external, well-defined pyramid prisms on the base. Light grey medium-impact polystyrene end caps in bow-tie form are supplied as standard and provide clearance for end conduit. Optional rectangular end caps can be styled with optional infills in simulated wood grain.

Sprung bi-pin lampholders: White urea mouldings fitted to plated spring steel supports.

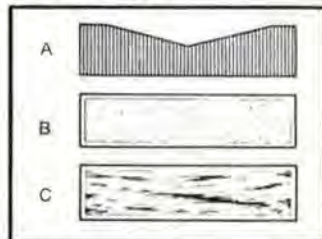
SPECIFICATION

- Type compliance with BS 4533 2.2 Ordinary Indoor Class I.

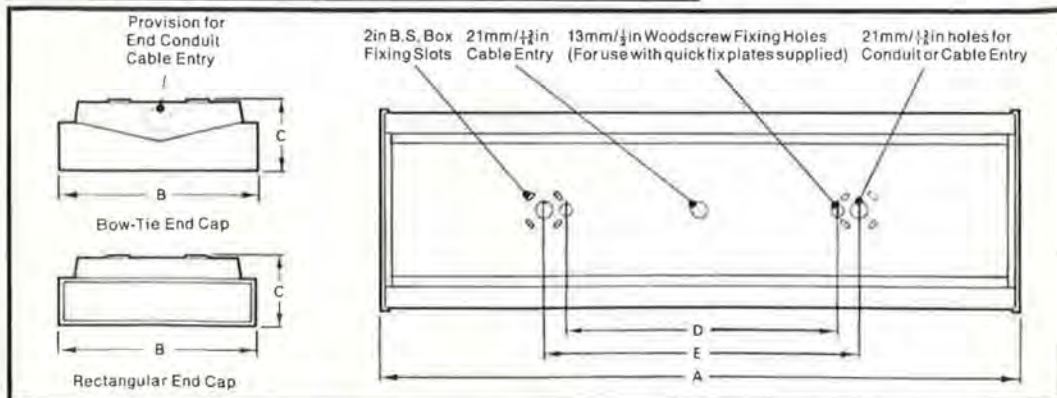
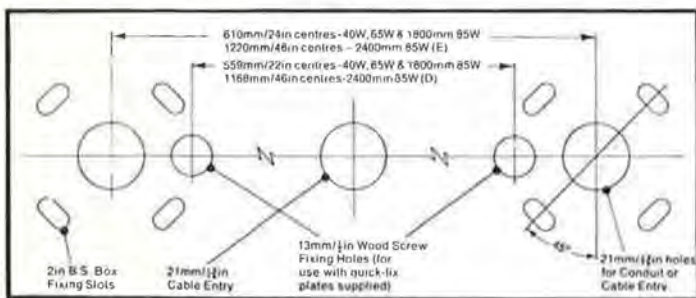
To specify state:

- Two-lamp surface-mounted luminaires for fluorescent lamps, complete with prismatic controller but with overall depth less than 90mm. Substantially as Philips Finesse.

STYLING OPTIONS



- (A) Standard 'bow-tie' end cap supplied with controller (no separate part number)
- (B) Optional rectangular end cap with grey textured finish (Cat. No. A7817)
- (C) Optional rectangular end cap fitted with simulated wood grain infill plate (Cat. Nos. A7817 and WG3)



DIMENSIONS & WEIGHTS

Individual mounting

Finesse luminaires can be close-mounted to the ceiling by BS box, woodscrew fixing

or recessed trunking, or they can be suspended on conduit tubes. The end conduit/cable entry in the batten end trim

is accessible when the 'bow-tie' end cap is used.

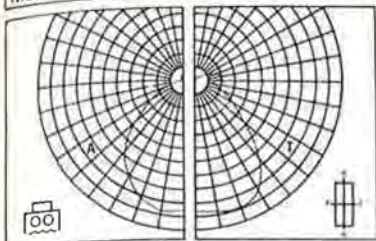
Catalogue No. (Complete luminaire)	Length A (mm/in.)	Width B (mm/in.)	Depth C (mm/in.)	Woodscrew fixing centres D (mm/in.)	Conduit hole fixing centres E (mm/in.)	Weight complete with lamps (kg/lb)
A1714S	1265/49.8	259/10.2	89/3.5	559/22	610/24	7.8/17.6
A1715S	1566/61.6	259/10.2	89/3.5	559/22	610/24	10.4/22.8
A1716X	1831/71.2	259/10.2	89/3.5	559/22	610/24	11.9/27
A1718X	2440/96.1	259/10.2	89/3.5	1168/46	1220/48	15.9/35.7

PHOTOMETRIC DATA

FINESSE PRISMATIC 2 LAMP

WITH CLEAR PRISMATIC CONTROLLER

Mounting: SUSPENDED



CIE Flux Number 274248

SHR MAX (Square)	1.64
SHR MAX TR (Transverse)	1.82

ULORL .08	Multiply by each Service Correction Factor
DLORL .51	
LORL .59	

Glare Data (IES)

Flux Fraction Ratio .16
 ACG Classification ACG5
 For RI = 2.5 at SHR = NOM B24

Luminous Area (sq cm)			
40W	65W	85W	85W
3200	3950	4650	6200

Measured: BS 5225 Part 1 1975
 Calculated: I.E.S. TR 2 and TR 10
 Test No: A335 Dated: 75.07.16

Photoset direct from Photometer tape output

Service Correction Factors

	40W 1200mm	65W 1500mm	85W 1800mm	85W 2400mm	
Rating Factor	1.05	1.00	1.00	1.05	
Amalgam Factor		1.13			
Ballast Lumen Factor SS	1.00	0.99			
Ballast Lumen Factor XS			0.96	0.99	

Utilization Factors UF (F)

Room Reflectances			Room Index								
C	W	F	0.75	1.0	1.25	1.5	2.0	2.5	3.0	4.0	5.0
70	50	10	35	39	43	45	48	50	52	54	55
	30		32	36	39	42	46	48	50	52	54
	10		29	33	37	40	44	46	48	51	53
50	50	10	34	37	41	43	46	48	49	51	53
	30		31	35	38	41	44	46	48	50	52
	10		29	32	36	38	42	44	46	49	51
30	50	10	33	36	39	41	44	46	47	49	50
	30		30	33	37	39	42	44	46	48	49
	10		28	31	35	37	41	43	44	47	48
0	0	0	26	29	33	35	38	40	41	43	45

Multiply by each Service Correction Factor

CONTINUOUS MOUNTING

An inter-body coupling set, Cat. No. A7822, is used in place of end caps. It includes a joining piece, a U bracket that is sprung into place between the battens and a join cover.

The table lists fixing dimensions for a continuous row of Finesse controller luminaires, using Cat. No. A7822 inter-body coupling sets. The diagram shows a pendant system using the minimum number of conduit tubes, in which the

conduit is attached to a suspension bracket (Cat. No. A7820) which bolts to the inter-body coupling set. If two conduit drops per luminaire are used, they may be attached directly to the body without the suspension bracket.

Catalogue No.	A	B	C	D	E
A1714S	327/12-9	610/24	654/25-75	937/36-9	1262/49-7
A1715S	477/18-8	610/24	955/37-6	1090/42-8	1565/61-6
A1716X	610/24	610/24	1220/48	1220/48	1830/72
A1718X	610/24	1220/48	1220/48	1830/72	2438/96

The use of the suspension bracket adds 21mm $\frac{3}{4}$ in. to the luminaire depth. The bracket has a clearance hole for 20mm $\frac{3}{4}$ in. conduit.

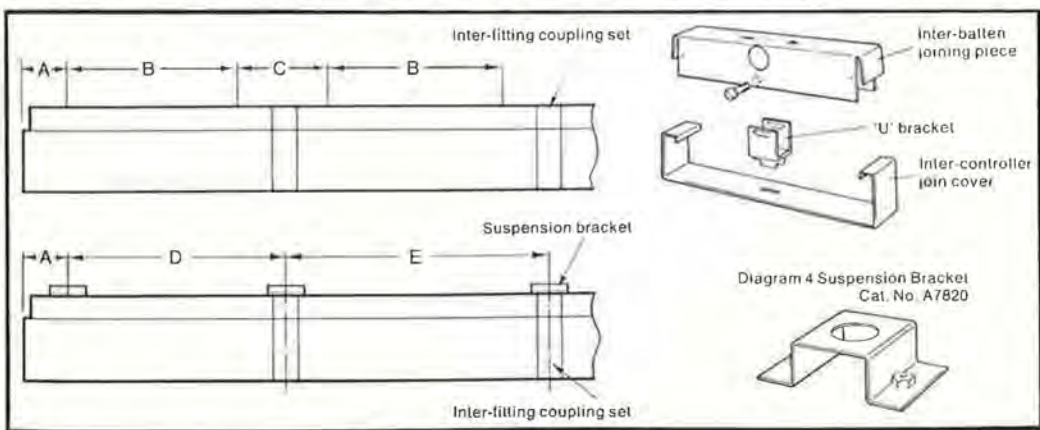


Diagram 4 Suspension Bracket Cat. No. A7820

ELECTRICAL DATA

Catalogue No.	Rating	Ballast catalogue No.	Capacitor	Circuit Watts (running)	Circuit current (Amperes)	Minimum power factor
A1714S	2 x 40W 1200mm (4ft) Switchstart	2 x BCS40	2 x 3.5mfd 10% 250V	104	0.46	0.9
A1715S	2 x 65W 1500mm (5ft) Switchstart	2 x BCS65	2 x 5.5mfd 10% 250V	154	0.68	0.9
A1716X	2 x 85W 1800mm (6ft) Starterless	2 x BBXKB5	2 x 8.4mfd 5% 250V	192	0.92	0.9
A1718X	2 x 85W 2400mm (8ft) Starterless	2 x BBX85	2 x 5.0mfd 5% 440V	204	0.90	0.9

All information quoted relates to average luminaires on a 240V 50Hz supply at 25°C.

All control gear is designed to have an adequately low harmonic content. On a balanced 3-phase 4-wire supply the current in the neutral does not exceed 3 x 25% of that in any line conductor.

RANGE OF OPERATION

240V 50Hz. Normal indoor conditions.

ORDERING DATA

Description	Catalogue No. Complete	Batten only	Controller only
2 x 40W 1200mm (4ft) switchstart	A1714S	A1704S	A7824
2 x 65W 1500mm (5ft) switchstart	A1715S	A1705S	A7825
2 x 85W 1800mm (6ft) starterless	A1716X	A1706X	A7826
2 x 85W 2400mm (8ft) starterless	A1718X	A1708X	A7828
2 x 65W 1500mm (5ft) with WideSpread Linsomatic optic	—	A1705S	A7925TLP*

*For further details of the WideSpread Linsomatic A7925TLP in the Finesse range, see Data Sheet PL 1725.

Please order in the form given in the following example, in multiples of the packing quantity:—

- 20 Philips Finesse luminaires A1716X
- 20 Philips coupling sets A7822
- 20 Philips suspension brackets A7820
- 10 Philips rectangular end caps A7817
- 10 pair Philips wood grain infills WG3

Accessories and spares

	Catalogue No.
Suspension bracket for pendant mounting	A7820
Inter-body coupling set	A7822
Woodgrain infill plates (1 pair)	WG3
Rectangular end cap (controller) (1 pair)	A7817
Spare lampholder assembly	A7831

Packing quantities

- Battens: Individually packed.
- Controllers: Packed in pairs.
- Infill plates: 1 pair per envelope, packed to order.
- Coupling sets: 5 per pack.
- Suspension brackets: 5 per pack.
- Rectangular end caps: Packed to order.
- Lamps should be ordered separately.

Made in U.K.

CI/SIB	(63.1)
UDC	696.6:628.972

2

FINESSE

De Luxe

Luminaires with Aluminium Attachments

Two standard Finesse battens, 2 x 65W and 2 x 85W, with De Luxe aluminium-framed clear prismatic controllers. The 2 x 65W version is also available with the WideSpread Linsomatic prismatic controller, which permits increased spacing between luminaires.

RANGE

Battens:

- 2 x 65W 1500mm (5ft)
- 2 x 85W 1800mm (6ft)

Controllers:

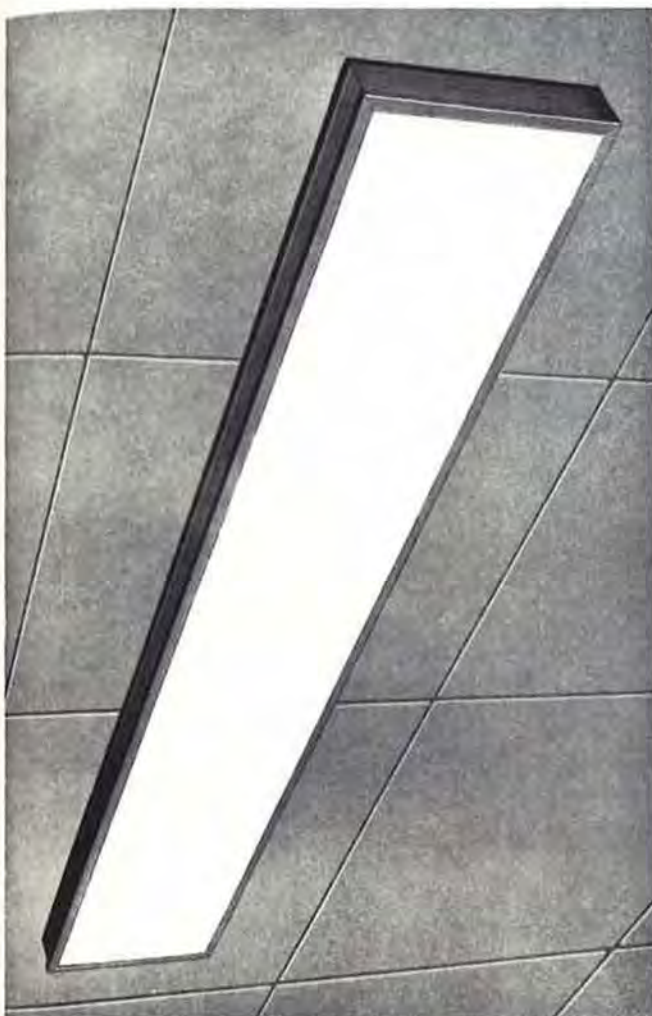
- 1500mm and 1800mm clear prismatic controller with aluminium frame.
- 1500mm WideSpread Linsomatic prismatic controller with aluminium frame (see Data Sheet PL 1724).

APPLICATIONS

Suitable for most commercial installations such as:-

- Boardrooms
- Offices
- Shops and Department Stores
- Banking Halls.

The aluminium frame blends well with modern decor. Although bold in appearance to suit spacious premises the luminaires are shallow, making them also suitable for use in modern premises with low ceilings.



A1750S 2 x 65W 1500mm (5ft)

Handbook Ref

1.23/2

To reorder this Data Sheet quote

11.27 PL1731

Replaces

PL8765/4

FLUORESCENT LUMINAIRE

FEATURES

- Shallow depth – only 89mm – provides an alternative to a recessed luminaire.
- Easy to install and maintain, thus saving money.
- Fashionable, bold appearance suits modern decor.
- The frame is supported along its full length, and hinges down on one side to simplify lamp changing.

In addition, the WideSpread Linsomatic prismatic controller permits wider spacing between luminaires, giving economic, and aesthetic lighting benefits.

Mounting: Close ceiling by BS box or woodscrew, or suspension by conduit tubes. End conduit entry is not possible.

MATERIALS & FINISH

Batten: Sheet steel body, Durawhite stoved finish, with light grey medium-impact polystyrene end trims.

Control gear: Low-loss ballasts attached with nuts and studs, and fused terminal block with capacity for 2.5mm² cable in each way. Control gear and wiring are concealed by internal reflector.

Aluminium frame and controllers: Extruded self-finish aluminium frame, polished and anodised, Clear polystyrene prismatic controller.

SPECIFICATION

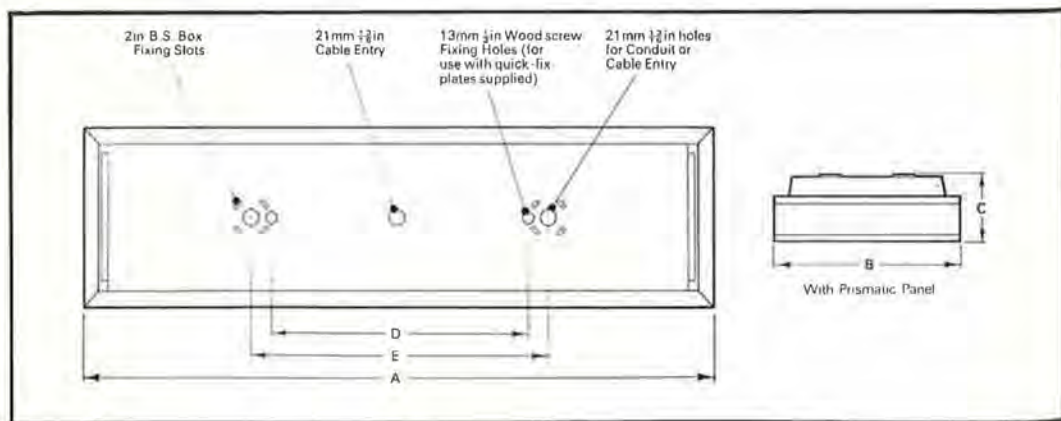
- Type compliance with BS 4533 2.2 Ordinary Indoor Class I.

To specify state:

Two-lamp surface-mounted luminaire for fluorescent lamps with prismatic controller with aluminium frame: substantially as Philips Finesse De Luxe luminaire.

RANGE OF OPERATION

240V 50Hz. Normal indoor operation.



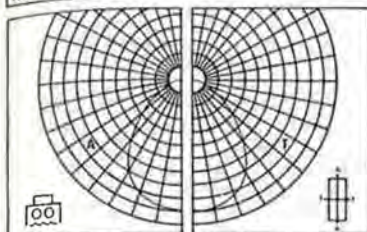
DIMENSIONS & WEIGHTS

Luminaire complete	Catalogue Numbers Attachment	Batten	Overall length A (mm/in.)	Overall width B (mm/in.)	Overall depth C (mm/in.)	Woodscrew fixing centres D (mm/in.)	Conduit hole fixing centres E (mm/in.)	Weight including lamps (kg/lb)
A1750S	A7850	A1705S	1592/62.7	269/10.6	89/3.5	559/22	610/24	11.8/26
—	A7850TLP	A1705S	1592/62.7	269/10.6	89/3.5	559/22	610/24	11.8/26
A1760X	A7860	A1706X	1858/73.1	269/10.6	89/3.5	559/22	610/24	13.9/30.7

PHOTOMETRIC DATA

FINESSE PRISMATIC 2 LAMP

WITH ALUMINIUM PRISMATIC PANEL IN FRAME
Mounting: SUSPENDED



CIE Flux Number 263841

SHR MAX (Square)	1.46
SHR MAX TR (Transverse)	1.58

ULORL .00	Multiply by each Service Correction Factor
DLORL .42	
LORL .42	

Glare Data (IES)

Flux Fraction Ratio	0
ACG Classification	ACG3
For RI = 2.5 at SHR = NOM	B23
Luminous Area (sq cm)	
65W	85W
3770	4410

Measured: BS 5225 Part 1 1975
Calculated: I.E.S. TR 2 and TR 10
Test No: A338 Dated: 75.07.17

Photoset direct from Photometer tape output.

Service Correction Factors

	65W 1500mm	85W 1800mm		
Rating Factor	1.00	1.00		
Amalgam Factor	1.20			
Ballast Lumen Factor SS	0.99			
Ballast Lumen Factor XS		0.96		

Utilization Factors UF (F)

Room Reflectances			Room Index								
C	W	F	0.75	1.0	1.25	1.5	2.0	2.5	3.0	4.0	5.0
70	50	10	27	30	33	34	37	38	39	40	41
	30		24	28	31	32	35	37	38	39	40
	10		23	26	29	31	33	35	37	38	39
50	50	10	26	30	32	34	36	37	38	39	40
	30		24	27	30	32	34	36	37	39	39
	10		23	26	29	30	33	35	36	38	39
30	50	10	26	29	32	33	35	37	37	39	39
	30		24	27	30	31	34	36	36	38	39
	10		22	26	29	30	33	35	36	37	38
0	0	0	22	25	28	29	32	34	35	36	37

Multiply by each Service Correction Factor

ELECTRICAL DATA

Batten catalogue No.	Rating	Ballast catalogue No.	Capacitor	Circuit Watts (running)	Circuit current (Amperes)	Minimum power factor
A1705S	2 x 65W 1500mm (5ft) switchstart	2 x BCS65	2 x 5.5mfd 10% 250V	154	0.68	0.9
A1708X	2 x 85W 1800mm (6ft) starterless	2 x BBXK85	2 x 8.4mfd 5% 440V	192	0.92	0.9

All control gear is designed to have an adequately low harmonic content. On a balanced 3-phase 4-wire supply, the current in the neutral does not exceed 3 x 25% of that in any line conductor.

All information quoted relates to average luminaires on a 240V 50Hz supply at 25°C.

ORDERING DATA

Description	Catalogue numbers		
	Composite* less lamps	Batten only	Attachment only
Rating – 2 x 65W 1500mm (5ft) switchstart			
Aluminium frame prismatic controller	A1750S	A1705S	A7850
Aluminium frame Linsomatic controller	—	A1705S	A7950TLP
Rating – 2 x 85W 1800mm (6ft) starterless			
Aluminium frame self-finish, prismatic controller	A1760X	A1706X	A7860
Spares			
Spare lampholder assembly	A7831		
Prismatic panel – for 1500mm frame	A7858		
Prismatic panel – for 1800mm frame	A7868		

Please order in the form given in the following example:

25 Philips A1760X Finesse De Luxe luminaires

Packing:

Battens: Individually packed.

Attachments: Individually packed.

Lamps should be ordered separately.

*A composite catalogue number is equivalent to the combination of batten and attachment.

Made in UK.

CI/SfB
(63.1)UDC
696.6:628.972

2

POLYPRISM

Surface-mounted luminaires
for fluorescent lamps



A range of luminaires with opal-sided prismatic controllers for surface mounting.

RANGE

Nominal size (mm)	Rating
1800 × 115	1 × 85W 1800mm (6ft) starterless
1500 × 300	2 × 65W 1500mm (5ft) switchstart
1800 × 300	2 × 85W 1800mm (6ft) starterless
600 × 600	4 × 20W 600mm (2ft) switchstart
1200 × 600	4 × 40W 1200mm (4ft) switchstart

APPLICATIONS

- Offices
- Reception areas
- Travel bureaux
- Hotels
- Municipal buildings
- Restaurants
- Hospitals

Handbook Ref.

1.23/3

To reorder this data sheet quote 9.79 PL 1745/2

Replaces

PL 1745/1

FEATURES

- Clean, simple lines with vertical sides, reduced dust collection. Easily cleaned.
- Two-part construction – sheet steel tray with Durawhite stoved finish inside and satin black finish outside, and a two-tone prismatic controller.
- The controller is fabricated from a clear polystyrene sheet having regular and well-defined prismatic impressions of pyramid form, welded to an opal polystyrene surround.
- Light passing through the prismatic base is directed onto the working plane, and controlled to prevent glare at normal viewing angles.

- The controller is fitted to the tray with spring catches to give positive location. It can be hinged downward by releasing the catches on one side, leaving the hands free to change lamps or carry out other routine servicing.
- All trays are fitted with low-loss control gear and are individually fused.
- Tray and controller are supplied packed in separate cartons to enable the controller to be kept clean while the tray is being erected, wired and lamped.
- Internal white reflector acts as coverplate to the control gear and improves the lit appearance.

MATERIALS & FINISH

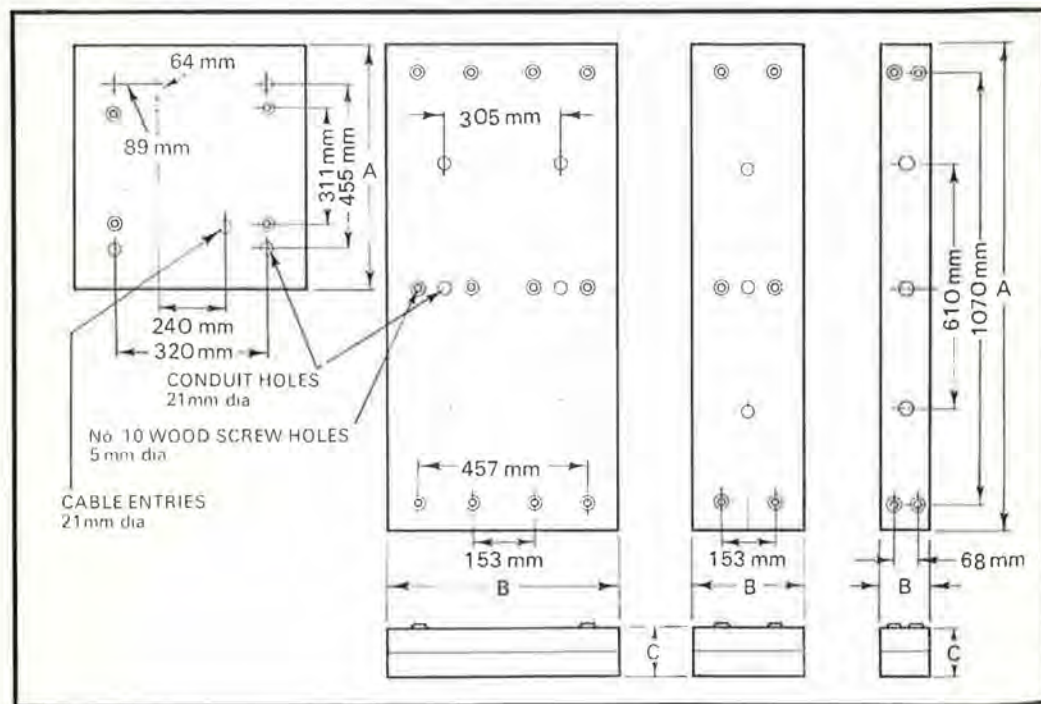
- Tray:** Sheet steel, Durawhite stoved finish inside, satin black outside.
- Controller:** Clear polystyrene prismatic base with opal polystyrene surround.

SPECIFICATION

- Type compliance with BS 4533 2.2 Class I, ordinary (IP20) indoor.

To specify state:

Fluorescent luminaire of two-part construction, the tray to be finished Durawhite stoved finish inside and black satin outside, with fused control gear, the controller to have a clear prismatic base and opal surround: substantially as Philips Polyprism,



DIMENSIONS & WEIGHTS

Nominal size (mm)	Overall dimensions (mm/in.)			Weight including lamps (kg/lb)
	Length (A)	Width (B)	Depth (C)	
1800 x 115	1830/72	115/4.5	115/4.5	6.9/15.2
1500 x 300	1570/61-81	310/12.25	115/4.5	14.5/31.9
1800 x 300	1830/72	310/12.25	115/4.5	15.6/34.3
600 x 600	660/26	615/24.25	115/4.5	12.7/27.9
1200 x 600	1270/50	615/24.25	115/4.5	20.6/45.3

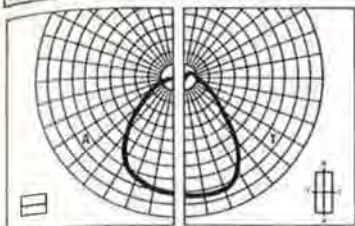
RANGE OF OPERATION

240V 50Hz. Normal indoor conditions.

PHOTOMETRIC DATA

POLYPRISM 2 LAMP

PRISMATIC SURROUND	BASE WITH	OPAL
Mounting: CEILING		



CIE Flux Number

314753

SHR MAX (Square)	1.50
SHR MAX TR (Transverse)	1.75

ULORL .06	Multiply by each Service Correction Factor
DLORL .57	
LORL .63	

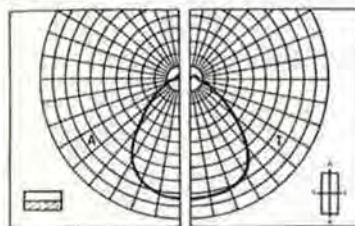
Glare Data (IES)

Flux Fraction Ratio	.11
ACG Classification	ACG3
For RI = 2.5 at SHR = NOM	BZ4
Luminous Area (sq cm)	
65W	85W
4850	5650

Measured: BS 5225 Part 1 1975
Calculated: I.E.S. TR 2 and TR 10
Test No: A853 Dated: 77.10.18

POLYPRISM 4 LAMP

PRISMATIC SURROUND	BASE WITH	OPAL
Mounting: CEILING		



CIE Flux Number

334954

SHR MAX (Square)	1.50
SHR MAX TR (Transverse)	1.80

ULORL .05	Multiply by each Service Correction Factor
DLORL .57	
LORL .62	

Glare Data (IES)

Flux Fraction Ratio	.09
ACG Classification	ACG6
For RI = 2.5 at SHR = NOM	BZ3
Luminous Area (sq cm)	
20W	
4050	

Measured: BS 5225 Part 1 1975
Calculated: I.E.S. TR 2 and TR 10
Test No: A876 Dated: 77.12.29

Photoset direct from Photometer tape output

Service Correction Factors

		65W 1500mm	85W 1800mm
Rating Factor		1.00	0.90
Amalgam Factor			
Ballast Lumen Factor SS		0.99	
Ballast Lumen Factor XS		0.95	0.96

Utilization Factors UF (F)

Room Reflectances			Room Index								
C	W	F	0.75	1.0	1.25	1.5	2.0	2.5	3.0	4.0	5.0
70	50	10	38	42	46	48	52	54	56	58	59
	30		34	38	42	45	49	51	53	56	58
	10		32	36	40	42	46	49	51	54	56
50	50	10	37	41	44	46	50	52	53	55	57
	30		34	37	41	43	47	50	51	54	56
	10		31	35	39	41	45	48	50	52	54
30	50	10	36	39	42	44	48	50	51	53	55
	30		33	36	40	42	46	48	50	52	53
	10		31	34	38	40	44	46	48	50	52
0	0	0	29	32	36	38	41	44	45	47	48

Multiply by each Service Correction Factor

Service Correction Factors

		20W 600 mm		
Rating Factor		1.00		
Amalgam Factor				
Ballast Lumen Factor SS		0.98		
Ballast Lumen Factor XS				

Utilization Factors UF (F)

Room Reflectances			Room Index								
C	W	F	0.75	1.0	1.25	1.5	2.0	2.5	3.0	4.0	5.0
70	50	10	39	43	46	49	52	54	56	58	59
	30		35	39	43	46	49	52	54	56	58
	10		33	37	41	43	47	50	52	54	56
50	50	10	38	42	45	47	50	52	54	55	57
	30		35	38	42	45	48	50	52	54	56
	10		32	36	40	42	46	48	50	52	55
30	50	10	37	40	43	46	48	50	52	53	55
	30		34	38	41	43	46	49	50	52	54
	10		32	35	39	41	45	47	49	51	53
0	0	0	30	34	37	39	43	45	46	48	50

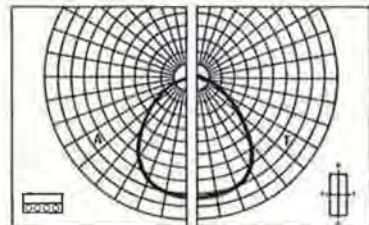
Multiply by each Service Correction Factor

PHOTOMETRIC DATA

POLYPRISM 4 LAMP

PRISMATIC SURROUND	BASE WITH	OPAL
--------------------	-----------	------

Mounting: CEILING



CIE Flux Number

355360

SHR MAX	(Square)	1.50
SHR MAX TR	(Transverse)	1.78

ULORL	.02	Multiply by each Service Correction Factor
DORL	.62	
LORL	.64	

Glare Data (IES)

Flux Fraction Ratio	.03
ACG Classification	ACG3
For RI = 2.5 at SHR = NOM	BZ3
Luminous Area (sq cm)	
	40W
	7750

Measured:	BS 5225 Part 1 1975
Calculated:	I.E.S. TR 2 and TR 10
Test No:	A896
Dated:	78.01.17

Photoset direct from Photometer tape output.

Service Correction Factors

		40W 1200mm	
Rating Factor		1.00	
Amalgam Factor			
Ballast Lumen Factor SS		1.00	
Ballast Lumen Factor XS		1.02	

Utilization Factors UF (F)

Room Reflectances			Room Index								
C	W	F	0.75	1.0	1.25	1.5	2.0	2.5	3.0	4.0	5.0
70	50	10	41	45	49	52	55	57	59	61	62
	30		37	42	46	49	52	55	57	59	61
	10		35	39	43	46	50	53	55	57	60
50	50	10	40	44	48	50	54	56	57	59	61
	30		37	41	45	48	51	54	55	58	60
	10		35	39	43	45	49	52	54	56	58
30	50	10	39	43	47	49	52	54	56	58	59
	30		37	40	44	47	50	53	54	56	58
	10		34	38	42	45	49	51	53	55	57
0	0	0	33	37	41	43	47	49	51	53	55

Multiply by each Service Correction Factor

ELECTRICAL DATA

Tray Catalogue No.	Rating	Circuit Watts per tray	Circuit current (Amperes)	Ballast	Capacitor	Starter
A 1776X	1 x 85W 1800mm (6ft)	96	0.46	BBXK85	8.4mfd 5% 250V	—
A 1765S	2 x 65W 1500mm (5ft)	158	0.68	2 x BCS65	2 x 8.0mfd 10% 250V	2 x S10
A 1797X	2 x 85W 1800mm (6ft)	192	0.92	2 x BBXK85	2 x 8.4mfd 5% 250V	—
A 1792S	4 x 20W 600mm (2ft)	104	0.46	2 x BCS40	2 x 3.5mfd 10% 250V	4 x S2
A 1794S	4 x 40W 1200mm (4ft)	208	0.92	4 x BCS40	4 x 3.5mfd 10% 250V	4 x S10

Note: All circuits have a power factor of at least 0.85 lagging.

All information is average and relates to a 240V 50Hz supply at 25°C.

ORDERING DATA

Nominal Size (mm)	Rating	Cat No. complete	Component parts	
			Tray	Prismatic controller
1800 x 115	1 x 85W 1800mm (6ft)	A1796X	A1776X	A7876
1500 x 300	2 x 65W 1500mm (5ft)	A1785S	A1765S	A7805
1800 x 300	2 x 85W 1800mm (6ft)	A1797X	A1777S	A7877
600 x 600	4 x 20W 600mm (2ft)	A1792S	A1772S	A7812
1200 x 600	4 x 40W 1200mm (4ft)	A1794S	A1774S	A7814

Trays and controllers are packed separately and individually.
Lamps should be ordered separately.

Please order in the form given in the following example:-

25 Philips Polyprism Luminaires A1785S

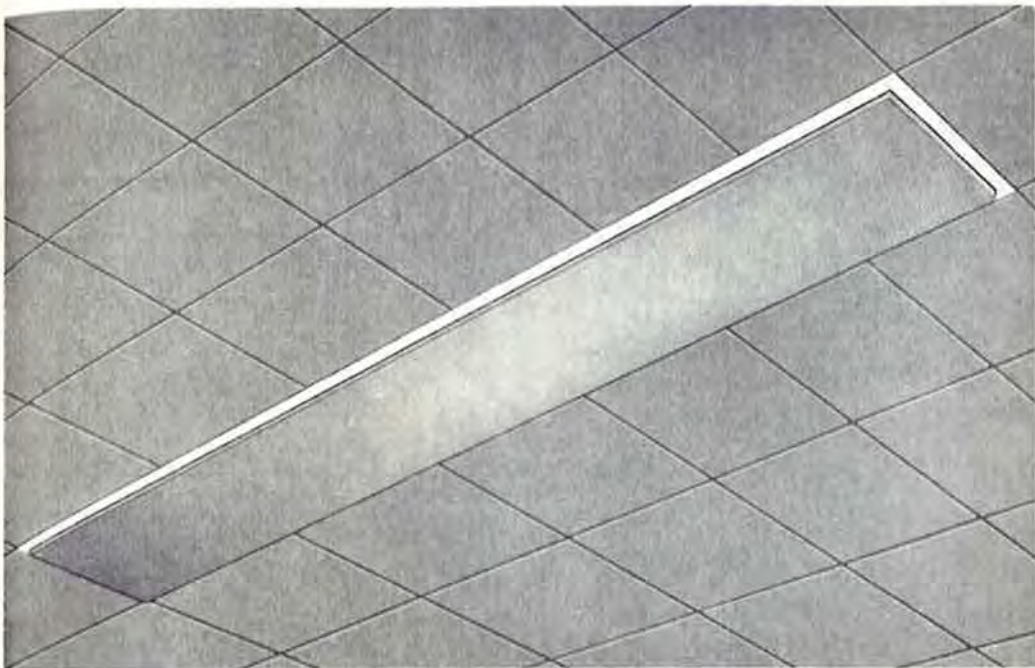
Made in Great Britain.

CI/SIB
(63.1)UDC
696.6:628.972

2

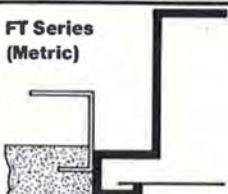
FT PLANNER

**300mm wide metric
recessed modular luminaire
with flush trim**



FT318/285/PC

FT Series (Metric)



with 'flush' trim for hole size
300mm x 1800mm

Recessed modular luminaire with flush trim to suit metric-dimension suspended ceilings with 300mm module apertures.

RANGE

Available in nominal size 300mm x 1800mm, with one or two lampways, fitted with either 85W 1800mm or 65W 1500mm lamps. All ratings available with prismatic controllers or opal diffusers. The 65W 1500mm is also available fitted with the WideSpread Linsomatic controller, enabling luminaires to be used at extended spacings between rows (see Data Sheet PL 1727).

APPLICATIONS

For 300mm module suspended ceilings used in situations such as:

- Shops and department stores
- Offices
- Municipal buildings
- Hospitals
- Restaurants and hotels
- Cinema and theatre foyers
- Banking halls

Handbook Ref.

1.2.4/1

To reorder this data sheet quote

9.79 PL 1735/2

Replaces

PL 1735/1

FLUORESCENT LUMINAIRES

FEATURES

- Fits with 'flush' trim into ceiling apertures, with low installed depth for use with shallow voids.
- Low-loss control gear for reduced energy consumption.
- One-piece controller or diffuser hinges down on one side to simplify lamp changing.
- Prismatic controller is a one-piece fabrication with a clear prismatic base and opal sides to control the downward spread of light and reduce sideways glare.
- Easily mounted from structural ceiling using 20mm ($\frac{3}{4}$ in.) conduit tubes or 6mm ($\frac{1}{4}$ in.) drop rods onto optional suspension plates, or can be directly mounted onto suspended ceiling grids of adequate strength by means of four optional bearer arms.

FIXING ACCESSORIES

(optional extras)

Suspension plate set - Cat. No. SP1



A set of four dual-purpose suspension plates for use with either 20mm ($\frac{3}{4}$ in.) conduit or 6mm ($\frac{1}{4}$ in.) rods fixed to the structural ceiling (four per luminaire).

Note: Luminaires may only be fixed to suspended ceilings of adequate strength, and it is therefore necessary to check in advance with the ceiling manufacturer or ceiling erector that the luminaires will be adequately supported, and that the ceiling members are suited to the bearer supports.

MATERIALS & FINISH

- Body (housing):** Sheet steel, Durawhite stoved finish.
- Control gear tray:** Sheet steel, Durawhite stoved finish.
- Lampholders:** White urea mouldings.
- Suspension plates and bearer supports:** Steel, zinc plated.
- Controllers:** Clear polystyrene prismatic sheet welded to opal edgings, with plated hinge clips.
- Diffuser:** Vacuum-formed opal polystyrene dish with plated hinge clips.

SPECIFICATION

- Type compliance with BS 4533-2.2 Ordinary Indoor Class I (electrical).

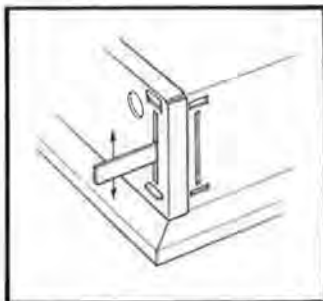
To specify state:

Modular recessed luminaires with Durawhite stoved finish. Substantially as Philips Planner luminaires.

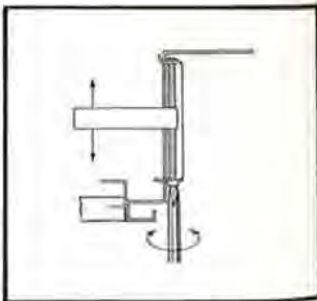
RANGE OF OPERATION

240V 50Hz. Normal indoor conditions.

Adjustable snap-fix bearer support set - Cat. No. BS1



A set of four bearer supports that are snap-fixed into position from inside the housing. The projecting arms bear on the support members of the suspended ceiling.



Adjusting screws give fine adjustment for lining up the trim with the underside of the ceiling.

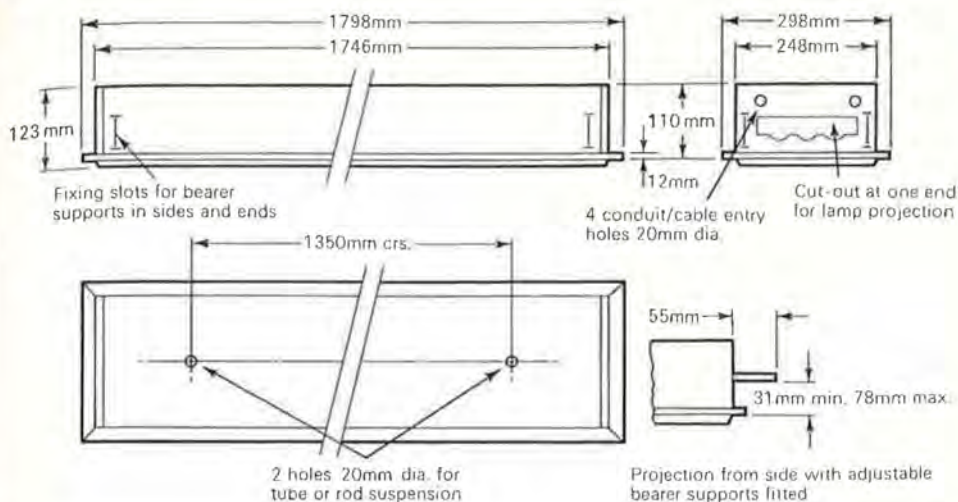
WEIGHTS & ELECTRICAL DATA

All data applicable to luminaires whether fitted with prismatic controllers or opal diffusers. All luminaires have nominal size 300mm x 1800mm.

Rating	Weight complete with lamps (kg/lb)	Circuit Watts (running)	Circuit current (Amperes)	Ballast Cat. No.	Capacitor (mfd)	Starter Cat. No.
2 x 65W 1500mm switchstart	15·1/33·2	154	0·69	2 x BCS65	2 x 5·5 10% 250V	2 x S10
1 x 85W 1800mm starterless	13·1/28·8	96	0·46	BBXK85	8·4 5% 440V	—
2 x 85W 1800mm starterless	15·1/33·2	192	0·92	2 x BBXK85	2 x 8·4 5% 440V	—

All information relates to average luminaire on a 240V 50Hz supply at 25°C.

On a balanced 3-phase 4-wire supply, the current in the neutral conductor does not exceed 3 x 25% of that in any line conductor.

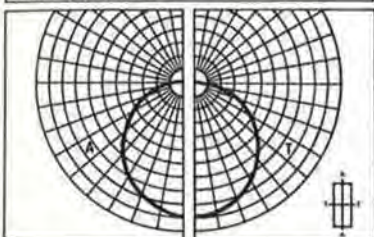


Note: For installation, at least 125mm clearance should be allowed above the lower surface of suspended ceilings.

PHOTOMETRIC DATA
ONE LAMP PLANNER

with OPAL DISH DIFFUSER (300mm wide)

Mounting: CEILING



L.O.R.	52%
BZ	4
UFF	1%
DFF	99%
S/H	1.5
Lum. Area	4360 cm ²

Utilization Factors UF (F)

Room Reflectances			Room Index								
C	W	F	0.75	1.0	1.25	1.5	2.0	2.5	3.0	4.0	5.0
70	50	10	30	34	37	39	42	45	46	48	49
	30		27	31	34	36	40	42	44	46	48
	10		24	28	31	34	38	40	42	45	46
50	50	10	30	33	36	38	41	43	45	47	48
	30		27	30	33	36	39	41	43	45	47
	10		24	28	31	33	37	40	42	44	46
30	30	10	26	30	33	35	38	41	43	45	46
	10		24	28	31	33	37	39	41	43	45
	0	0	0								

FOR TWO LAMP MULTIPLY L.O.R. AND UF(F) BY 0.94

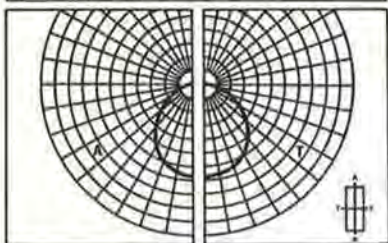
See also Photometric Data Sheet PL 1798.

PHOTOMETRIC DATA

TWO LAMP PLANNER

with PRISMATIC CONTROLLER (300mm wide)

Mounting: CEILING



L.O.R.	57%
BZ	3(2)4
UFF	1%
DFP	89%
S/H	1.25
Lum. Area	4360 cm ²

Utilization Factors UF (F)

Room Reflectances			Room Index								
C	W	F	0.75	1.0	1.25	1.5	2.0	2.5	3.0	4.0	5.0
70	50	10	37	41	44	47	48	51	52	55	56
	30		34	38	41	44	46	48	50	53	54
	10		31	35	39	41	43	46	48	51	53
50	50	10	36	40	44	46	47	50	51	53	54
	30		33	37	41	43	45	47	50	52	53
	10		31	35	39	41	43	45	48	51	52
30	30	10	33	37	40	43	44	46	48	50	52
	10		31	35	38	41	43	45	47	49	50
0	0	0									

FOR SINGLE LAMP MULTIPLY L.O.R. AND UF(F) BY 1.05

See also Photometric Data Sheet PL 1798.

ORDERING DATA

Description	Catalogue No. (complete luminaire)	Housing-complete with Gear	Component parts Diffuser	Prismatic controller
1 x 85W 1800mm opal diffuser	FT318/185DF	FT318/185	DF318	—
1 x 85W 1800mm prismatic controller	FT318/185PC	FT318/185	—	PC318
2 x 85W 1800mm opal diffuser	FT318/285DF	FT318/285	DF318	—
2 x 85W 1800mm prismatic controller	FT318/285PC	FT318/285	—	PC318
2 x 65W 1500mm opal diffuser	*FT318/265/DF/S	FT318/265	DF318	—
2 x 65W 1500mm prismatic controller	*FT318/265PC/S	FT318/265	—	PC318

*The WideSpread Linsomatic controller TLPC 318 is available for use with the 2 x 85W Housings (see Data Sheet PL 1727).

Accessories

Description	Catalogue No.	Packing Quantity
Suspension plates (2 per luminaire)	SP1	Sets of four
Adjustable bearer support set (4 per luminaire)	BS1	Sets of four

Complete luminaires are supplied individually packed, and diffusers and controllers are supplied packed two per carton.

Ordering codes for complete luminaires are sufficient to obtain all required components excepting accessories which should be ordered separately.

Lamps should be ordered separately.

Please order in the form given in the following example, in multiples of the packing quantity:

50 Philips Planner luminaires with prismatic controllers FT318/185PC
25 Philips suspension plate sets SP1

Made in Great Britain.

C1/S1B
(63.1)

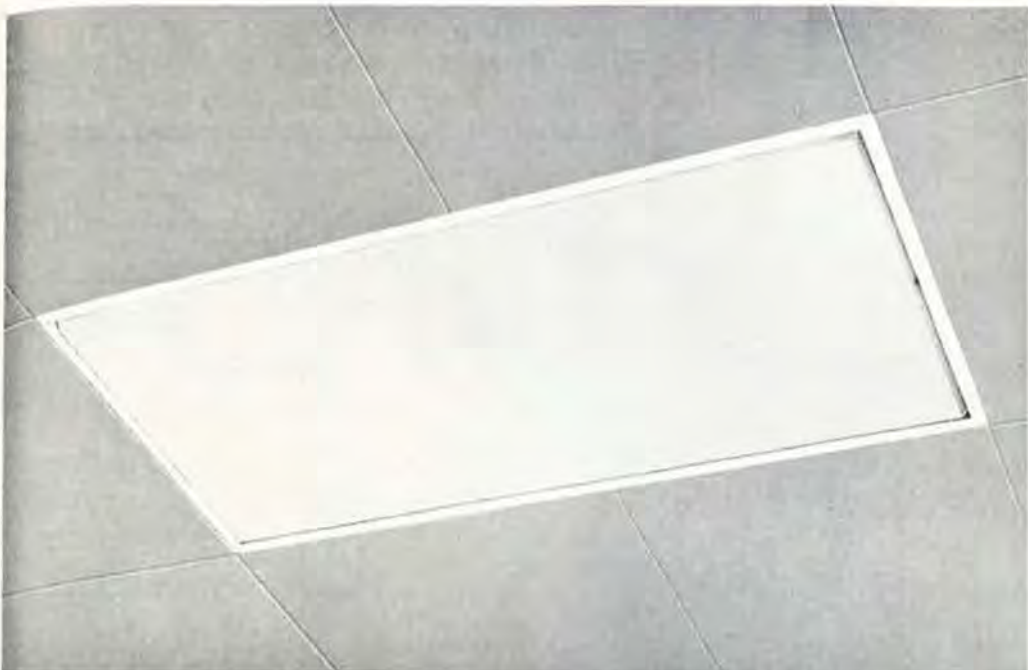
UDC

696.6:628.972

2

FT PLANNER

600mm wide metric



FT612/340/PC

FT Series (Metric) recessed modular luminaire with flush trim



Recessed modular luminaire to suit metric-dimension suspended ceilings. The trim is of the flush type to fit modular-construction ceilings with 600mm module apertures.

RANGE

600mm module apertures. There is a choice of lampways, and prismatic controllers or opal diffusers.

600mm x 600mm body size: Two or four lampways, switchstart circuits with 20W 600mm lamps.

600mm x 1200mm body size: Two, three or four lampways, switchstart circuits with 40W 1200mm lamps.

600mm x 1800mm body size: Two, three or four lampways, switchstart circuits with 65W 1500mm lamps or starterless circuits with 85W 1800mm lamps.

APPLICATIONS

For 600mm module suspended ceiling systems used in situations such as:

- Shops and department stores
- Offices
- Municipal buildings
- Hospitals
- Restaurants and hotels
- Cinema and theatre foyers
- Banking halls

FLUORESCENT LUMINAIRE

Handbook Ref

1.24/3

To reorder this data sheet quote

7.77 PL 1739

Replaces

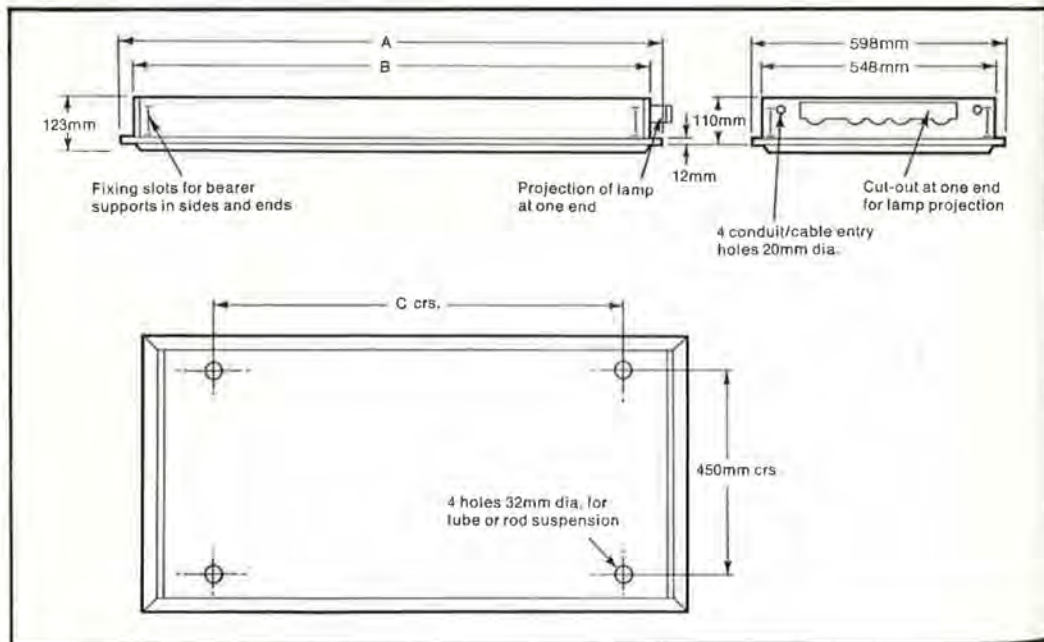
PL 9328/11/1

FEATURES

- Fits flush into ceiling apertures, with low installed depth for use with shallow voids.
- Low-loss control gear for reduced energy consumption.
- Separate circuits for inner and outer lamps on three- and four-lamp luminaires permit independent switching for choice of lighting levels.
- Separate gear trays for each circuit; each gear tray has its own fuse and terminal block.
- One-piece controller or diffuser hinges down on one side to simplify lamp changing.

- Prismatic controller is a one-piece fabrication with a clear prismatic base and opal sides to control the downward spread of light and reduce sideways glare.
- Easily mounted from structural ceiling using 20mm ($\frac{3}{4}$ in) conduit tubes or 6mm ($\frac{1}{4}$ in) drop rods on to optional suspension plates, or can be directly mounted on to suspended ceiling grids of adequate strength by means of four optional bearer arms.
- Optional sheet metal box to protect ends of lamps projecting above suspended ceilings.

- Two-three- and four-lamp variations in sizes above 600mm to suit a wide range of illuminance requirements.
- Optional suspension plates or bearer supports are available for suspending the luminaires from the main ceiling structure or mounting them directly on suspended ceiling grids of adequate strength.
- Opal diffusers or prismatic controllers are available for all body sizes.



NOTE:- 10mm clearance is required between the top of the luminaire and the structural ceiling to allow room for manoeuvring the luminaire into position.

DIMENSIONS & WEIGHTS

All data applicable to luminaires whether fitted with prismatic controllers or opal diffusers

Nominal size (mm)	Rating	Weight complete with lamps (kg/lb)	Dimensions (mm)		
			A	B	C
600 x 600	2 x 20W 600mm (2ft)	8-0/17-6	598	546	450
600 x 600	4 x 20W 600mm (2ft)	9-9/21-8			
600 x 1200	2 x 40W 1200mm (4ft)	14-5/31-9	1198	1146	900
600 x 1200	3 x 40W 1200mm (4ft)	16-9/37-2			
600 x 1200	4 x 40W 1200mm (4ft)	18-3/40-3			
600 x 1800	2 x 65W 1500mm (5ft)	20-6/45-3	1798	1746	1350
600 x 1800	3 x 65W 1500mm (5ft)	24-0/52-8			
600 x 1800	4 x 65W 1500mm (5ft)	26-0/57-2			
600 x 1800	2 x 85W 1800mm (6ft)	20-6/45-3			
600 x 1800	3 x 85W 1800mm (6ft)	24-0/52-8			
600 x 1800	4 x 85W 1800mm (6ft)	26-0/57-2			

MATERIALS & FINISH

Body (housing): Sheet steel, Durawhite stoved finish

Control gear tray: Sheet steel, Durawhite stoved finish

Lampholders: White urea mouldings

Suspension plates and bearer supports: Steel, galvanised finish

Controller: Clear polystyrene prismatic sheet welded to opal edgings, with plated hinge clips

Diffuser: Vacuum-formed opal polystyrene dish with plated hinge clips

SPECIFICATION

■ Type compliance with BS 4533 2.2. Ordinary Indoor Class I.

To specify state:

■ Modular recessed luminaires with Durawhite stoved finish and having gear trays with individual terminal blocks and fuses; substantially as Philips Planner luminaires.

RANGE OF OPERATION

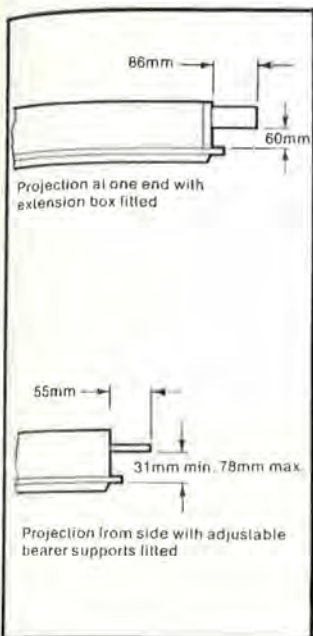
240V 50Hz.

Normal indoor conditions.

PHOTOMETRIC DATA

Photometric data for two-, three- and four-lamp versions of the FT Planner, with prismatic controllers or opal diffusers, is contained in a separate Photometric Data Sheet PL 1798.

2



ELECTRICAL DATA

Gear tray Catalogue No.	Circuit	Circuit Watts per gear tray	Circuit current (Amperes)	Ballast Cat. No.	Capacitor (mfd)	Starter Cat. No.
GTS220Y (inner lamps)	2 x 20W switchstart	52	0.23	BCS40	3.5 10% 250V	2 x S2
GTS220W (outer lamps)	2 x 20W switchstart	52	0.23	BCS40	3.5 10% 250V	2 x S2
GTS240Y (inner lamps)	2 x 40W switchstart	104	0.46	2 x BCS40	2 x 3.5 10% 250V	2 x S10
GTS240W (outer lamps)	2 x 40W switchstart	104	0.46	2 x BCS40	2 x 3.5 10% 250V	2 x S10
GTS285Y (inner lamps)	2 x 65W switchstart	154	0.68	2 x BCS65	2 x 5.5 10% 250V	2 x S10
GTS285W (outer lamps)	2 x 65W switchstart	154	0.68	2 x BCS65	2 x 5.5 10% 250V	2 x S10
GT185	1 x 85W starterless	96	0.46	BBXK85	8.4 5% 440V	—
GT285Y (inner lamps)	2 x 85W starterless	192	0.92	2 x BBXK85	2 x 8.4 5% 440V	—
GT285W (outer lamps)	2 x 85W starterless	192	0.92	2 x BBXK85	2 x 8.4 5% 440V	—
GTS140	1 x 40W switchstart	52	0.23	BSC40	3.5 10% 250V	S10
GTS165	1 x 65W switchstart	77	0.34	BCS65	5.0 10% 250V	S10

All information quoted relates to average luminaire on a 240V 50Hz supply at 25°C.

Where two gear trays are used per luminaire, the individual Wattage and current should be added to give the total figure.

On a balanced 3-phase 4-wire supply, the current in the neutral conductor does not exceed 3 x 25% of that in any line conductor.

ORDERING DATA

Nominal size (mm)	Rating	Catalogue No. (complete luminaire)	Housing	Component parts		
				Diffuser	Prismatic controller	Gear tray
600 x 600	2 x 20W 600mm (2ft)	FT66/220DF/S	FT66	DF66	—	GTS220Y
600 x 600	2 x 20W 600mm (2ft)	FT66/220PC/S	FT66	—	PC66	GTS220Y
600 x 600	4 x 20W 600mm (2ft)	FT66/420DF/S	FT66	DF66	—	GTS220Y
600 x 600	4 x 20W 600mm (2ft)	FT66/420PC/S	FT66	—	PC66	GTS220W
600 x 1200	2 x 40W 1200mm (4ft)	FT612/240DF/S	FT612	DF612	—	GTS240Y
600 x 1200	2 x 40W 1200mm (4ft)	FT612/240PC/S	FT612	—	PC612	GTS240Y
600 x 1200	3 x 40W 1200mm (4ft)	FT612/340DF/S	FT612	DF612	—	GTS140
600 x 1200	3 x 40W 1200mm (4ft)	FT612/340PC/S	FT612	—	PC612	GTS240W
600 x 1200	4 x 40W 1200mm (4ft)	FT612/440DF/S	FT612	DF612	—	GTS140
600 x 1200	4 x 40W 1200mm (4ft)	FT612/440PC/S	FT612	—	PC612	GTS240W
600 x 1800	2 x 65W 1500mm (5ft)	FT618/265DF/S	FT618	DF618	—	GTS265Y
600 x 1800	2 x 65W 1500mm (5ft)	FT618/265PC/S	FT618	—	PC618	GTS265Y
600 x 1800	3 x 65W 1500mm (5ft)	FT618/365DF/S	FT618	DF618	—	GTS165
600 x 1800	3 x 65W 1500mm (5ft)	FT618/365PC/S	FT618	—	PC618	GTS265W
600 x 1800	4 x 65W 1500mm (5ft)	FT618/465DF/S	FT618	DF618	—	GTS165
600 x 1800	4 x 65W 1500mm (5ft)	FT618/465PC/S	FT618	—	PC618	GTS265W
600 x 1800	2 x 85W 1800mm (6ft)	FT618/285DF	FT618	DF618	—	GT285Y
600 x 1800	2 x 85W 1800mm (6ft)	FT618/285PC	FT618	—	PC618	GT285Y
600 x 1800	3 x 85W 1800mm (6ft)	FT618/385DF	FT618	DF618	—	GT185
600 x 1800	3 x 85W 1800mm (6ft)	FT618/385PC	FT618	—	PC618	GT285W
600 x 1800	4 x 85W 1800mm (6ft)	FT618/485DF	FT618	DF618	—	GT185
600 x 1800	4 x 85W 1800mm (6ft)	FT618/485PC	FT618	—	PC618	GT285W

Lamps should be ordered separately.

Please order in the form given in the following example, in multiples of the packing quantity:

50 Philips Planner luminaires with prismatic controllers FT618/485PC
 50 Philips Extension Box for 600mm housings EB2
 50 Philips suspension plate sets SP1

Accessories

Cat.No.	Description	Packing quantity
SP1	Suspension Plate sets for use with 20mm conduit or 6mm($\frac{1}{4}$ ") rod suspension.	Set of four
BS1	Bearer Supports. Optional for suspension on ceiling grid.	Set of four
EB2	End box for 600mm housing (not needed for 1800mm housing fitted with 1500mm lamps).	Individually packed
A1249	Spare lampholder with clip	Packed to order

Complete luminaires are supplied individually packed, and diffusers and controllers are supplied packed two per carton.

Gear trays are packed separately and individually. Ordering codes for complete luminaires are sufficient to obtain all required components excepting accessories which should be ordered separately.

Notes:-

Gear tray types GTS165 and GTS265 Y/W each contain a suspension kit and end cap blanking piece for use with 1500mm lamps. These lamps are supported by spring clips that fit into holes provided in the housing. Full details are given in the Customer Information Service leaflet supplied with the gear tray.

Made in Great Britain

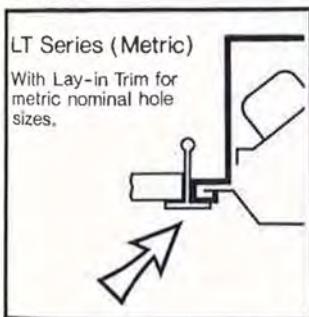
LT PLANNER

600mm wide metric



LT612 with DF612

600mm wide fluorescent recessed luminaire for exposed-tee suspended ceilings



RANGE

600mm module body sizes. There is a choice of lampways, and prismatic controllers or opal diffusers.

600mm x 600mm nominal body size: Two or four lampways, switchstart circuits with 20W 600mm lamps.

600mm x 1200mm nominal body size: Two, three or four lampways, switchstart circuits with 40W 1200mm lamps.

600mm x 1800mm nominal body size: Two, three or four lampways, switchstart circuits with 65W 1500mm lamps or starterless circuits with 85W 1800mm lamps.

Opal diffusers or prismatic controllers are available for all body sizes.

APPLICATIONS

For 600mm module exposed tee grid ceiling systems used in situations such as:

- Shops and department stores
- Offices
- Hospitals
- Restaurants and hotels
- Banking halls

Handbook Ref.

1.24/5

To reorder this data sheet quote

1.78 PL1797

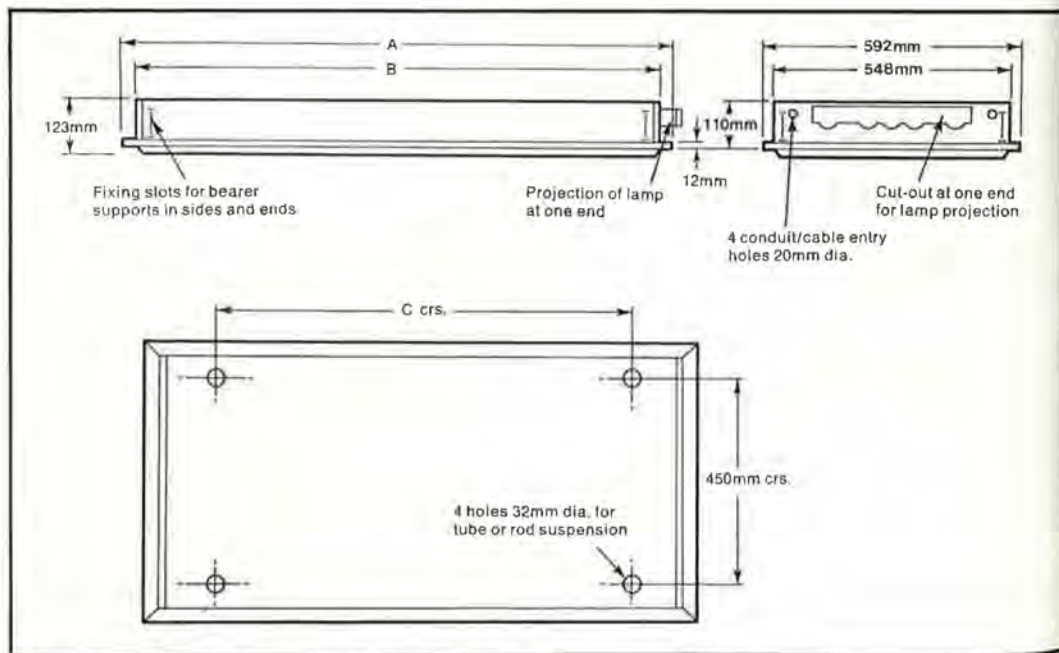
Replaces

PL 9328

FEATURES

- Fits flush into exposed tee grid, with low installed depth for use with shallow voids.
- Separate gear trays for each circuit; each gear tray has its own fuse and terminal block.
- Separate circuits for inner and outer lamps on three- and four-lamp luminaires permits independent switching for choice of lighting levels.
- One-piece controller or diffuser hinges down on one side to simplify lamp changing.
- Prismatic controller is a one-piece fabrication with a clear prismatic base and opal sides to control the downward spread of light and reduce sideways glare.

- Easily mounted from structural ceiling using 20mm ($\frac{3}{4}$ in) conduit tubes or 6mm ($\frac{1}{4}$ in) drop rods on to optional suspension plates, or can be directly mounted on to suspended ceiling grid (of adequate strength) by means of four optional bearer supports.
- Optional sheet metal box to protect ends of lamps projecting above suspended ceilings.
- Two-, three- and four-lamp variations in sizes above 600mm to suit a wide range of illuminance requirements.



NOTE:- 10mm clearance is required between the top of the luminaire and the structural ceiling to allow room for manoeuvring the luminaire into position.

ELECTRICAL DATA

Gear tray Catalogue No.	Circuit	Circuit Watts per gear tray	Circuit current (Amperes)	Ballast Cat. No.	Capacitor (mfd)	Starter Cat. No.
GTS220Y (inner lamps)	2 x 20W switchstart	52	0.23	BCS40	3.5 10% 250V	2 x S2
GTS220W (outer lamps)	2 x 20W switchstart	52	0.23	BCS40	3.5 10% 250V	2 x S2
GTS240Y (inner lamps)	2 x 40W switchstart	104	0.46	2 x BCS40	2 x 3.5 10% 250V	2 x S10
GTS240W (outer lamps)	2 x 40W switchstart	104	0.46	2 x BCS40	2 x 3.5 10% 250V	2 x S10
GTS265Y (inner lamps)	2 x 65W switchstart	154	0.68	2 x BCS65	2 x 5.5 10% 250V	2 x S10
GTS265W (outer lamps)	2 x 65W switchstart	154	0.68	2 x BCS65	2 x 5.5 10% 250V	2 x S10
GT185	1 x 85W starterless	96	0.46	BBXK85	8.4 5% 440V	—
GT285Y (inner lamps)	2 x 85W starterless	192	0.92	2 x BBXK85	2 x 8.4 5% 440V	—
GT285W (outer lamps)	2 x 85W starterless	192	0.92	2 x BBXK85	2 x 8.4 5% 440V	—
GTS140	1 x 40W switchstart	52	0.23	BCS40	3.5 10% 250V	S10
GTS165	1 x 65W switchstart	77	0.34	BCS65	5.5 10% 250V	S10

All information quoted relates to a 240V 50Hz supply at 25°C.

Where two gear trays are used per luminaire, the individual Wattage and current should be added to give the total figure.

On a balanced 3-phase 4-wire supply, the current in the neutral conductor does not exceed 3 x 25% of that in any line conductor.



*Queensway Discount Warehouse
using ET Planner with Linsomatic
'WideSpread' luminaires and Colour
84 lamps.*



*East Midland Electricity Board using
Special Project Luminaires with
Perforated controllers and TLH
Lamps.*

MATERIALS & FINISH

Body (housing): Sheet steel, Durawhite stoved finish

Control gear tray: Sheet steel, Durawhite stoved finish.

Lampholders: White urea mouldings

Suspension plates and bearer supports: Steel, galvanised finish

Controller: Clear polystyrene prismatic sheet welded to opal edgings, with plated hinge clips

Diffuser: Vacuum-formed opal polystyrene dish with plated hinge clips

SPECIFICATION

■ Type compliance with BS 4533 2.2. Ordinary Indoor Class I.

To specify state:

Modular recessed luminaires for exposed tee ceilings with Durawhite stoved finish and having gear trays with individual terminal blocks and fuses; substantially as Philips Planner luminaires.

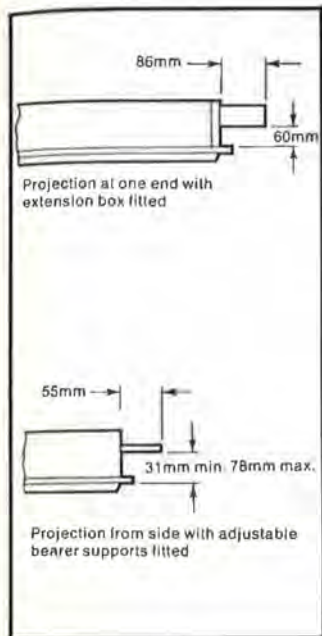
RANGE OF OPERATION

240V 50Hz.

Normal indoor conditions.

PHOTOMETRIC DATA

Photometric data for two-, three- and four-lamp versions of the LT Planner, with prismatic controllers or opal diffusers, is contained in a separate Photometric Data Sheet PL 1804.



DIMENSIONS & WEIGHTS

All data applicable to luminaires whether fitted with prismatic controllers or opal diffusers.

Nominal size (mm)	Rating	Weight complete with lamps (kg/lb)	Dimensions (mm)		
			A	B	C
600 x 600	2 x 20W 600mm (2ft)	8-0/17-6	592	546	450
600 x 600	4 x 20W 600mm (2ft)	9-9/21-8	592	546	450
600 x 1200	2 x 40W 1200mm (4ft)	14-5/31-9	1192	1146	900
600 x 1200	3 x 40W 1200mm (4ft)	16-9/37-2	1192	1146	900
600 x 1200	4 x 40W 1200mm (4ft)	18-3/40-3	1192	1146	900
600 x 1800	2 x 65W 1500mm (5ft)	20-6/45-3	1792	1746	1350
600 x 1800	3 x 65W 1500mm (5ft)	24-0/52-8	1792	1746	1350
600 x 1800	4 x 65W 1500mm (5ft)	26-0/57-2	1792	1746	1350
600 x 1800	2 x 85W 1800mm (6ft)	20-6/45-3	1792	1746	1350
600 x 1800	3 x 85W 1800mm (6ft)	24-0/52-8	1792	1746	1350
600 x 1800	4 x 85W 1800mm (6ft)	26-0/57-2	1792	1746	1350

ORDERING DATA

Nominal size (mm)	Rating	Cat. No. (complete luminaire)	Housing	Component parts		
				Diffuser	Prismatic controller	Gear Tray
600 x 600	2 x 20W 600mm (2ft)	LT66/220DF/S	LT66	DF66	—	GTS220Y
600 x 600	2 x 20W 600mm (2ft)	LT66/220PC/S	LT66	—	PC66	GTS220Y
600 x 600	4 x 20W 600mm (2ft)	LT66/420DF/S	LT66	DF66	—	GTS220Y
						GTS220W
600 x 600	4 x 20W 600mm (2ft)	LT66/420PC/S	LT66	—	PC66	GTS220Y
						GTS220W
600 x 1200	2 x 40W 1200mm (4ft)	LT612/240DF/S	LT612	DF612	—	GTS240Y
600 x 1200	2 x 40W 1200mm (4ft)	LT612/240PC/S	LT612	—	PC612	GTS240Y
600 x 1200	3 x 40W 1200mm (4ft)	LT612/340DF/S	LT612	DF612	—	GTS140
						GTS240W
600 x 1200	3 x 40W 1200mm (4ft)	LT612/340PC/S	LT612	—	PC612	GTS140
						GTS240W
600 x 1200	4 x 40W 1200mm (4ft)	LT612/440DF/S	LT612	DF612	—	GTS240Y
						GTS240W
600 x 1200	4 x 40W 1200mm (4ft)	LT612/440PC/S	LT612	—	PC612	GTS240Y
						GTS240W
600 x 1800	2 x 65W 1500mm (5ft)	LT618/265DF/S	LT618	DF618	—	GTS265Y
600 x 1800	2 x 65W 1500mm (5ft)	LT618/265PC/S	LT618	—	PC618	GTS265Y
600 x 1800	3 x 65W 1500mm (5ft)	LT618/365DF/S	LT618	DF618	—	GTS165
						GTS265W
600 x 1800	3 x 65W 1500mm (5ft)	LT618/365PC/S	LT618	—	PC618	GTS165
						GTS265W
600 x 1800	4 x 65W 1500mm (5ft)	LT618/465DF/S	LT618	DF618	—	GTS265Y
						GTS265W
600 x 1800	4 x 65W 1500mm (5ft)	LT618/465PC/S	LT618	—	PC618	GTS265Y
						GTS265W
600 x 1800	2 x 85W 1800mm (6ft)	LT618/285DF	LT618	DF618	—	GT285Y
600 x 1800	2 x 85W 1800mm (6ft)	LT618/285PC	LT618	—	PC618	GT285Y
600 x 1800	3 x 85W 1800mm (6ft)	LT618/385DF	LT618	DF618	—	GT185
						GT285W
600 x 1800	3 x 85W 1800mm (6ft)	LT618/385PC	LT618	—	PC618	GT185
						GT285W
600 x 1800	4 x 85W 1800mm (6ft)	LT618/485DF	LT618	DF618	—	GT285Y
						GT285W
600 x 1800	4 x 85W 1800mm (6ft)	LT618/485PC	LT618	—	PC618	GT285Y
						GT285W

Lamps should be ordered separately.

Complete luminaires are supplied individually packed, and diffusers and controllers are supplied **packed two per carton**.

Gear trays are **packed separately** and individually. **Ordering codes** for complete luminaires are sufficient to obtain all **required** components excepting **accessories** which should be ordered separately.

Please order in the form given in the following example, in multiples of the packing quantity:

50 Philips Planner luminaires with prismatic controllers LT618/485PC
 50 Philips End Box for 600mm housings EB2
 50 Philips suspension plate sets SP1

Accessories

Cat. No.	Description	Packing Quantity
SP1	Suspension Plate sets for use with 20mm conduit or 6mm ($\frac{1}{4}$ ") rod suspension	Set of four
BS1	Bearer Supports. Optional for suspension on ceiling grid	Set of four
EB2	End box for 600mm housing (not needed for 1800mm housing fitted with 1500mm lamps)	Individually packed
A1249	Spare lampholder with clip	Packed to order

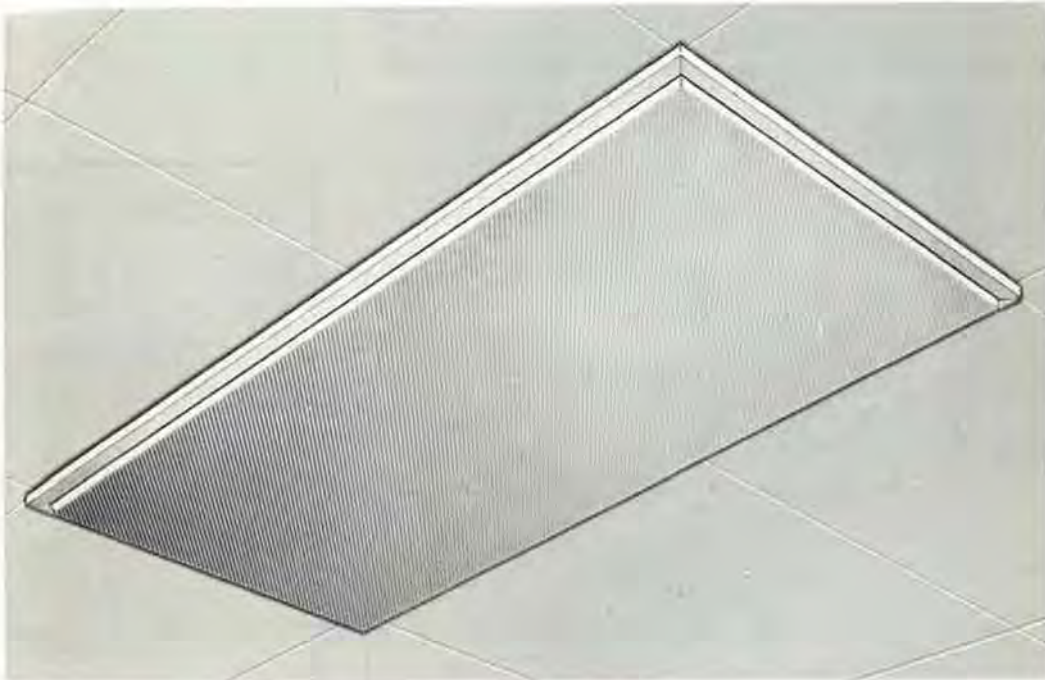
Notes:—

Gear tray types GTS165 and GTS265 Y/W each contain a suspension kit and end cap blanking piece for use with 1500mm lamps. The lamps are supported by spring clips that fit into holes provided in the housing. Full details are given in the leaflet supplied with the gear tray.

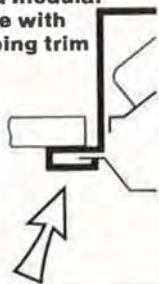
Made in Great Britain

OT PLANNER

600mm wide metric



OT Series (Metric) recessed modular luminaire with overlapping trim



Recessed modular luminaire to suit 600mm module metric-dimension suspended ceilings. The trim is of the over-lapping type to mask the edge of the ceiling opening.

RANGE

600mm × 600mm body size: Two or four lampways, switchstart circuits with 20W 600mm lamps.

600mm × 1200mm body size: Two, three or four lampways, switchstart circuits with 40W 1200mm lamps.

600mm × 1800mm body size: Two, three or four lampways, switchstart circuits with 65W 1500mm lamps or starterless circuits with 85W 1800mm lamps.

APPLICATIONS

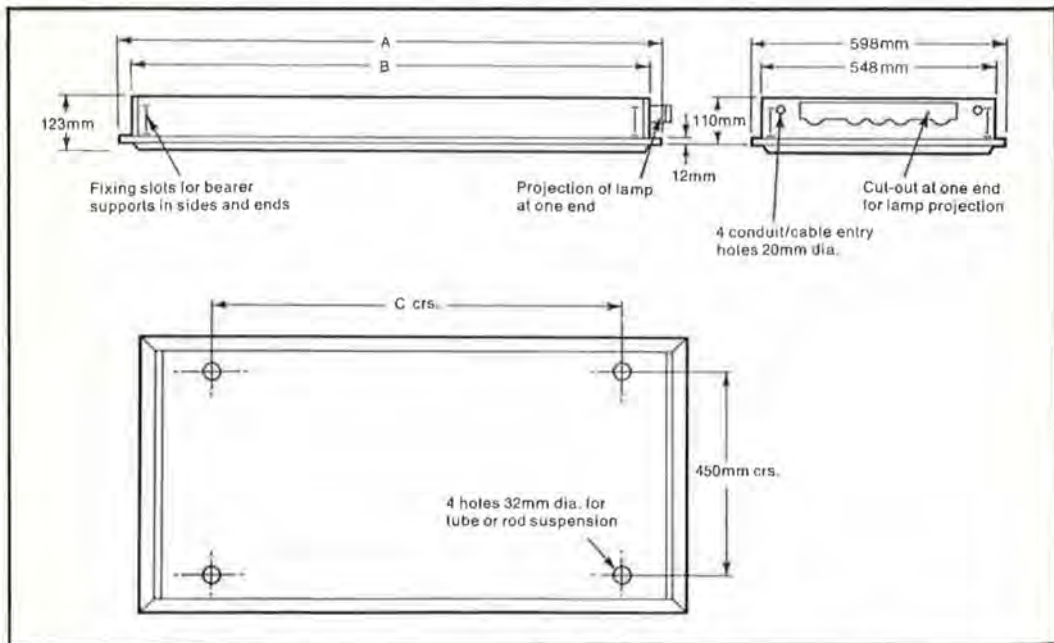
For 600mm module suspended ceiling systems where the luminaires must mask the edges of the ceiling openings (for example, with plaster ceilings), in situations such as:

- Shops and department stores
- Offices
- Municipal buildings
- Hospitals
- Restaurants and hotels
- Cinema and theatre foyers
- Banking halls

FEATURES

- Fits flush into ceiling apertures, with overlapping trim to mask the edges of the aperture; low installed depth permits use with shallow voids.
- Low-loss control gear for reduced energy consumption.
- Separate circuits for inner and outer lamps on three- and four-lamp luminaires permit independent switching for choice of lighting levels.
- Separate gear trays for each circuit; each gear tray has its own fuse and terminal block.
- One-piece controller or diffuser hinges down on one side to simplify lamp changing.
- Prismatic controller is a one-piece fabrication with a clear prismatic base and opal sides to control the downward spread of light and reduce sideways glare.

- Easily mounted from structural ceiling using 20mm (3/4 in.) conduit tubes or 6mm (1/4 in.) drop rods on to optional suspension plates, or can be directly mounted on to suspended ceilings of adequate strength by means of four optional bearer arms.
- Optional sheet metal box to protect ends of lamps projecting above suspended ceilings.
- Two-, three- and four-lamp variations in sizes above 600mm to suit a wide range of illuminance requirements.
- Optional suspension plates or bearer supports are available for suspending the luminaires from the main ceiling structure or mounting them directly on suspended ceilings of adequate strength.
- Opal diffusers or prismatic controllers are available for all body sizes.



NOTE:- 10mm clearance is required between the top of the luminaire and the structural ceiling to allow room for manoeuvring the luminaire into position.

DIMENSIONS & WEIGHTS

All data applicable to luminaires whether fitted with prismatic controllers or opal diffusers.

Nominal size (mm)	Rating	Weight complete with lamps (kg/lb)	Dimensions (mm)		
			A	B	C
600 x 600	2 x 20W 600mm (2ft)	8.5/18.7	628	546	450
600 x 600	4 x 20W 600mm (4ft)	10.4/22.9			
600 x 1200	2 x 40W 1200mm (4ft)	15.2/33.4	1228	1146	900
600 x 1200	3 x 40W 1200mm (4ft)	17.6/38.7			
600 x 1200	4 x 40W 1200mm (4ft)	19.0/41.8			
600 x 1800	2 x 65W 1500mm (5ft)	21.5/47.3	1828	1746	1350
600 x 1800	3 x 65W 1500mm (5ft)	24.9/54.8			
600 x 1800	4 x 65W 1500mm (5ft)	26.0/57.2			
600 x 1800	2 x 85W 1800mm (6ft)	21.5/47.3			
600 x 1800	3 x 85W 1800mm (6ft)	24.9/54.8			
600 x 1800	4 x 85W 1800mm (6ft)	26.0/57.2			

MATERIALS & FINISH

Body (housing): Sheet steel, Dura-white stoved finish.

Control gear tray: Sheet steel, Dura-white stoved finish.

Lampholders: White urea mouldings.

Suspension plates and bearer supports: Steel, galvanised finish.

Controller: Clear polystyrene prismatic sheet welded to opal edgings, with plated hinge clips.

Diffuser: Vacuum-formed opal polystyrene dish with plated hinge clips.

SPECIFICATION

■ Type compliance with BS 4533 2.2 Ordinary Indoor Class I.

To specify state:

■ Modular recessed luminaire with overlapping trim, with Durawhite stoved finish and having gear trays with individual terminal blocks and fuses; substantially as Philips Planner luminaires.

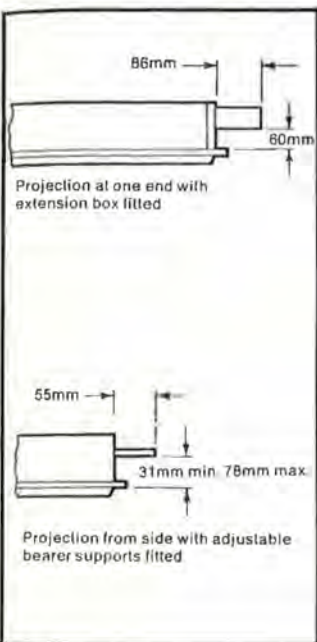
RANGE OF OPERATION

240V 50Hz. Normal indoor conditions.

PHOTOMETRIC DATA

Photometric data for two-, three- and four-lamp versions of the OT Planner, with prismatic controllers or opal diffusers, is contained in a separate Photometric Data Sheet PL 1804.

2



ELECTRICAL DATA

Gear tray Catalogue No.	Circuit	Circuit Watts per gear tray	Circuit current (Amperes)	Ballast Cat. No.	Capacitor (mfd)	Starter Cat. No.
GTS220Y (inner lamps)	2 x 20W switchstart	52	0.23	BCS40	3.5 10% 250V	2 x S2
GTS220W (outer lamps)	2 x 20W switchstart	52	0.23	BCS40	3.5 10% 250V	2 x S2
GTS240Y (inner lamps)	2 x 40W switchstart	104	0.46	2 x BCS40	2 x 3.5 10% 250V	2 x S10
GTS240W (outer lamps)	2 x 40W switchstart	104	0.46	2 x BCS40	2 x 3.5 10% 250V	2 x S10
GTS265Y (inner lamps)	2 x 65W switchstart	154	0.68	2 x BCS65	2 x 5.5 10% 250V	2 x S10
GTS265W (outer lamps)	2 x 65W switchstart	154	0.68	2 x BCS65	2 x 5.5 10% 250V	2 x S10
GT185	1 x 85W starterless	98	0.46	BBXK85	8.4 5% 440V	—
GT285Y (inner lamps)	2 x 85W starterless	192	0.92	2 x BBXK85	2 x 8.4 5% 440V	—
GT285W (outer lamps)	2 x 85W starterless	192	0.92	2 x BBXK85	2 x 8.4 5% 440V	—
GTS140	1 x 40W switchstart	52	0.23	BCS40	3.5 10% 250V	S10
GTS165	1 x 65W switchstart	77	0.34	BCS65	5.0 10% 250V	S10

All information quoted relates to average luminaire on a 240V 50Hz supply at 25°C.

Where two gear trays are used per luminaire, the individual Wattage and current should be added to give the total figure.

On a balanced 3-phase 4-wire supply, the current in the neutral conductor does not exceed 3 x 25% of that in any line conductor.

ORDERING DATA

Nominal size (mm)	Rating	Catalogue No. (complete luminaire)	Housing	Component parts		
				Diffuser	Prismatic controller	Gear Tray
600 x 600	2 x 20W 600mm (2ft)	OT66/220DF/S	OT66	DF66	—	GTS220Y
600 x 600	2 x 20W 600mm (2ft)	OT66/220PC/S	OT66	—	PC66	GTS220Y
600 x 600	4 x 20W 600mm (2ft)	OT66/420DF/S	OT66	DF66	—	GTS220Y GTS220W
600 x 600	4 x 20W 600mm (2ft)	OT66/420PC/S	OT66	—	PC66	GTS220Y GTS220W
600 x 1200	2 x 40W 1200mm (4ft)	OT612/240DF/S	OT612	DF612	—	GTS240Y
600 x 1200	2 x 40W 1200mm (4ft)	OT612/240PC/S	OT612	—	PC612	GTS240Y
600 x 1200	3 x 40W 1200mm (4ft)	OT612/340DF/S	OT612	DF612	—	GTS140 GTS240W
600 x 1200	3 x 40W 1200mm (4ft)	OT612/340PC/S	OT612	—	PC612	GTS140 GTS240W
600 x 1200	4 x 40W 1200mm (4ft)	OT612/440DF/S	OT612	DF612	—	GTS240Y GTS240W
600 x 1200	4 x 40W 1200mm (4ft)	OT612/440PC/S	OT612	—	PC612	GTS240Y GTS240W
600 x 1800	2 x 65W 1500mm (5ft)	OT618/265DF/S	OT618	DF618	—	GTS265Y
600 x 1800	2 x 65W 1500mm (5ft)	OT618/265PC/S	OT618	—	PC618	GTS265Y
600 x 1800	3 x 65W 1500mm (5ft)	OT618/365DF/S	OT618	DF618	—	GTS165 GTS265W
600 x 1800	3 x 65W 1500mm (5ft)	OT618/365PC/S	OT618	—	PC618	GTS165 GTS265W
600 x 1800	4 x 65W 1500mm (5ft)	OT618/465DF/S	OT618	DF618	—	GTS265Y GTS265W
600 x 1800	4 x 65W 1500mm (5ft)	OT618/465PC/S	OT618	—	PC618	GTS265Y GTS265W
600 x 1800	2 x 85W 1800mm (6ft)	OT618/285DF	OT618	DF618	—	GT285Y
600 x 1800	2 x 85W 1800mm (6ft)	OT618/285PC	OT618	—	PC618	GT285Y
600 x 1800	3 x 85W 1800mm (6ft)	OT618/385DF	OT618	DF618	—	GT185 GT285W
600 x 1800	3 x 85W 1800mm (6ft)	OT618/385PC	OT618	—	PC618	GT185 GT285W
600 x 1800	4 x 85W 1800mm (6ft)	OT618/485DF	OT618	DF618	—	GT285Y GT285W
600 x 1800	4 x 85W 1800mm (6ft)	OT618/485PC	OT618	—	PC618	GT285Y GT285W

Lamps should be ordered separately.

Notes: Gear tray types GTS165 and GTS265 Y/W each contain a suspension kit and end cap blanking piece for use with 1500mm lamps. These lamps are supported by spring clips that fit into holes provided in the housing. Full details are given in the Customer Information Service leaflet supplied with the gear tray.

Accessories

Cat. No.	Description	Packing quantity
SP1	Suspension Plate sets for use with 20mm conduit or 6mm ($\frac{1}{4}$ ") rod suspension.	Set of four
BS1	Bearer Supports. Optional for suspension on ceiling grid.	Set of four
EB1 or EB2	End box for 600mm housing (not needed for 1800mm housing fitted with 1500mm lamp).	Individually packed
A1249	Spare lampholder with clip	Packed to order

Please order in the form given in the following example, in multiples of the packing quantity:

50 Philips Planner luminaires with prismatic controllers OT618/485PC
50 Philips Extension Box for 600mm housings EB2
50 Philips suspension plate sets SP1

Complete luminaires are supplied individually packed, and diffusers and controllers are supplied packed two per carton.

Gear trays are packed separately and individually. Ordering codes for complete luminaires are sufficient to obtain all required components excepting accessories which should be ordered separately.

Made in Great Britain.

(Provisional Information)**PLANNER
LUMINAIRES
Photometric Data**

Photometric data applicable to all luminaires in the Planner range, taken both with opal diffusers and prismatic controllers.

RANGE

Five sets of photometric information are included, for luminaires with one, two, three or four lamps, and with either opal diffusers or prismatic controllers.

The information is applicable to the following luminaires:-

- FT 300mm Planner (1L and 2L versions)
- FT 600mm Planner (2L, 3L and 4L versions)
- FT 2ft Planner (2L, 3L and 4L versions)
- OT 600mm Planner (2L, 3L and 4L versions)
- LT 600mm Planner (2L, 3L and 4L versions)
- ET 600mm Planner (2L and 3L versions)
- CT 600mm Planner (2L, 3L and 4L versions)

Technical data on the Planner range is contained in the following Data Sheets:-

- FT 300mm Planner - PL 1735
- FT 600mm Planner - PL 1739
- FT 2ft Planner - PL 1736
- OT Planner - PL 1737
- LT Planner - PL 1797
- ET Planner - PL 1712
- CT Planner - PL 1738

Both the 300mm FT Planner and the ET Planner luminaires are available in WideSpread form, fitted with Linsomatic prismatic controllers which spread the light over a wide area. This gives the possibility of effecting economies by extending the spacing between luminaires.

Technical and photometric information on the WideSpread FT Planner is contained in Data Sheet PL 1727, and on the WideSpread ET Planner in Data Sheet PL 1728.

Handbook Ref

1.2.4/8

To reorder this Data Sheet quote

6.78 PL 1803/1

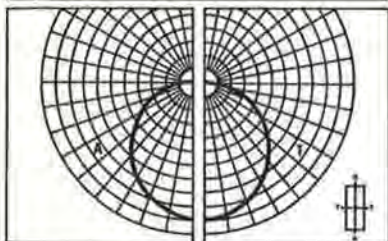
Replaces

PL 1803

PHOTOMETRIC DATA**FT 300mm Planner—one lamp with opal diffuser**

with OPAL DISH DIFFUSER (300mm wide)

Mounting: CEILING



	Nom. Lgth. (m)	Lum. Area (cm ²)
L.O.R. 52%	0.6	—
BZ 4	1.2	—
UFF 1%	1.5	—
DFF 99%	1.8	4360
S/H 1.5	2.4	—

Utilization Factors UF (F)

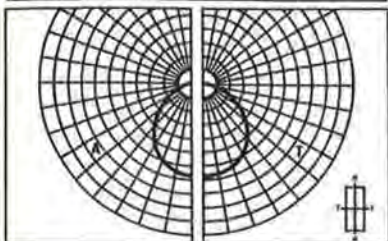
Room Reflectances			Room Index								
C	W	F	0.75	1.0	1.25	1.5	2.0	2.5	3.0	4.0	5.0
70	50	10	30	34	37	39	42	45	46	48	49
	30		27	31	34	36	40	42	44	46	48
	10		24	28	31	34	38	40	42	45	46
50	50	10	30	33	36	38	41	43	45	47	48
	30		27	30	33	36	39	41	43	45	47
	10		24	28	31	33	37	40	42	44	46
30	30	10	26	30	33	35	38	41	43	45	46
	10		24	28	31	33	37	39	41	43	45
0	0	0									

FOR TWO LAMP MULTIPLY L.O.R. AND UF(F) BY 0.94

FT 300mm Planner—two lamp with prismatic controller

with PRISMATIC CONTROLLER (300mm wide)

Mounting: CEILING



	Nom. Lgth. (m)	Lum. Area (cm ²)
L.O.R. 57%	0.6	—
BZ 3(2)4	1.2	—
UFF 1%	1.5	—
DFF 99%	1.8	4350
S/H 1.25	2.4	—

Utilization Factors UF (F)

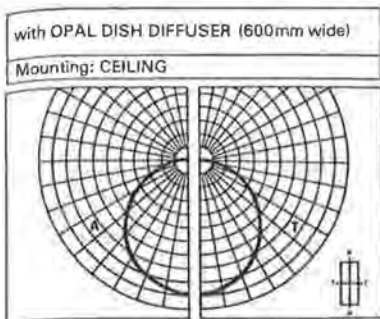
Room Reflectances			Room Index								
C	W	F	0.75	1.0	1.25	1.5	2.0	2.5	3.0	4.0	5.0
70	50	10	37	41	44	47	48	51	52	55	56
	30		34	38	41	44	46	48	50	53	54
	10		31	35	39	41	43	46	48	51	53
50	50	10	36	40	44	46	47	50	51	53	54
	30		33	37	41	43	45	47	50	52	53
	10		31	35	39	41	43	45	48	51	52
30	30	10	33	37	40	43	44	46	48	50	52
	10		31	35	38	41	43	45	47	49	50
0	0	0									

FOR SINGLE LAMP MULTIPLY L.O.R. AND UF(F) BY 1.05

Photometric data is provisional and due to be replaced

PHOTOMETRIC DATA contd.

FT 600mm & 2ft, OT, LT & ET 600mm Planner—two lamp with opal diffuser



Utilization Factors UF (F)

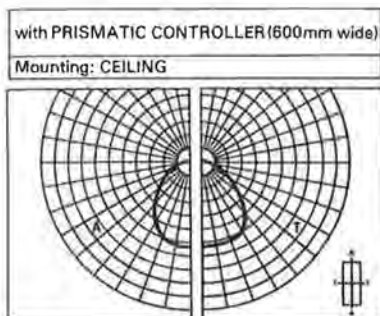
Room Reflectances			Room Index								
C	W	F	0.75	1.0	1.25	1.5	2.0	2.5	3.0	4.0	5.0
70	50	10	34	38	41	44	47	49	51	54	56
	30		31	35	38	41	44	47	49	51	54
	10		28	32	36	38	42	45	47	50	51
50	50	10	34	37	41	43	46	48	50	52	53
	30		31	34	38	40	44	46	48	50	52
	10		28	32	35	38	42	44	47	49	51
30	30	10	30	34	37	40	43	45	47	49	51
	10		28	32	35	38	41	44	46	48	50
	0	0	0								

FOR THREE LAMP MULTIPLY L.O.R. AND UF(F) BY 0.97

FOR FOUR LAMP MULTIPLY L.O.R. AND UF(F) BY 0.91

	Nom. Lgth. (m)	Lum. Area (cm ²)
L.O.R. 55%	0.6	3000
BZ 4	1.2	6300
UFF 1%	1.5	—
DFP 99%	1.8	9550
S/H 1.5	2.4	—

FT 600mm Planner & 2ft, OT, LT & ET 600mm Planner—two lamp with prismatic controller



Utilization Factors UF (F)

Room Reflectances			Room Index								
C	W	F	0.75	1.0	1.25	1.5	2.0	2.5	3.0	4.0	5.0
70	50	10	38	41	45	47	50	54	56	58	59
	30		34	38	42	44	48	50	52	56	57
	10		32	36	40	42	46	49	50	54	56
50	50	10	37	41	44	46	49	52	54	56	58
	30		34	39	42	44	47	50	51	55	56
	10		32	35	39	42	45	48	50	52	55
30	30	10	34	37	41	43	47	49	50	53	56
	10		32	35	39	41	45	48	49	51	54
	0	0	0								

FOR THREE LAMP MULTIPLY L.O.R. AND UF(F) BY 0.95

FOR FOUR LAMP MULTIPLY L.O.R. AND UF(F) BY 0.90

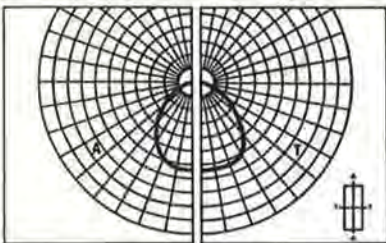
	Nom. Lgth. (m)	Lum. Area (cm ²)
L.O.R. 57%	0.6	3000
BZ 3	1.2	6300
UFF 1%	1.5	—
DFP 99%	1.8	9550
S/H 1.25	2.4	—

PHOTOMETRIC DATA (contd.)

CT 600mm Planner—two lamp with prismatic controller

with PRISMATIC CONTROLLER (600mm wide)

Mounting: CEILING



	Nom. Lgth. (m)	Lum. Area (cm ²)
L.O.R. 59%	0.6	3600
BZ 3	1.2	7200
UFF 2%	1.5	—
DFP 98%	1.8	10800
S/H 1.25	2.4	—

Utilization Factors UF (F)

Room Reflectances			Room Index								
C	W	F	0.75	1.0	1.25	1.5	2.0	2.5	3.0	4.0	5.0
70	50	10	38	43	46	49	52	55	56	58	59
	30		35	39	43	46	50	52	54	56	58
	10		32	37	40	43	45	50	52	55	56
50	50	10	38	42	45	48	51	53	54	56	57
	30		35	39	42	45	49	51	53	55	57
	10		32	36	40	43	47	49	51	54	55
30	30	10	34	38	41	44	47	50	51	54	56
	10		32	36	39	42	46	48	50	53	54
0	0	0									

FOR THREE LAMP MULTIPLY L.O.R. AND UF(F) BY 0.95

FOR FOUR LAMP MULTIPLY L.O.R. AND UF(F) BY 0.90

Photometric data is provisional and due to be replaced

CT PLANNER

600mm wide metric

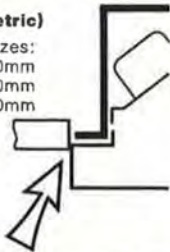


CT612/440CPC/S

recessed modular luminaire with concealed trim

CT Series (Metric)

for hole sizes:
600mm x 600mm
600mm x 1200mm
600mm x 1800mm



Recessed modular luminaire to suit metric-dimension suspended ceilings. The trim is concealed, and the prismatic-based controller hides constructional parts in modular-construction ceilings with 600mm module apertures.

RANGE

600mm x 600mm body size: Two or four lampways, switchstart circuits with 20W 600mm lamps.

600mm x 1200mm body size: Two, three or four lampways, switchstart circuits with 40W 1200mm lamps.

600mm x 1800mm body size: Two, three or four lampways, switchstart circuits with 65W 1500mm lamps or starterless circuits with 85W 1800mm lamps.

APPLICATIONS

For 600mm module suspended ceiling systems used in situations such as:

- Shops and department stores
- Offices
- Municipal buildings
- Hospitals
- Restaurants and hotels
- Cinema and theatre foyers
- Banking halls

Handbook Ref.

1.23/9

To reorder this data sheet quote

7.77 PL 1738

Replaces

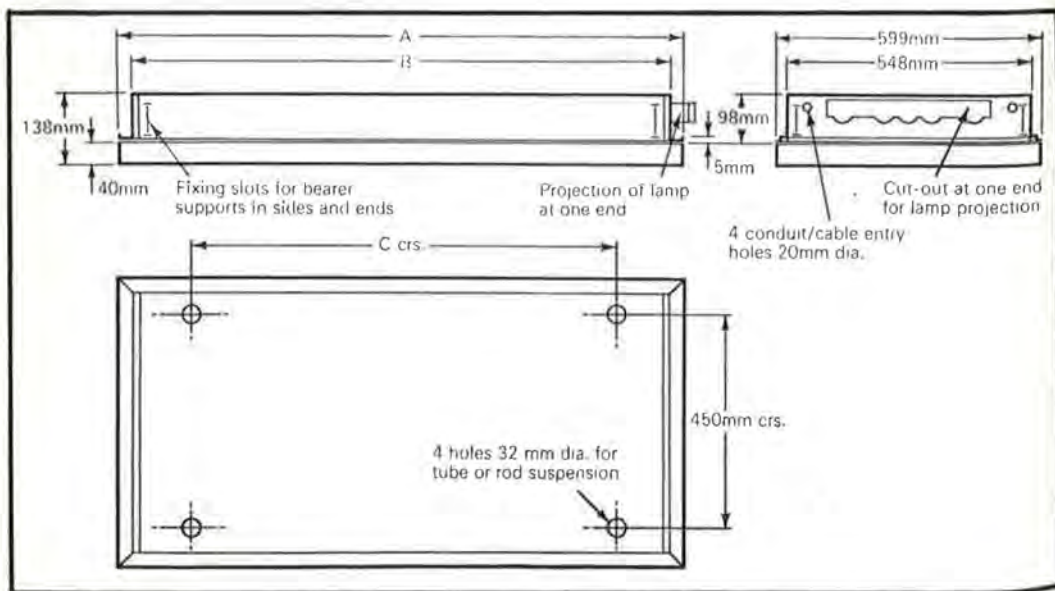
PLL 9328.23/1

FEATURES

- Fits flush into ceiling apertures, the prismatic-based controller concealing the trim and completely obscuring the ceiling aperture.
- Low-loss control gear for reduced energy consumption.
- Separate gear trays for each circuit; each gear tray has its own fuse and terminal block.
- Separate circuits for inner and outer lamps on three- and four-lamp luminaires permits independent switching for choice of lighting levels.
- One-piece prismatic controller hinges down on one side to simplify lamp changing.

- Prismatic controller is a one-piece fabrication with a clear prismatic base and opal sides to control the downward spread of light and reduce sideways glare.
- Easily mounted from structural ceiling using 20mm (3/4 in.) conduit tubes or 6mm (1/4 in.) drop rods onto optional suspension plates, or can be directly mounted onto suspended ceiling grids of adequate strength by means of four optional bearer arms.

- Optional suspension plates or bearer supports are available for suspending the luminaires from the main ceiling structure or mounting them directly on suspended ceiling grids of adequate strength.
- Low installed depth for use with shallow ceiling voids.
- Optional sheet metal box to protect ends of lamps projecting above suspended ceilings.



NOTE:- 10mm clearance is required between the top of the luminaire and the structural ceiling to allow room for manoeuvring the luminaire into position.

DIMENSIONS & WEIGHTS

Nominal size (mm)	Rating	Weight complete with lamps (kg/lb)	Dimensions (mm)		
			A	B	C
600 x 600	2 x 20W 600mm (2ft)	7.9/17.4	599	546	450
600 x 600	4 x 20W 600mm (4ft)	9.8/21.6			
600 x 1200	2 x 40W 1200mm (4ft)	14.0/30.8	1199	1146	900
600 x 1200	3 x 40W 1200mm (4ft)	16.4/36.1			
600 x 1200	4 x 40W 1200mm (4ft)	16.4/36.1			
600 x 1800	2 x 65W 1500mm (5ft)	20.8/45.3	1799	1746	1350
600 x 1800	3 x 65W 1500mm (5ft)	24.0/52.8			
600 x 1800	4 x 65W 1500mm (5ft)	26.0/57.2			
600 x 1800	2 x 85W 1800mm (6ft)	20.6/45.3			
600 x 1800	3 x 85W 1800mm (6ft)	24.0/52.8			
600 x 1800	4 x 85W 1800mm (6ft)	26.0/57.2			

MATERIALS & FINISH

Body (housing): Sheet steel, Durawhite stoved finish.

Control gear tray: Sheet steel, Durawhite stoved finish, with low-loss control gear for inner and outer lamps.

Lampholders: White urea mouldings.

Suspension plates and bearer supports: Steel, galvanised finish.

Controller: Clear polystyrene prismatic sheet welded to opal edgings, with plated hinge clips.

RANGE OF OPERATION

240V 50 Hz. Normal indoor conditions.

SPECIFICATION

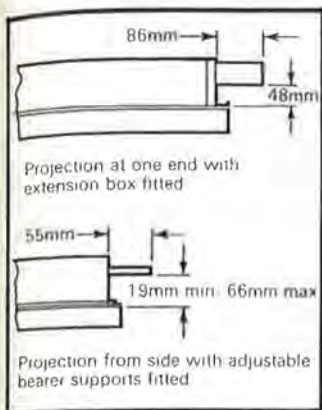
■ Type compliance with BS 4533 2.2 Ordinary Indoor Class I.

To specify state:

■ Modular recessed luminaires with Durawhite stoved finish and bearing gear trays with individual terminal blocks and fuses; substantially as Philips Planner.

PHOTOMETRIC DATA

Photometric data for two-, three- and four-lamp versions of the CT Planner, with prismatic controllers or opal diffusers, is contained in a separate Photometric Data Sheet PL 1803.



ELECTRICAL DATA

Gear tray Catalogue No.	Circuit	Circuit Watts per gear tray	Circuit current (Amperes)	Ballast Cat. No.	Capacitor (mfd)	Starter Cat. No.
GTS220Y (inner lamps)	2 x 20W switchstart	52	0.23	BCS40	3-5 10% 250V	2 x S2
GTS220W (outer lamps)	2 x 20W switchstart	52	0.23	BCS40	3-5 10% 250V	2 x S2
GTS240Y (inner lamps)	2 x 40W switchstart	104	0.46	2 x BCS40	2 x 3-5 10% 250V	2 x S10
GTS240W (outer lamps)	2 x 40W switchstart	104	0.46	2 x BCS40	2 x 3-5 10% 250V	2 x S10
GTS265Y (inner lamps)	2 x 65W switchstart	154	0.68	2 x BCS65	2 x 5-5 10% 250V	2 x S10
GTS265W (outer lamps)	2 x 65W switchstart	154	0.68	2 x BCS65	2 x 5-5 10% 250V	2 x S10
GT185	1 x 85W starterless	96	0.46	BBXK85	8-4 5% 440V	—
GT285Y (inner lamps)	2 x 85W starterless	192	0.92	2 x BBXK85	2 x 8-4 5% 440V	—
GT285W (outer lamps)	2 x 85W starterless	192	0.92	2 x BBXK85	2 x 8-4 5% 440V	—
GTS140	1 x 40W switchstart	52	0.23	BCS40	3-5 10% 250V	S10
GTS165	1 x 65W switchstart	77	0.34	BCS65	5-0 10% 250V	S10

All information quoted relates to average luminaires on a 240V 50Hz supply at 25°C.

Where two gear trays are used per luminaire, the individual Wattage and current should be added to give total figure.

On a balanced 3-phase 4-wire supply, the current in the neutral conductor does not exceed 3 x 25% of that in any line conductor.

ORDERING DATA

Nominal size (mm)	Rating	Catalogue No. (complete luminaire)	Housing	Component parts		
				Prismatic controller	Gear tray	
600 x 600	2 x 20W 600mm (2ft)	CT66/220CPC/S	CT66	CPC66	GTS220Y	
600 x 600	4 x 20W 600mm (2ft)	CT66/420CPC/S	CT66	CPC66	GTS220Y	GTS220W
600 x 1200	2 x 40W 1200mm (4ft)	CT612/240CPC/S	CT612	CPC612	GTS240Y	
600 x 1200	3 x 40W 1200mm (4ft)	CT612/340CPC/S	CT612	CPC612	GTS140	GTS240W
600 x 1200	4 x 40W 1200mm (4ft)	CT612/440CPC/S	CT612	CPC612	GTS240Y	GTS240W
600 x 1800	2 x 65W 1500mm (5ft)	CT618/265CPC/S	CT618	CPC618	GTS265Y	
600 x 1800	3 x 65W 1500mm (5ft)	CT618/365CPC/S	CT618	CPC618	GTS165	GTS265W
600 x 1800	4 x 65W 1500mm (5ft)	CT618/465CPC/S	CT618	CPC618	GTS265Y	GTS265W
600 x 1800	2 x 85W 1800mm (6ft)	CT618/285CPC	CT618	CPC618	GT285Y	
600 x 1800	3 x 85W 1800mm (6ft)	CT618/385CPC	CT618	CPC618	GT185	GT285W
600 x 1800	4 x 85W 1800mm (6ft)	CT618/485CPC	CT618	CPC618	GT285Y	GT285W

Lamps should be ordered separately.

Please order in the form given in the following example, in multiples of the packing quantity:

50 Philips Planner luminaires complete with controllers CT618/485CPC
 50 Philips Extension Box for 600mm housings EB2
 50 Philips Suspension Plate sets SP1

Accessories

Cal. No.	Description	Packing quantity
SP1	Suspension Plate sets for use with 20mm conduit or 6mm ($\frac{1}{4}$ ") rod suspension	Set of four
BS1	Bearer Supports. Optional for suspension on ceiling grid	Set of four
EB2	End box for 600mm housing (not needed for 1800mm housing fitted with 1500mm lamps)	Individually packed
A1249	Spare lampholder with clip	Packed to order

Complete luminaires are supplied individually packed, and prismatic controllers are supplied packed two per carton.

Gear trays are packed separately and individually. Ordering codes for complete luminaires are sufficient to obtain all required components excepting accessories which should be ordered separately.

Notes:-

Gear tray types GTS165 and GTS265 Y/W each contain a suspension kit and end cap blanking piece for use with 1500mm lamps. These lamps are supported by spring clips that fit into holes provided in the housing. Full details are given in the Customer Information Service leaflet supplied with the gear tray.

Made in Great Britain.

CI/SIB
(63.1)

UDC

696.6:628.972

2

ET PLANNER

ET LAY-IN PLANNER

Recessed luminaire for fluorescent lamps

The ET Planner is for use with exposed-tee suspended ceiling systems of adequate strength. It retains all the important benefits of the LT Planner, which it supersedes, and is faster and easier to erect.

RANGE

Switchstart-

600 x 600mm 4 lamp 20W 600mm (2ft)
1200 x 600mm 4 lamp 40W 1200mm (4ft)

Starterless-

1800 x 600mm 3 lamp 85W 1800mm (6ft)
1800 x 600mm 4 lamp 85W 1800mm (6ft)

Also opal diffusers and prismatic controllers, including the WideSpread Linsomatic TLEPC612 prismatic controller (see Data Sheets PL 1724 to 1728 inclusive).

APPLICATIONS

Suitable for use in commercial premises with exposed-tee ceilings, and certain coffered ceilings in:

- Offices
- Shops and department stores
- Banking halls
- Showrooms
- Assembly and Lecture areas

Handbook Ref.

1.2.4/10

To reorder this Data Sheet quote

PL 1712/1

Replaces

PL 1712

FLUORESCENT LUMINAIRE

FEATURES

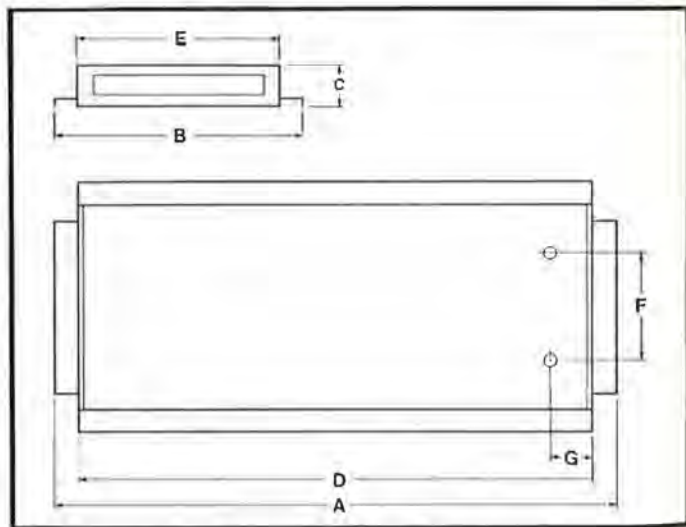
- The body of the luminaire rests on the suspended ceiling structure – fixing is easy and costs of installation reduced.
- Luminaires can be fixed after the ceiling is erected to suit the layout of the floor area.
- Luminaires run in the same direction as the main tee-bar supports. All sizes of luminaires can be fixed without cutting into the main supports. Luminaires can be repositioned if the floor arrangement alters.
- The body is supported along its full length, giving built-in security.
- Inner and outer lamps are wired as separate circuits, giving the facility for changing light levels.
- Tear-outs are provided in the side flanges to clear the support straps of certain Coffered ceilings.
- Anti-lift brackets give extra security to 1800mm (6ft) panels.
- Diffusers or controllers are installed from beneath and simply rest on the tee-bar flats. Spring catches position them securely in the apertures, and permit panels to be hinged downwards for lamp changing.

In addition, the combination of the 4 lamp 40W 1200 x 600mm ET Planner and the WideSpread Linsomatic prismatic controller permits wider spacing between luminaires, giving economic, aesthetic and lighting benefits (see Data Sheet PL 1728).

MATERIALS & FINISH

- Body:** 1.2 mm sheet steel, Durawhite stoved finish.
- Diffuser:** Opal polystyrene with plated locating clips and hinges.
- Prismatic controller:** Clear polystyrene with plated locating clips and hinges.
- Linsomatic controller:** Clear polystyrene sheet, with prisms moulded during manufacture, and plated locating clips and hinges.

For exposed tee ceilings of "tee" height not less than 38mm in both directions and of tee face width of 24/25mm.



SPECIFICATION

BS 4533 2.2 Ordinary Indoor Recessed Class I.

To specify state:

Lay-in luminaire for exposed-tee ceilings, with 'tear outs' in flanges for use with coffered ceilings, substantially as Philips ET Planner.

RANGE OF OPERATION

240V 50Hz
Normal indoor conditions.

DIMENSIONS

Rating	Dimensions (mm/in.)						
	A	B	C	D	E	F	G
4 x 20W 600mm (2ft)	672/26.46	620/24.41	76/3.0	573/22.56	558/21.97	280/11.02	78/3.07
4 x 40W 1200mm (4ft)	1272/50.08	620/24.41	76/3.0	1173/46.18	558/21.97	280/11.02	140/5.51
3 x 85W 1800mm (6ft)	1872/73.70	620/24.41	76/3.0	1773/69.80	558/21.97	280/11.02	140/5.51
4 x 85W 1800mm (6ft)	1872/73.70	620/24.41	76/3.0	1773/69.80	558/21.97	280/11.02	140/5.51

Note:—Centralising tags on the side flanges of luminaire bodies are arranged to locate on the main tee-bars of ceilings with 600mm module.
Minimum ceiling clearance: 135mm.

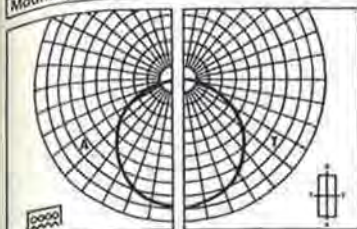
WEIGHTS & ELECTRICAL DATA

Luminaire only	Catalogue Nos. Diffuser/ controller only	Circuit	Description	Weight complete with lamps (kg/lb)	Circuit Watts (running)	Circuit Current (Amperes)
ET66/420S	EPC66	Switchstart	4 x 20W 600mm (2ft), prismatic controller	8.4/18.5	100	0.5
ET66/420S	EDF66	Switchstart	4 x 20W 600mm (2ft), opal diffuser	8.4/18.5	100	0.5
ET612/440S	EPC612	Switchstart	4 x 40W 1200mm (4ft), prismatic controller	15.5/34.1	200	1.0
ET612/440S	EDF612	Switchstart	4 x 40W 1200mm (4ft), opal diffuser	15.5/34.1	200	1.0
ET612/440S	TLEPC612	Switchstart	4 x 40W 1200mm (4ft), WideSpread Linsomatic prismatic controller	15.5/34.1	200	1.0
ET618/385X	EPC618	Starterless	3 x 85W 1800mm (6ft), prismatic controller	22.2/48.9	288	1.4
ET618/385X	EDF618	Starterless	3 x 85W 1800mm (6ft), opal diffuser	22.2/48.9	288	1.4
ET618/485X	EPC618	Starterless	4 x 85W 1800mm (6ft), prismatic controller	23.8/52.4	384	1.9
ET618/485X	EDF618	Starterless	4 x 85W 1800mm (6ft), opal diffuser	23.8/52.4	384	1.9

PHOTOMETRIC DATA

E.T.PLANNER 4X40W OPAL

Mounting: CEILING



CIE Flux Number 223745

SHR MAX	(Square)	1.60
SHR MAX TR	(Transverse)	1.78

ULORL	.00	Multiply by each Service Correction Factor
DLORL	.47	
LORL	.47	

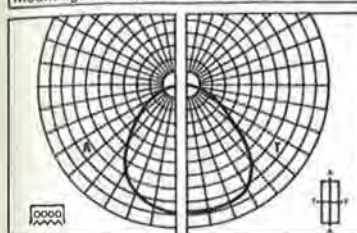
Glare Data (IES)

Flux Fraction Ratio	0
ACG Classification	ACG2
For RI = 2.5 at SHR = NOM	BZ4
Luminous Area (sq cm)	
40W	
6036	

Measured:	BS 5225 Part 1 1975
Calculated:	I.E.S. TR 2 and TR 10
Test No:	A734
Dated:	77.04.06

E.T.PLANNER 4X40W PRISMATIC

Mounting: CEILING



CIE Flux Number 314752

SHR MAX	(Square)	1.64
SHR MAX TR	(Transverse)	1.86

ULORL	.00	Multiply by each Service Correction Factor
DLORL	.53	
LORL	.53	

Glare Data (IES)

Flux Fraction Ratio	0
ACG Classification	ACG3
For RI = 2.5 at SHR = NOM	BZ3
Luminous Area (sq cm)	
40W	
6036	

Measured:	BS 5225 Part 1 1975
Calculated:	I.E.S. TR 2 and TR 10
Test No:	A733
Dated:	77.04.06

Photoset direct from Photometer tape output.

Service Correction Factors

		40W 1200 mm			
Rating Factor		1.00			
Amalgam Factor		1.15			
Ballast Lumen Factor SS		1.00			
Ballast Lumen Factor XS		0.95			

Utilization Factors UF (F)

Room Reflectances			Room Index								
C	W	F	0.75	1.0	1.25	1.5	2.0	2.5	3.0	4.0	5.0
70	50	10	27	31	34	36	39	41	42	44	45
	30		24	27	31	33	37	39	40	42	44
	10		22	25	29	31	35	37	39	41	43
50	50	10	27	30	33	35	38	40	41	43	44
	30		24	27	30	33	36	38	40	42	43
	10		22	25	28	31	34	37	38	40	42
30	50	10	26	29	32	34	37	39	40	42	43
	30		24	27	30	32	35	37	39	41	43
	10		22	25	28	31	34	36	38	40	42
0	0	0	21	24	27	29	33	35	37	39	41

Multiply by each Service Correction Factor

Service Correction Factors

		40W 1200 mm			
Rating Factor		1.00			
Amalgam Factor		1.15			
Ballast Lumen Factor SS		1.00			
Ballast Lumen Factor XS		0.95			

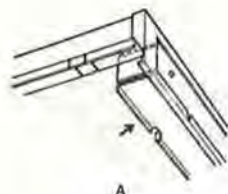
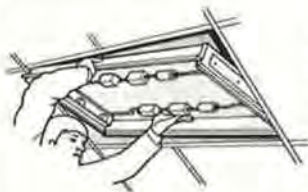
Utilization Factors UF (F)

Room Reflectances			Room Index								
C	W	F	0.75	1.0	1.25	1.5	2.0	2.5	3.0	4.0	5.0
70	50	10	35	39	42	44	47	48	50	51	53
	30		32	36	39	41	45	47	48	50	51
	10		30	34	37	40	43	45	47	49	50
50	50	10	35	38	41	43	46	47	49	50	51
	30		32	35	39	41	44	46	47	49	51
	10		30	33	37	39	42	44	46	48	50
30	50	10	34	37	40	42	45	47	48	49	50
	30		32	35	38	40	43	45	46	48	50
	10		30	33	37	39	42	44	45	47	49
0	0	0	29	32	36	38	41	43	44	46	48

Multiply by each Service Correction Factor

Approximate Data can be taken from the above table for 600mm and 1800mm versions

SIMPLE INSTALLATION



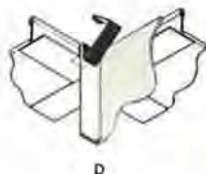
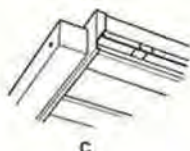
A. The luminaire, supplied with the lampholder boxes collapsed into the body, is offered into the ceiling aperture. When the side flanges are properly located on the main tee-bars, the lampholder boxes are pushed outwards into the working position.

B. End view of an installed luminaire, showing how the side flanges engage with the main tee-bar ceiling supports. The controller panel can be seen resting on the tee-bar flats.

C. Detail of a luminaire, showing a side flange and a lampholder box in the operating position.

D. The controller panel is hung vertically on the cross-tee flats on the ends of the two spring clips.

E. The panel is swung into the horizontal position and is pressed forwards against the spring clips by means of the lock tabs until the lip of the panel clears the cross-tee. The panel is therefore firmly secured by the lock tabs against spring pressure from the clips.



INSTALLER'S IMPORTANT NOTE

Ceiling opening sizes are critical to satisfactory fitting of the controller. It is essential to ensure that the nett ceiling opening sizes for the luminaires are not GREATER than 600 x 600 nom: 576 x 576 mm, 1200 x 600 nom: 1176 x 576 mm, 1800 x 600 nom: 1776 x 576 mm.

ORDERING DETAILS

Cat. No.	Description	Packing Quantities
ET66/420S	Body c/w 4 Lamp 20W Gear S/S	600 x 600 mm 1
ET612/440S	Body c/w 4 Lamp 40W Gear S/S	1200 x 600 mm 1
ET618/385X	Body c/w 3 Lamp 85W XS	1800 x 600 mm 1
ET618/485X	Body c/w 4 Lamp 85W XS	1800 x 600 mm 1
EPC66	600 x 600 Prismatic Controller	2
EDF66	Opal Diffuser	2
EPC612	1200 x 600 Prismatic Controller	2
EDF612	Opal diffuser	2
TLEPC612	1200 x 600 WideSpread Linsomatic Controller	2
EPC618	1800 x 600 Prismatic Controller	2
EDF618	Opal diffuser	2

Please order in the form given in the following example, in multiples of the packing quantity:-

50 Philips luminaires ET612/440S

50 Philips Opal diffusers EDF/612

Notes: 1. Luminaire body and diffuser should be ordered separately; one complete luminaire requires two order codes.

2. Luminaire bodies are supplied complete with gear fixed in position.

Lamps should be ordered separately

Luminaires: Made in Great Britain.
Controllers/diffusers: Made in Great Britain and West Germany.

C/S/SIB
(63.1)UDC
696.6:628.972

2

WIDESPREAD FINESSE A 7950 TLP

with Linsomatic Controller

WideSpread: a family of high technology luminaires with widespread intensity distribution, offering greater economy and better visual conditions.

Prismatic controller for Finesse battens

A frame attachment based on the standard Finesse aluminium frame, fitted with the Linsomatic prismatic controller. The attachment fits the standard Finesse battens.

RANGE

Aluminium frame attachments are available in self-finish, to fit two-lamp 65W 1500mm (5ft) Finesse battens.

APPLICATIONS

Suitable for most modern prestige installations such as:-

- Offices
- Shops and department stores
- Banking halls

Although bold in appearance to suit spacious premises such as banks, the luminaires are shallow, making them also suitable for modern premises with low ceilings.



Handbook Ref.

1.2.5/1

To reorder this Data Sheet qu je 10,79 PL 1724/1

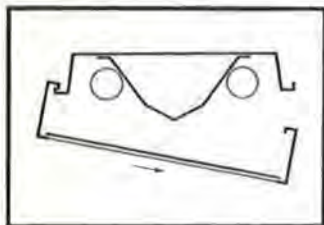
Replaces

PL 1724

FEATURES

Luminaires fitted with Linsomatic prismatic controllers provide all the advantages of the standard Finesse range, such as :-

- Shallow depth – 89mm – provides a suitable alternative to a recessed luminaire.
- Easy to install and maintain, thus saving money.
- Sheet metal reflector conceals control gear, fixing holes and wiring.
- Side returns on batten body marry with returned edges on controller to give support along the full length of the luminaire.
- Although positively held, the controller is easily disengaged by lifting and tilting the controller, and moving it bodily towards the body of the luminaire. The opposite edge then clears the body, and the controller hinges down to permit hands-free lamp changing.



■ In addition, the Linsomatic prismatic controller permits wider spacing between luminaires, giving economic, aesthetic and lighting benefits (see leaflet PL 1608).

Luminaire: Made in Great Britain and West Germany.

SPECIFICATION

Type compliance with BS 4533 2.2 Ordinary Indoor Class I.

To specify state:

Surface luminaire with two 65W 1500mm lamps, with prismatic controller, suitable for a spacing/height ratio (transverse) of up to 2:3 and to have **widespread** light distribution, similar to Philips WideSpread Linsomatic Series A7950TLP

MATERIALS & FINISH

Ballen: Sheet steel body, Durawhite stoved finish, with light grey medium-impact polystyrene end trims.

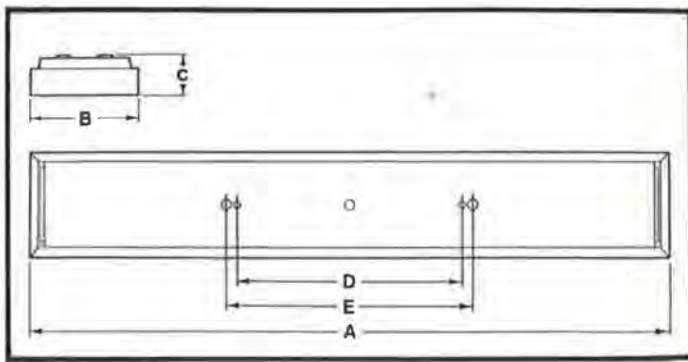
Frames: Extruded aluminium, polished and anodised self-finish.

Controller: Linsomatic prismatic polystyrene sheet, with linear and transverse prisms.

RANGE OF OPERATION

240V 50Hz.

Normal indoor conditions.



DIMENSIONS & WEIGHT

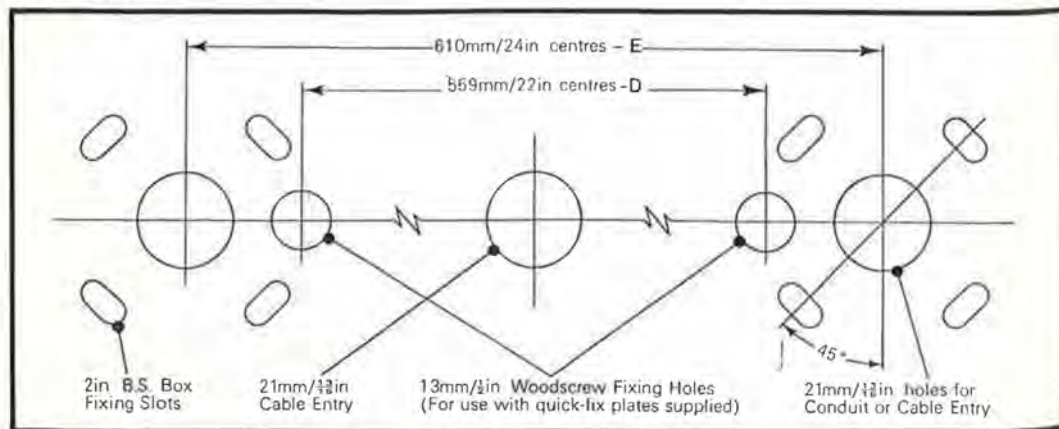
Catalogue No.		Weight complete with lamps (kg/lb)	Overall length A	Overall width B	Overall depth C
Batten only	Prismatic controller only				
A1705S	A7950TLP	11.8/26.0	1592mm	269mm	89mm

Rating 2 x 65W 1500mm (5ft) switchstart.

ELECTRICAL DATA

Batten Cat. No.	Rating	Ballast	Catalogue Nos. Capacitor	Circuit Watts (running)	Circuit Current (amperes)
A1705S	2 x 65W 1500mm(5ft) switch start	2 x BCS 65	2 x 5 mfd 10% 250V	154	0.68

FIXING CENTRES

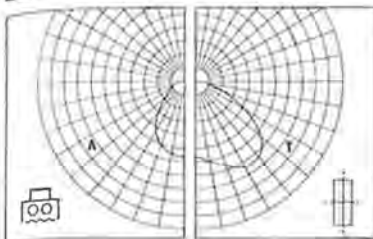


PHOTOMETRIC DATA

FINESSE WIDE SPREAD

TWO LAMP WITH TLP CONTROLLER
IN DELUXE FRAME A7950 TLP

Mounting: CEILING



CIE Flux Number

233946

SHR MAX	(Square)	1.25
SHR MAX TR	(Transverse)	2.30

ULORL	.00	Multiply by each Service Correction Factor
DLORL	.49	
LORL	.49	

glare Data (IES)

Flux Fraction Ratio	0
ACG Classification	ACG6
For RI = 2.5 at SHR = NOM	B24
Luminous Area (sq cm)	
65W	
3755	

Service Correction Factors

	65W 1500mm			
Rating Factor	1.00			
Amalgam Factor	1.20			
Ballast Lumen Factor SS	0.99			
Ballast Lumen Factor XS	0.95			

Utilization Factors UF (F)

SHR NOM 1.25

Room Reflectances			Room Index								
C	W	F	0.75	1.0	1.25	1.5	2.0	2.5	3.0	4.0	5.0
70	50	10	27	31	35	37	40	42	44	46	47
	30		23	28	32	34	38	40	42	44	46
	10		21	25	29	32	36	38	40	43	44
50	50	10	26	30	34	36	39	42	43	45	46
	30		23	27	31	34	37	40	41	43	45
	10		21	25	29	31	35	38	40	42	44
30	50	10	26	30	33	35	38	41	42	44	45
	30		23	27	31	33	36	39	40	42	44
	10		21	25	29	31	35	37	39	41	43
0	0	0	20	24	28	30	34	36	38	40	42

Utilization Factors UF (F)

SHR 2.30 TR × 1.25 AX

Room Reflectances			Room Index								
C	W	F	0.75	1.0	1.25	1.5	2.0	2.5	3.0	4.0	5.0
70	50	10			37	39	42	44	45	47	48
	30				34	36	40	42	43	45	46
	10				32	34	38	40	42	44	45
50	50	10			36	38	41	43	44	46	47
	30				34	36	39	41	42	44	45
	10				32	34	37	40	41	43	45
30	50	10			35	37	40	42	43	45	46
	30				33	35	38	40	42	44	45
	10				31	34	37	39	41	43	44
0	0	0			30	33	36	38	39	41	43

Measured: BS 5225 Part 1 1975	Calculated: I.E.S. TR 2 and TR 10	Test No: A710	Dated: 77.03.23
-------------------------------	-----------------------------------	---------------	-----------------

Photoset direct from Photometer tape output.

ORDERING DATA

Catalogue Nos.	Description		Packing quantities
Batten only	Controller only	Description	
A1705S	A7950TLP	Finesse battens Linsomatic prismatic controller in self-finish aluminium frame	† †

Lamps should be ordered separately.

Please order in the form given in the following example:

50 Philips Finesse battens A1705S.
50 Philips prismatic controllers A7950TLP.

Recommended lamp types

All Philips lamps of appropriate rating may be used in this luminaire. In order to optimise the efficiency of the WideSpread design, however, it is recommended that Colour 84 lamps of the TLH type be used. These triphosphor lamps combine high light output with a high colour rendering index, and contain an amalgam to maintain efficiency at elevated temperatures.

CI/SIB
(63.1)UDC
696.6:628.972

2

WIDESPREAD FINESSE A 7925 TLP A 7926 TLP

With Linsomatic Controller

WideSpread: a family of high technology luminaires with widespread intensity distribution, offering greater economy and better visual conditions.

Prismatic controller for Finesse battens (Acrylic)

A prismatic controller which fits the Finesse A1705S/A1706X batten and permits increased spacing between rows of luminaires. The shallow luminaire is designed to be surface-mounted at low mounting heights, e.g. on modern suspended ceilings.

RANGE

2 x 65W 1500mm (5ft) switchstart
2 x 85W 1800mm (6ft) starterless

APPLICATIONS

Suitable for many commercial installations such as:-

- Offices
- Shops and department stores
- Banking halls.

Although bold in appearance to suit spacious premises such as banking halls, the luminaires are shallow, making them also suitable for modern premises with low ceilings.

FLUORESCENT LUMINAIRE

Handbook Ref

1.25/2

To reorder this Data Sheet quote 11.79. PL 1725/2

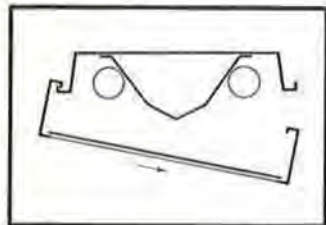
Replaces

PL 1725/1

FEATURES

The Linsomatic version provides all the advantages of the standard Finesse range, such as:-

- Shallow depth – 89mm – makes an alternative to a recessed luminaire.
- Easy to install and maintain, thus saving money.
- Fashionable appearance for new buildings and modern conversions.
- Sheet metal reflector completely conceals control gear, fixing holes and wiring.
- Side returns on batten body marry with returned edges on controller to give support along the full length of the luminaire.
- Although positively held, the controller is easily disengaged by lifting and tilting the controller, and moving it bodily towards the body of the luminaire. The opposite edge then clears the body, and the controller hinges down to permit hands-free lamp changing.



■ In addition, the Linsomatic prismatic controller permits wider spacing between luminaires, giving economic, aesthetic and lighting benefits (see leaflet PL 1608).

Luminaire: Made in Great Britain and West Germany.

SPECIFICATION

Type compliance with BS 4533 Ordinary Indoor Class I.

To specify state:

Surface luminaire for two 65W 1500mm lamps, with prismatic controller, suitable for a spacing/height ratio (transverse) of up to 2.25 and to have widespread light distribution, similar to Philips WideSpread Linsomatic TLP Acrylic Series A7925TLP.

MATERIALS & FINISH

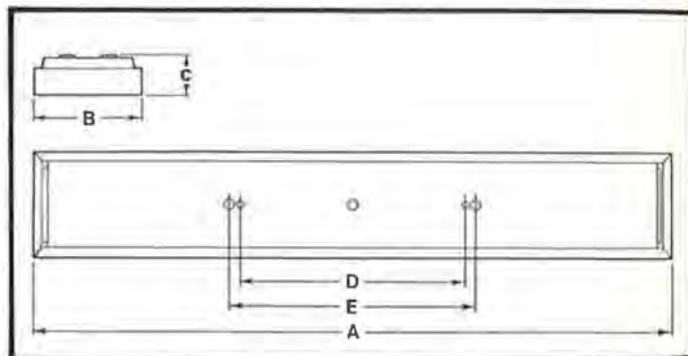
Batten: Sheet steel body, Durawhite stoved finish, with light grey medium-impact polystyrene end caps.

Controller: Linsomatic prismatic acrylic sheet; acrylic side and end panels with linear prisms.

RANGE OF OPERATION

240V 50Hz.

Normal indoor conditions.



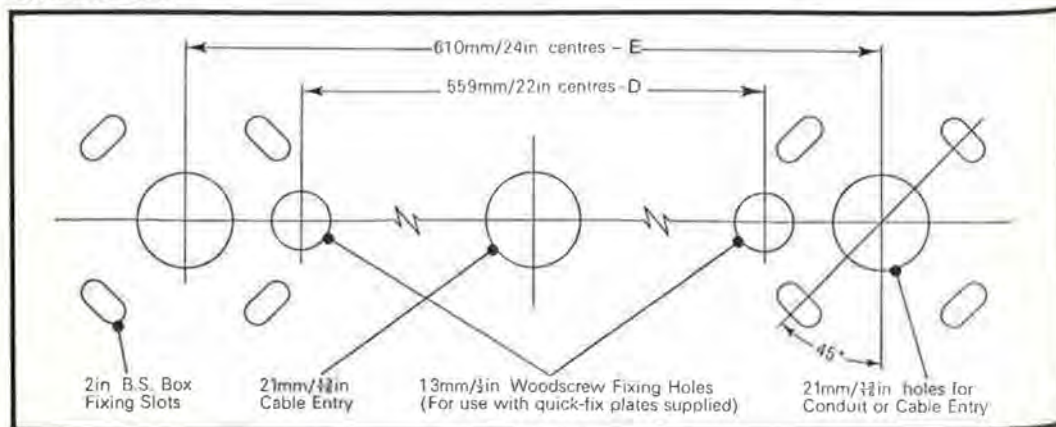
DIMENSIONS & WEIGHTS

Catalogue No. Batten only	Prismatic controller only	Weight complete with lamps (kg/lb)	Overall length A	Overall width B	Overall depth C
A1705S	A7925TLP	10.4/22.9	1580mm	258mm	90mm
A1706X	A7926TLP	—	1851mm	258mm	90mm

ELECTRICAL DATA

Batten Cat. No.	Rating	Catalogue Nos. Ballast	Capacitor	Circuit Watts (running)	Circuit Current (Amperes)
A1705S	2 x 65W 1500mm (5ft) switch start	2 x BCS65	2 x 5 mfd 10% 250V	154	0.68
A1706X	2 x 85W 1800mm (6ft) starterless	2 x BBXIC 85	2 x 8.4 mfd 5% 440V	192	0.92

FIXING CENTRES

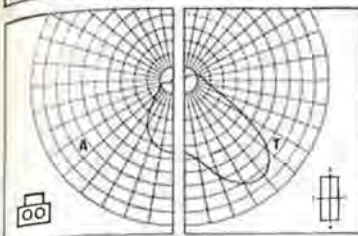


PHOTOMETRIC DATA

FINESSE WIDE SPREAD

TWO LAMP WITH TLP CONTROLLER
A7925 TLP

Mounting: CEILING



CIE Flux Number

244148

SHR MAX	(Square)	1.25
SHR MAX TR	(Transverse)	2.25

ULORL	08	Multiply by each Service Correction Factor
DLORL	50	
LORL	58	

Glare Data (IES)

Flux Fraction Ratio	.16
ACG Classification	ACG6
For RI = 2.5 at SHR = NOM	BZ5
Luminous Area (sq cm)	
65W	
4050	

Measured: BS 5225 Part 1 1975

Calculated: I.E.S. TR 2 and TR 10

Test No: A821

Dated: 77.09.06

Photoset direct from Photometer tape output.

Service Correction Factors

	65W 1500mm		
Rating Factor	1.00		
Amalgam Factor	1.13		
Ballast Lumen Factor SS	0.99		
Ballast Lumen Factor XS	0.95		

Utilization Factors UF (F)

SHR NOM 1.25

Room Reflectances			Room Index								
C	W	F	0.75	1.0	1.25	1.5	2.0	2.5	3.0	4.0	5.0
70	50	10	29	34	38	40	44	47	48	51	52
	30		25	30	34	37	41	44	46	49	50
	10		22	27	31	34	38	42	44	47	49
50	50	10	27	32	36	38	42	44	46	48	49
	30		24	28	33	35	39	42	44	46	48
	10		21	26	30	33	37	40	42	45	47
30	50	10	26	30	34	36	40	42	43	45	47
	30		23	27	31	34	37	40	42	44	46
	10		20	25	29	31	35	38	40	43	44
0	0	0	19	23	27	29	33	35	37	39	41

Utilization Factors UF (F)

SHR 2.25 TR x 1.25 AX

Room Reflectances			Room Index								
C	W	F	0.75	1.0	1.25	1.5	2.0	2.5	3.0	4.0	5.0
70	50	10	-	-	40	42	46	48	50	52	53
	30		-	-	36	39	43	45	47	50	51
	10		-	-	34	37	40	43	45	48	50
50	50	10	-	-	38	40	43	46	47	49	50
	30		-	-	35	38	41	43	45	47	49
	10		-	-	32	35	39	41	43	46	47
30	50	10	-	-	36	38	41	43	45	46	48
	30		-	-	33	36	39	41	43	45	46
	10		-	-	31	34	37	40	41	44	45
0	0	0	-	-	29	32	35	37	38	40	42

ORDERING DATA

Catalogue Nos.	Batten only	Controller only	Description	Packing quantity
A170SS		A7925TLP	Finesse battens Linsomatic prismatic controller	1 1

Lamps should be ordered separately.

Please order in the form given in the following example:

50 Philips Finesse battens A170SS.

50 Philips Linsomatic prismatic controllers A7925TLP

Recommended lamp types:

All Philips lamps of appropriate rating may be used in this luminaire. In order to optimise the efficiency of the WideSpread design, however, it is recommended that Colour 84 lamps of the TLH type be used. These triphosphor lamps combine high light output with a high colour rendering index, and contain an amalgam to maintain efficiency at elevated temperatures.

C/S/S/B
(63.1)UDC
696.6 : 628.972

2

WIDESPREAD TCS 429

Mirror Controller Luminaire

WideSpread: a family of high technology luminaires with widespread intensity distribution, offering greater economy and better visual conditions.

Two- and three-lamp luminaires for fluorescent lamps

An advanced range of WideSpread surface-mounted luminaires of high LOR with low brightness and controlled light distribution, permitting extended spacing between luminaires.

RANGE

TCS 429/265/S Luminaire for two 65W 1500mm (5ft) lamps, complete with mirror controller and control gear.
TCS 429/365/S Three-lamp version of the above.

Other non-standard ratings available (in economical order quantities).

Also available in recessed version for special projects.

APPLICATIONS

- Offices
- Shops and department stores
- Banking halls
- Showrooms
- Laboratories
- Assembly and lecture areas

A specially designed mirror reflector system spreads the light to provide economic and comfortable seeing conditions.

TCS 429/265/S Two-lamp luminaire inset-

TCS 429/365/S Three-lamp luminaire

Handbook Ref.

1.25/3

To reorder this Data Sheet quote

9.79 PL 1726/1

Replaces

PL 1726

FLUORESCENT LUMINAIRE

FEATURES

- Shallow – 100mm – the control gear is mounted along the side of the luminaire.
- Aluminium mirror controller system, specially designed to spread the light without glare.
- High light output ratio gives operational efficiency and economy.
- Mirror controller hinges downwards to facilitate lamp changing.
- The TCS mirror controller system permits wider spacing between luminaires, giving economic, aesthetic and lighting benefits (see Data Sheet PL1608).

MATERIALS & FINISH

- Body:** Sheet steel, white finish.
- Mirror controller:** Aluminium alloy with semi-specular reflecting finish; white painted aluminium cross louvres.

RANGE OF OPERATION

- 240V 50Hz.
- Normal indoor conditions.

SPECIFICATION

- Type compliance with BS 4533 2.2 Ordinary Indoor Class I.

To specify state:

- Surface luminaire for 2 (or 3) fluorescent lamps, with mirror controller. To have an LOR of at least 0.69, to be suitable for an SHR (transverse) of up to 2.25 and to have widespread light distribution. Substantially as Philips TCS 429.

LIMITING GLARE INDEX

- BZ Classification is based on Direct Ratio, and can lead to an inappropriate value of Glare Index, especially with luminaires of non-conventional light distribution. A BZ Classification for glare calculations, based on luminance distribution, can be obtained via the CIE Interim System (IES Code App.7). For TCS 429 luminaires, this Classification is BZ 2.

Key to Illustration

- 1 Luminaire end plate with top knockout.
- 2 Slip-fix plates(4).
- 3 Mains entry aperture,
- 4 3-Way terminal block for solid conductors.
- 5 Brackets for suspension rods.
- 6 Suspension rods (2).
- 7 Earth continuity lead for mirror controller.

DIMENSIONS, WEIGHTS & ELECTRICAL DATA

Cat. No. Luminaire, including controller	Rating	Overall	Overall	Overall	Fixing centres (mm) D	Weight with lamps (kg/lb)
		length (mm) A	width (mm) B	depth (mm) C		
TCS 429/265/S	2 x 65W 1500mm (5ft)	1560	312	100	1000	8.2/18.06
TCS 429/365/S	3 x 65W 1500mm (5ft)	1560	468	100	1000	13.8/30.40

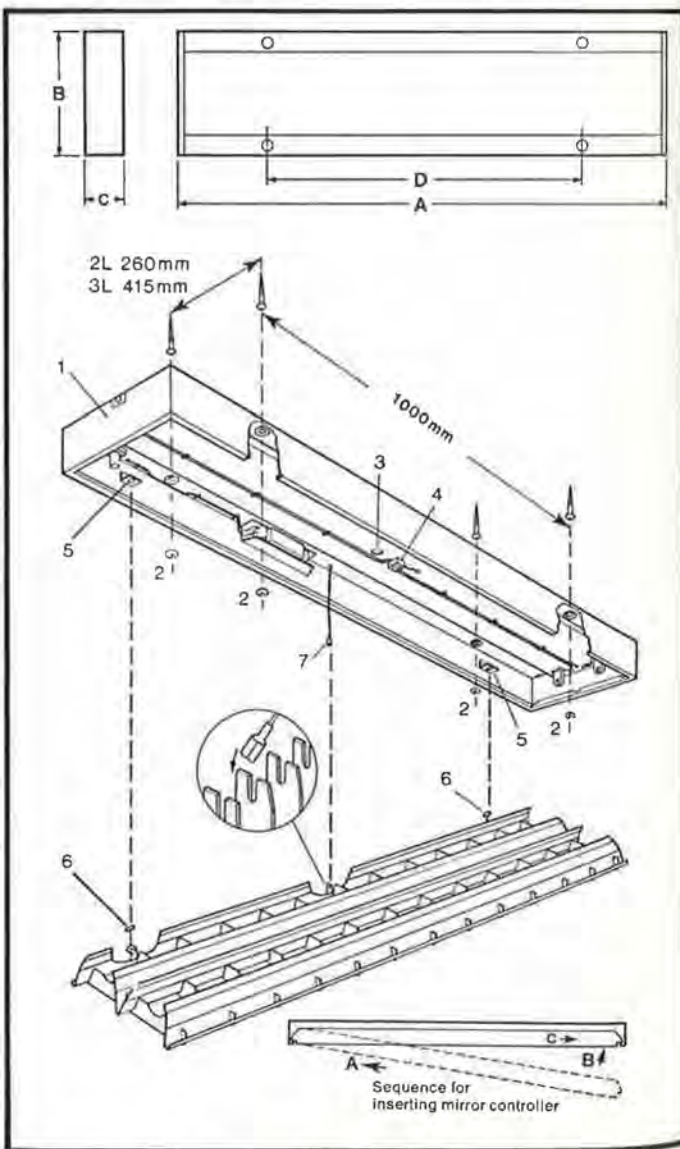
Electrical data

Catalogue No. Luminaire, including controller	Circuit Watts (running)	Circuit current (amperes)
TCS 429/265/S	154	0.73
TCS 429/365/S	241	1.25

Harmonic content

On a balanced 3-phase, 4-wire supply, the current in the neutral conductor does not exceed 3 x 25% of that in any line conductor.

All information quoted relates to average luminaires on a 240V 50Hz supply at 25°C.



ORDERING DATA

Philips Catalogue No.	Description	Packing Quantity
TCS 429/265/S	2 lamp 65W 1500mm surface mounted luminaire	1
TCS 429/365/S	3 lamp 65W 1500mm surface mounted luminaire	1
Replacement spares		
BTP 65L25	240V 50Hz ballast	1
H1651	440V 5.0 mfd 5% capacitor	1

Lamps should be ordered separately.

Please order in the form given in the following example:
50 Philips luminaires TCS 429/265/S

Recommended lamp types

All Philips lamps of appropriate rating may be used in this luminaire. In order to optimise the efficiency of the WideSpread design, however, it is recommended that Colour 84 lamps of the TLH type be used. These triphosphor lamps combine high light output with a high colour rendering index, and contain an amalgam to maintain efficiency at elevated temperatures.

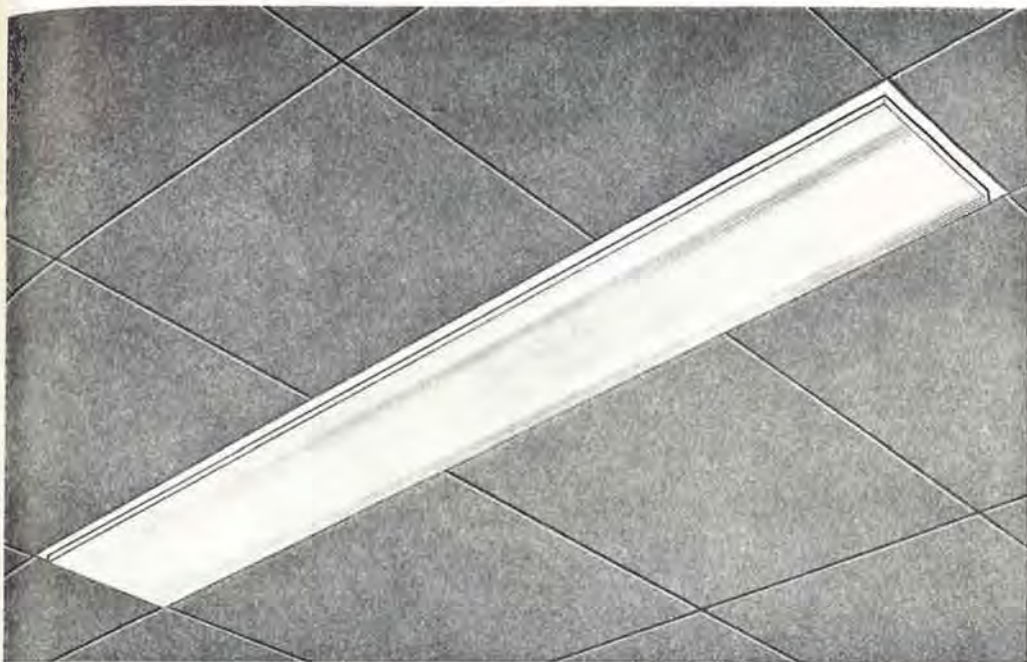
Luminaire: Made in Holland.

CI/SIB
(63.1)UDC
696.6:628.972

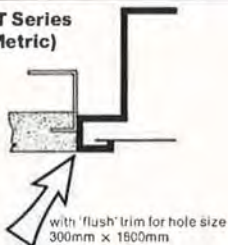
2

WIDESPREAD FT PLANNER

With Linsomatic controller



FT Series (Metric)



WideSpread: a family of high technology luminaires with 'spread' intensity distribution, offering greater economy and better visual conditions.

300mm wide recessed luminaire for fluorescent lamps

A recessed luminaire, suitable for mounting into a 300mm module suspended ceiling. The Linsomatic prismatic controller makes it possible to extend the spacing between luminaires.

RANGE

FT318/TLP/265/S – flush trim
1800mm x 300mm recessed luminaire housing 2 x 65W 1500mm (5ft) lamps. 2 x 65W 1800mm (6ft) available to special order (for cross-noggins not over 25mm).
TLPC318 – 1800mm x 300mm prismatic controller for above.

APPLICATIONS

Suitable for use in commercial premises wherever a suspended ceiling of the concealed suspension type is appropriate, such as:-

- Offices
- Shops and department stores
- Corridors
- Banking halls
- Showrooms
- Assembly or lecture areas.

Since it effectively spreads the light over a wide area, the Linsomatic prismatic controller enables luminaires to be used at extended spacings between rows.

Handbook Ref.

1.25/4

To reorder this Data Sheet quote 9,79 PL1727/2

Replaces PL1727/1

FEATURES

The luminaire provides all the advantages of the 300mm wide Planner series such as:-

- Versatile fixing – it can be suspended from the structural ceiling or supported on an adequately strong suspended ceiling using bearer supports.
- Fits into a 300mm x 1800mm aperture with the flange flush with the underside of the ceiling.
- The control gear is mounted direct to the housing to allow rapid installation. The circuit is switch start. In addition, the Linsomatic prismatic controller permits wider spacing between rows and gives economic, aesthetic and lighting benefits (see Leaflet PL 1608).

MATERIALS & FINISH

Luminaire: Sheet steel, Durawhite stoved finish.

Controller: Clear acrylic sheet, with prisms moulded during manufacture. Side extrusions in opal acrylic; all joints mitred and cemented.

Control gear: Mounted direct to housing.

SPECIFICATION

Type compliance with BS 4533-2.2 Ordinary Indoor Class I (electrical)

To specify state:

Recessed 1800mm x 300mm luminaire for two 65W lamps, with acrylic prismatic controller. To be suitable for a spacing height ratio (transverse) of up to 2.25, and to have a 'spread' light distribution. Substantially as Philips FT Planner with Linsomatic prismatic controller.

FIXING ACCESSORIES

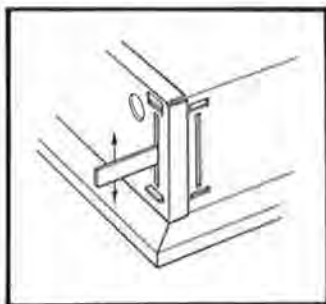
(optional extras)

Suspension plate set – Cat. No. SP1



A set of four dual-purpose suspension plates for use with either 20mm ($\frac{3}{4}$ in.) conduit or 6mm ($\frac{1}{4}$ in.) rods fixed to the structural ceiling (four per luminaire).

Adjustable snap-fix bearer support set – Cat. No. BS1



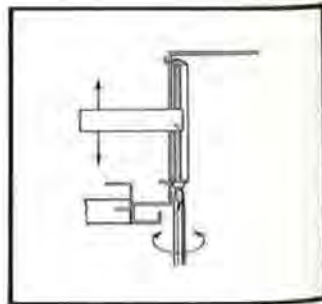
A set of four bearer supports that are snap-fixed into position from inside the housing. The projecting arms bear on the support members of the suspended ceiling.

RANGE OF OPERATION

240V 50Hz.

Normal indoor conditions.

Note: Luminaires may only be fixed to suspended ceilings of adequate strength, and it is therefore necessary to check in advance with the ceiling manufacturer or ceiling erector that the luminaires will be adequately supported, and that the ceiling members are suited to the bearer supports.



Adjusting screws give fine adjustment for lining up the trim with the underside of the ceiling.

DIMENSIONS, WEIGHTS & ELECTRICAL DATA

Dimensions & Weights

Catalogue Numbers		Rating	Over flanges		Over body		Height above face	Weight with lamps (kg/lb)
Luminaire with control gear	Controller		Length	Width	Length	Width		
FT318/TLP/265/S	TLPC318	2 x 65W 1500mm (5ft)	1798mm	298mm	1746mm	248mm	140mm	15-1/33-2

Electrical data

Catalogue Numbers		Circuit Watta (running)	Circuit current (amperes)	Minimum Power Factor
Ballast (fitted)	Capacitor (fitted)			
BCS65 (one per lamp)	H1650 (5 mfd)	154	0.68	0.90 lagging

Harmonic content

On a balanced 3-phase, 4-wire supply, the current in the neutral conductor does not exceed 3 x 25% of that in any line conductor. All information quoted relates to average luminaires on a 240V 50Hz supply at 25°C.



Caters Food Store in Swansea using new 65W Colour 83 lamps in Special Project luminaires.

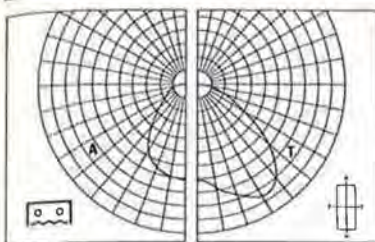


W.H. Smith in Brighton using White 35 lamps in attractive 'WideSpread' Zonalux luminaires.

PHOTOMETRIC DATA

PLANNER FT METRIC

300MM WIDE SPREAD
TWO LAMP CONTROLLER TLPC 318
Mounting: CEILING



CIE Flux Number 254246

SHR MAX (Square) 1.65
SHR MAX TR (Transverse) 2.25

ULORL .00 Multiply by each Service
DLORL .54 Correction Factor
LORL .54

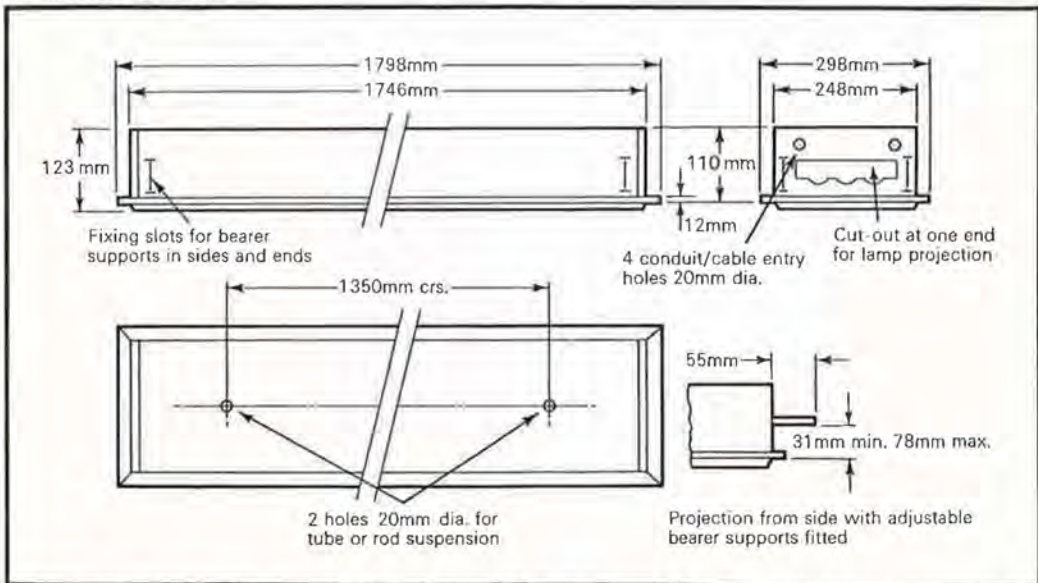
Glare Data (IES)

Flux Fraction Ratio 0
ACG Classification ACG6
For RI = 2.5 at SHR = NOM BZ4
Luminous Area (sq cm)
65W 85W
4425 4425

Measured: BS 5225 Part 1 1975 Calculated: I.E.S. TR 2 and TR 10 Test No: A768 Dated: 77.02.20

Photoset direct from Photometer tape output.

DIMENSIONS & FIXING



Note: For installation, at least 125mm clearance should be allowed for above the lower surface of suspended ceilings.

Service Correction Factors

	65W 1500mm	85W 1800mm		
Rating Factor	1.05	1.00		
Amalgam Factor	1.13			
Ballast Lumen Factor SS	0.99			
Ballast Lumen Factor XS	0.95	0.96		

Utilization Factors UF (F)

SHR NOM 1.50

Room Reflectances			Room Index								
C	W	F	0.75	1.0	1.25	1.5	2.0	2.5	3.0	4.0	5.0
70	50	10	32	35	39	41	45	47	48	50	52
	30		28	32	36	38	42	44	46	48	50
	10		25	29	33	36	39	42	44	46	49
50	50	10	31	35	38	40	44	46	47	49	51
	30		28	31	35	38	41	43	45	47	49
	10		25	29	33	35	39	42	43	46	48
30	50	10	30	34	37	39	43	44	46	48	49
	30		27	31	35	37	40	43	44	46	48
	10		25	29	32	35	39	41	43	45	47
0	0	0	24	28	31	34	37	40	41	44	46

Utilization Factors UF (F)

SHR 2.25 TR x 1.50 AX

Room Reflectances			Room Index								
C	W	F	0.75	1.0	1.25	1.5	2.0	2.5	3.0	4.0	5.0
70	50	10	-	-	41	43	46	48	49	51	52
	30		-	-	38	40	43	45	47	49	50
	10		-	-	35	38	41	43	45	47	49
50	50	10	-	-	40	42	45	47	48	50	51
	30		-	-	37	39	43	45	46	48	49
	10		-	-	35	37	41	43	44	47	48
30	50	10	-	-	39	41	44	46	47	48	50
	30		-	-	37	39	42	44	45	47	48
	10		-	-	35	37	40	42	44	46	47
0	0	0	-	-	34	36	39	41	43	45	46

ORDERING DATA

Cat. No.	Description	Packing quantity
FT318/TLP/265/S	Luminaire body only (c/w gear) 2 x 65W	One per box
TLPC318	Linsomatic controller	Two per box
Optional accessories		
SP1	Suspension plates (two per luminaire)	Sets of four
BS1	Adjustable bearer support set (four per luminaire)	Sets of four

Lamps should be ordered separately.

Please order in the form given in the following example, in multiples of the packing quantity:-

50 Philips luminaire bodies FT318/TLP/265/S

50 Philips Linsomatic controllers TLPC318

25 Philips suspension plate sets SP1

Recommended lamp types.

All Philips lamps of appropriate rating may be used in this luminaire. In order to optimise the efficiency of the WideSpread design, however, it is recommended that Colour 84 lamps of the TLH type be used (65W lamps available only). These triphosphor lamps combine high light output with a high colour rendering index, and contain an amalgam to maintain efficiency at elevated temperatures. TLH lamps are for switch start circuits only.

Luminaire: Made in Great Britain

Controller: Made in West Germany.

WIDESPREAD ET PLANNER

with
Acrylic Linsomatic Controller

WideSpread: a family of high technology luminaires with widespread intensity distribution, offering greater economy and better visual conditions.

Recessed luminaire for fluorescent lamps, for exposed-tee ceilings, 1200 x 600mm

A recessed luminaire suitable for use in exposed-tee suspended ceiling systems. The Linsomatic prismatic controller makes it possible to extend the spacing between luminaires.

RANGE

ET 612/440/S ET Planner recessed luminaire complete with control gear, taking 4 x 40W 1200mm (4ft) lamps, suitable for 1200mm x 600mm exposed-tee ceilings of adequate strength.

TLEPC 612 Linsomatic Prismatic controller for the above.

APPLICATIONS

Suitable for use in commercial premises wherever an exposed-tee suspended ceiling is appropriate, such as:-

- Offices
- Shops and department stores
- Banking halls
- Showrooms
- Assembly or lecture areas.

Since it effectively spreads the light over a wide area, the Linsomatic prismatic controller enables a reduced number of luminaires to be used at wide spacings.



Handbook Ref.

1.25/5

To reorder this Data Sheet quote .10.79:PL.1728/2

Replaces

PL1728/1

FEATURES

The luminaire provides all the advantages of the standard ET Planner, such as:-

- The body of the luminaire sits on the ceiling structure itself – fixing is easy and costs of installation reduced.
- Luminaires can be fixed after the ceiling is erected, to suit the layout of the floor area.
- Luminaires run in the same direction as the main tee-bar supports.
- Luminaires can be fixed without cutting into the main supports and can be repositioned if the floor area alters.
- The body is supported along its full length, giving built-in security.
- Inner and outer lamps are wired as to two separate fused terminal blocks joined by a removable link. This gives the facility for half/full switching.
- The controller is installed from beneath and simply lies on the tee-bar flats. Spring catches position it easily in the aperture and permit panels to be hinged downwards for lamp changing.

In addition the Linsomatic prismatic controller permits wider spacing between luminaires, giving economic, aesthetic and lighting benefits (see Leaflet PL 1608).

MATERIALS & FINISH

Controller: Clear acrylic sheet, with prisms moulded during manufacture, with plated locating clips and hinges.

Control gear: Mounted on a central hinged and detachable panel.

SPECIFICATION

■Type compliance with BS 4533 2.2 Ordinary Indoor Class I.

To specify state:

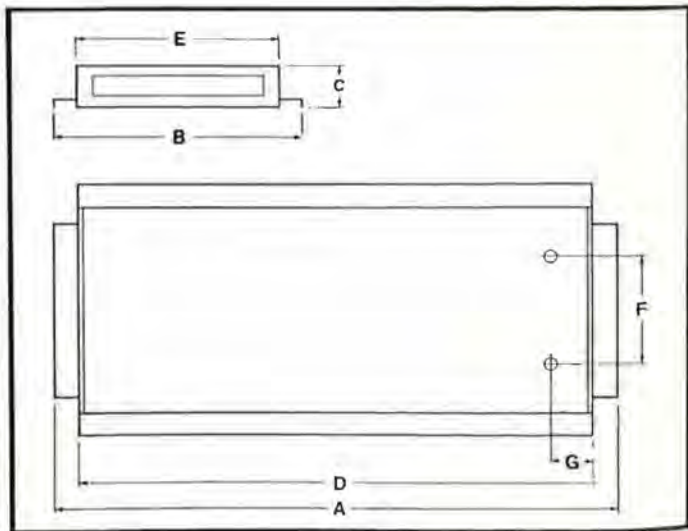
Recessed luminaire for exposed-tee ceilings, with separate prismatic controller, to be suitable for a spacing/height ratio (transverse) of at least 2.0, and to have widespread light distribution. Substantially as Philips ET Planner with acrylic Linsomatic controller.

RANGE OF OPERATION

240V 50Hz.

Normal indoor conditions.

For exposed tee ceilings of "tee" height not less than 38mm in both directions and of tee face width of 24/25mm.



DIMENSIONS & WEIGHT

Rating	Dimensions (mm/in)		C	D	E	F	G	Weight with Lamps (kg/lb)
	A	B						
4 x 40W 1200mm (4ft)	1272/50.08	620/24.41	76/3.0	1173/46.18	558/21.97	280/11.02	140/5.51	15.5/34.1

Notes:-Centralising tags on the side flanges of luminaire bodies are arranged to give positive location on the main tee-bars of ceilings-
Minimum ceiling clearance 135mm.

ELECTRICAL DATA

Catalogue Nos. Ballast	Starter	Capacitor	Circuit Watts (running)	Circuit current (amperes)
BCS 40	S10/(K 3001)	H1635	204	1.0

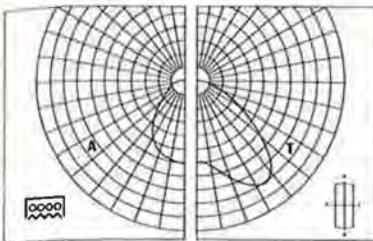
Harmonic content

On a balanced 3-phase, 4-wire supply, the current in the neutral conductor does not exceed 3 x 25% of that in any line conductor. All information quoted relates to average luminaires on a 240V 50Hz supply at 25°C.

PHOTOMETRIC DATA

PLANNER ET METRIC

600MM WIDE FOUR LAMP CONTROLLER TLEPC 612
Mounting: CEILING



CIE Flux Number

264451

SHR MAX (Square) 1.50
SHR MAX TR (Transverse) 2.30

ULORL .00 Multiply by each Service
DLORL .53 Correction Factor
LORL .53

Glare Data (IES)

Flux Fraction Ratio 0
ACG Classification ACG6
For RI = 2.5 at SHR = NOM B24
Luminous Area (sq cm)
40W
6036

Service Correction Factors

	40W 1200mm			
Rating Factor	1.00			
Amalgam Factor	1.15			
Ballast Lumen Factor SS	1.00			
Ballast Lumen Factor XS				

Utilization Factors UF (F)

SHR NOM 1.50

Room Reflectances			Room Index								
C	W	F	0.75	1.0	1.25	1.5	2.0	2.5	3.0	4.0	5.0
70	50	10	32	36	39	43	45	47	48	50	52
	30		28	32	36	40	42	45	46	48	50
	10		26	29	33	38	40	43	45	47	49
50	50	10	31	35	38	42	44	46	47	49	50
	30		28	32	35	40	42	44	45	48	49
	10		26	29	33	38	40	42	44	46	48
30	50	10	30	34	37	41	43	45	46	48	49
	30		28	31	35	39	41	43	45	47	49
	10		25	29	33	37	39	42	43	46	48
0	0	0	25	28	32	36	38	40	42	44	46

Utilization Factors UF (F)

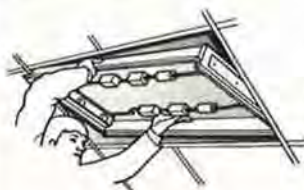
SHR 2.30 TR \times 1.25 AX

Room Reflectances			Room Index								
C	W	F	0.75	1.0	1.25	1.5	2.0	2.5	3.0	4.0	5.0
70	50	10	-	-	40	43	46	48	49	51	52
	30		-	-	37	40	43	46	47	49	50
	10		-	-	35	38	41	44	45	48	49
50	50	10	-	-	40	42	45	47	48	49	50
	30		-	-	37	39	43	45	46	48	49
	10		-	-	35	37	41	43	45	47	48
30	50	10	-	-	39	41	44	46	47	48	49
	30		-	-	36	39	42	44	45	47	49
	10		-	-	35	37	41	43	44	46	48
0	0	0	-	-	34	36	39	41	43	45	46

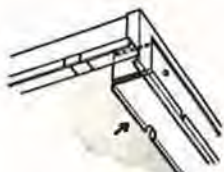
Measured: BS 5225 Part 1 1975 Calculated: I.E.S. TR 2 and TR 10 Test No: A735 Dated: 77.04.07

Photoset direct from Photometer tape output.

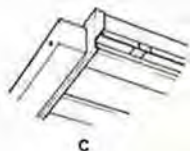
SIMPLE INSTALLATION



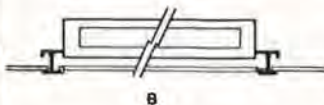
A. The luminaire, supplied with the lampholder boxes collapsed into the body, is offered into the ceiling aperture. When the side flanges are properly located on the main tee-bars, the lampholder boxes are pushed outwards into the working position.



B. End view of an installed luminaire, showing how the side flanges engage with the main tee-bar ceiling supports. The controller panel can be seen resting on the tee-bar flats.



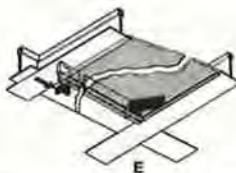
C. Detail of a luminaire, showing a side flange and a lampholder box in the operating position.



D. The controller panel is hung vertically on the cross-tee flats on the ends of the two spring clips.



E. The panel is swung into the horizontal position and is pressed forwards against the spring clips by means of the lock tabs until the lip of the panel clears the cross-tee. The panel is therefore firmly secured by the lock tabs against spring pressure from the clips.



1. For use only with 25mm wide grid tee section.
2. Module dimensions of grid centres must be to ± 1 mm tolerance.

ORDERING DATA

Description	Catalogue Number	Packing quantity
Planner luminaire	ET 612/440/S	1
Linsomatic controller	TLEPC 612	2

Lamps should be ordered separately.

Please order in the form given in the following example, in multiples of the packing quantity:

50 Philips Planner luminaires ET 612/440/S.

50 Philips Linsomatic controllers TLEPC 612.

INSTALLER'S IMPORTANT NOTE

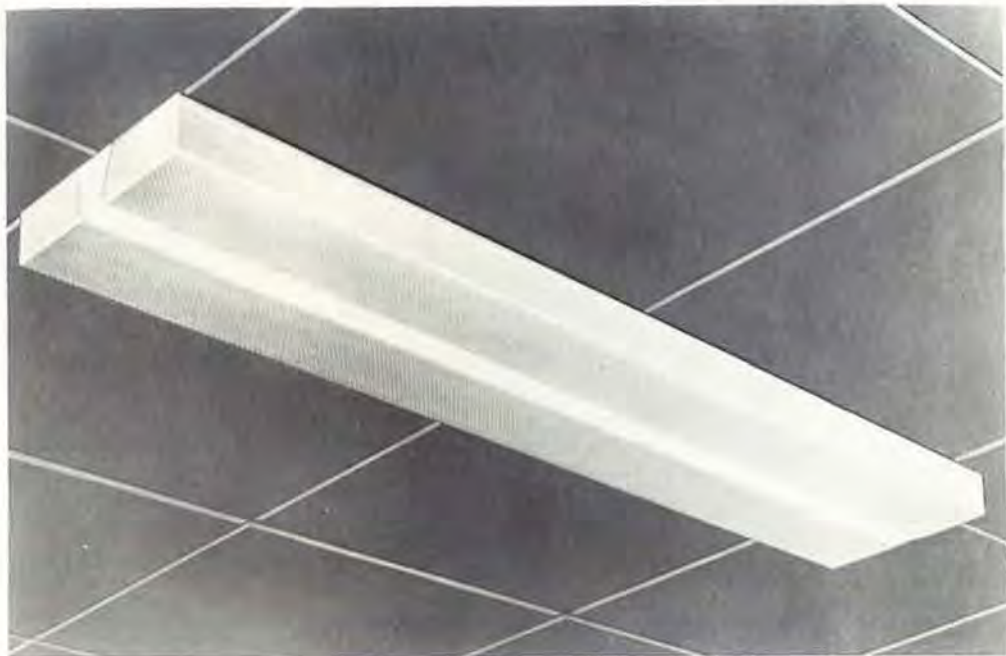
Ceiling opening sizes are critical to satisfactory fitting of the controller. It is essential to ensure that the net ceiling opening sizes for the luminaires are not GREATER than 1200 × 600 nom: 1176 × 576 mm.

Luminaire: Made in Great Britain
Controller: Made in Great Britain and
West Germany

CI/SIB	(63.1)
UDC	696.6 : 628.972

WIDESPREAD ZONALUX

Surface luminaires with
acrylic prismatic controllers



ZX12/240PC/S

Wide Spread: a family of high technology luminaires with 'spread' intensity distribution, offering greater economy and better visual conditions than ordinary luminaires.

A range of shallow surface luminaires with clear acrylic controllers for indoor installations. One-piece prismatic controllers have prismatic end caps and central opal stripe to enhance appearance. Controllers are gasketed to exclude dirt and dust.

RANGE

2-lamp 40W 1200mm (4ft) switchstart
2-lamp 65W 1500mm (5ft) switchstart
2-lamp 85W 1800mm (6ft) starterless (SRS)

Suitable for individual mounting, or continuous mounting.

2 x 65W and 2 x 85W ratings are also available as plug-in versions for use with Featureline trunking.

APPLICATIONS

Suitable for most indoor installations such as:-

- Boardrooms
- Offices
- Banking halls
- Shops and department stores

Although bold in appearance to suit spacious premises such as banks, the luminaires are shallow, making them also suitable for modern premises with low ceilings.

Handbook Ref.

1.2.5/6

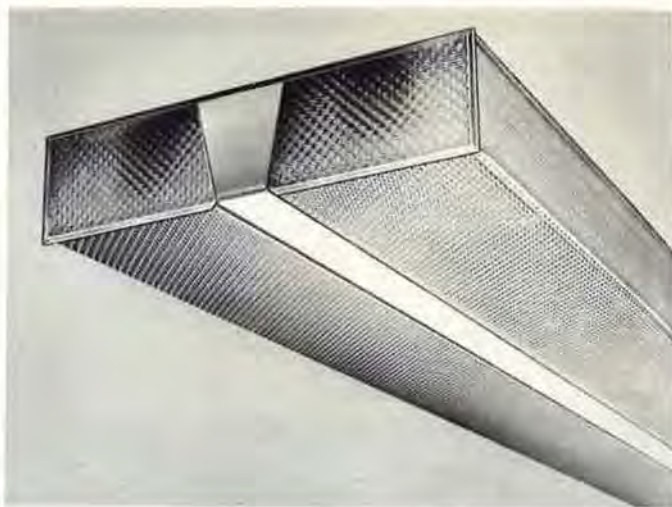
To reorder this data sheet quote 9.79 PL 1854/1

Replaces

PL 1854

FEATURES

- Shallow depth (75mm/2.95in.) permits use with modern, low ceilings and provides an alternative to a recessed luminaire.
- Easy to install and maintain.
- Two-tone acrylic controller combines distinguished appearance with high light output and glare control.
- Wide spacing makes possible reduced number of rows
- Gasket sealing of controller to body ensures a high maintenance factor.
- The controller is supported along its full length, and hinges down on either side to simplify lamp changing.
- Suitable for individual or continuous mounting. When luminaires are mounted continuously, individual controllers are easily removed for lamp changing.
- Optional controller spacers make a neat join between luminaires mounted end-to-end.



MATERIALS & FINISH

Batten: Sheet steel body. Durawhite stoved finish.

Control gear: Low-loss ballasts attached with nuts and studs, and fused terminal block with capacity for 2.5mm² cable in each way. Control gear and wiring are concealed by internal reflector.

Controller and end caps: Clear acrylic extruded controller with internal linear prisms on sides. Base contains central opal stripe co-extruded with well-defined pyramid prismatic base. Matching injection-moulded end caps are pre-attached.

SPECIFICATION

- Type compliance with BS 4533 2.2
- Ordinary Indoor Class I

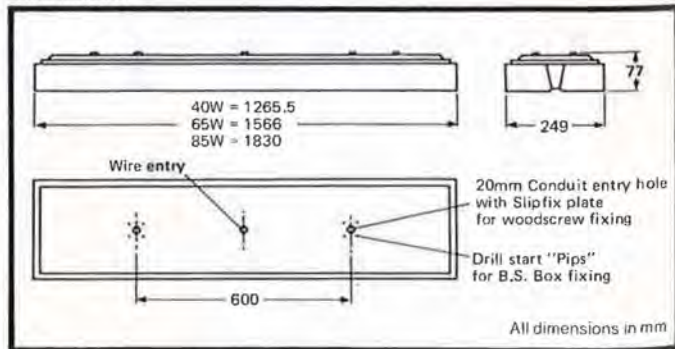
To specify state:

Two-lamp surface-mounted luminaires for fluorescent lamps, complete with acrylic controller, and with overall depth less than 76mm. Substantially as Philips Zonalux.

RANGE OF OPERATION

240V 50Hz. Normal indoor conditions.

DIMENSIONS



DIMENSIONS & WEIGHTS

Catalogue Numbers			Dimensions (mm)			Fixing Centres (mm)	Weight (kg)
Complete Luminaire	Batten Only	Controller Only	Length	Width	Depth		
ZX12/240PC/S	ZX12/240S	ZPC12	1265.5	249	75	600	5.8
ZX15/265PC/S	ZX15/265S	ZPC15	1566	249	75	600	8.4
ZX18/285PC/X	ZX18/285X	ZPC18	1830	249	75	600	9.2

Continuous mounting

A spacer, ZSP1, is available to make a neat join between continuously-mounted controllers. It is not possible to through-wire continuous runs.

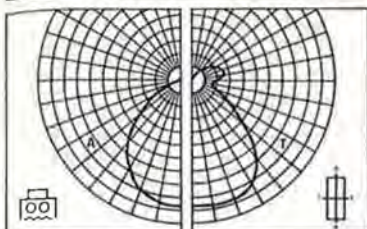
Individual mounting

Zonalux luminaires can be close-mounted to the ceiling by BS box, using the drill starts provided. Cable entry is central, and conduit tube suspensions/wood screw fixings, using slipfix plates provided, are at 600mm centres.

PHOTOMETRIC DATA

ZONALUX PRISMATIC 2 LAMP

ACRYLIC	PRISMATIC	CONTROLLER
Mounting: SUSPENDED		



CIE Flux Number 284450

SHR MAX	(Square)	1.69
SHR MAX TR	(Transverse)	1.91

ULORL	.13	Multiply by each Service Correction Factor
DLORL	.53	
LORL	.66	

Glare Data (IES)

Flux Fraction Ratio	.25	
ACG Classification	ACG5	
For RI = 2 at SHR = NOM	BZ4	
Luminous Area (sq cm)		
40W	65W	85W
3950	4650	6200

Measured:	BS 5225 Part 1 1975
Calculated:	I.E.S. TR 2 and TR 10
Test No:	B079
Dated:	78.11.08

Photoset direct from Photometer tape output.

Service Correction Factors

	mm	40W 1200mm	65W 1500mm	85W 1800mm	mm
Rating Factor		1.05	1.00	0.97	
Amalgam Factor		1.12	1.13		
Ballast Lumen Factor SS		1.00	0.99		
Ballast Lumen Factor XS				0.96	

Utilization Factors UF (F)

Room Reflectances			Room Index								
C	W	F	0.75	1.0	1.25	1.5	2.0	2.5	3.0	4.0	5.0
70	50	10	37	41	45	48	52	54	56	58	60
	30		33	37	42	44	48	51	54	56	58
	10		30	34	39	42	46	49	51	54	57
50	50	10	35	39	43	45	48	51	53	54	56
	30		31	35	40	42	46	48	51	53	55
	10		29	33	37	40	44	46	49	51	53
30	50	10	33	37	40	42	45	47	49	51	52
	30		30	34	38	40	43	46	48	49	51
	10		28	31	35	38	41	44	46	48	50
0	0	0	25	29	32	34	38	40	42	43	46

Multiply by each Service Correction Factor

ELECTRICAL DATA

Rating	Ballast Catalogue No.	Capacitor	Total Circuit Watts	Circuit current (A)	Minimum Power factor
2 x 40W 1200mm (4ft) SS	2 x BCS40	2 x 3.5 mfd 10% 250V	104	0.46	0.9
2 x 65W 1500mm (5ft) SS	2 x BCS65	2 x 5.5 mfd 10% 250V	154	0.68	0.9
2 x 85W 1800mm (6ft) XS	2 x BBXK85	2 x 8.4 mfd 5% 250V	192	0.92	0.9

All information quoted relates to average luminaires on a 240V 50Hz supply at 25°C. All control gear is designed to have an adequately low harmonic content. On a balanced 3-phase 4-wire supply, the current in the neutral does not exceed 3 x 25% of that in any line conductor.

ORDERING DATA

Catalogue No.	Description	Batten only	Controller only
ZX12/240PC/S	2 x 40W 1200mm (4ft) SS	ZX12/240S	ZPC12
ZX15/265PC/S	2 x 65W 1500mm (5ft) SS	ZX15/265S	ZPC15
ZX18/285PC/X	2 x 85W 1800mm (6ft) XS	ZX18/285X	ZPC18
TZX/265PC/S*	2 x 65W 1500mm (5ft) SS Plug-in	TZX265S	ZPC15
TZX/285PC/S*	2 x 85W 1800mm (6ft) XS Plug-in	TZX285S	ZPC18

*plug-in versions M.O.Q. 50

Optional accessory

ZSP1 Spacer for continuous mounting

Please order in the form given in the following example, in multiples of the packing quantity:-

20 Philips Zonalux luminaires ZX15/265PC/S

20 Philips Zonalux spacers ZSP1

Note that lamps should be ordered separately,

Packing quantities

Battens: Individually packed.

Controllers: Individually packed.

Spacers: 5

Made in UK.